



WD12.5G & WD16G

Wet & Dry Vacuum Cleaner

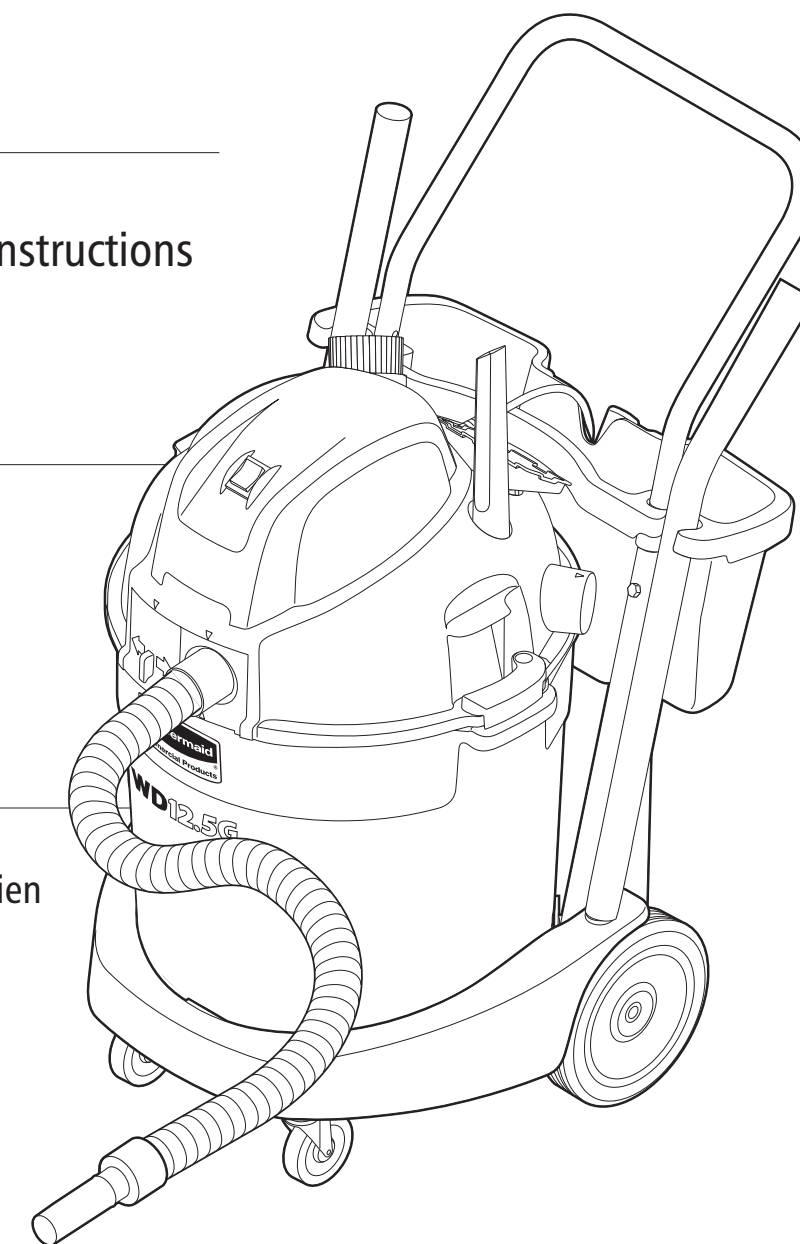
Owner's Manual
Operating and Maintenance Instructions

Aspirador de Líquidos y Polvo

Manual Del Propietario
Instrucciones de Funcionamiento y
de Mantenimiento

Aspirateur de Liquides et Poussières

Le Manuel du Propriétaire
Instructions d'Utilisation et d'Entretien



**SAVE THESE INSTRUCTIONS
GUARDE ESTAS INSTRUCCIONES
CONSERVER CES INSTRUCTIONS**

Products manufactured under quality management system registered to ISO 9001:2000
Los productos están fabricados según el sistema de gestión de calidad registrado con la norma ISO 9001:2000
Produits fabriqués selon un système de gestion de la qualité ISO 9001:2000

Printed in China/Impreso en China/Imprimé en Chine
Model no./N.º de modelo/Nº de modèle :
Model No. : 9VWD-12, 9VWD-16
SKU no./N.º de SKU/Nº SKU :
9VWD1200, 9VWD1600



©2008 Rubbermaid Commercial Products LLC
A **Newell Rubbermaid** Company
Rubbermaid Commercial Products LLC
Winchester, VA 22601 U.S.A.
www.rcpworksmarter.com #70-9VWD-12

**FOR COMMERCIAL USE
PARA USO COMMERCIAL
UTILISATION COMMERCIALE**

Customer Service • Atención al Cliente • Service Clientèle
1-866-524-5233
www.rcpworksmarter.com

Work Smarter.



ENGLISH

SPANISH - pg. 20

FRENCH - pg. 40

ENGLISH

Congratulations!

Welcome to the world of smarter vacuums. As the proud new owner of Rubbermaid Commercial Product's wet/dry vacuum cleaner, you can rest assured that you have purchased a convenient, efficient, and high-quality product. As with all of our products, your vacuum cleaner is backed by our uncompromising commitment to customer satisfaction.

For more Rubbermaid best-in-class products, visit our website at www.rcpworksmarter.com.

Table of Contents

Warranty	3
Troubleshooting	3
Safety Instructions	4
Maintenance.....	5
Electrical Grounding.....	5
Package Contents	6
Parts List.....	6
Assembled Views.....	7
Reorder Numbers.....	7
Assembly.....	8
Wet/Dry Selection	13
Dry Mode Operation.....	13
Emptying Dry Tank.....	14
Wet Mode Operation	15
Optional Increased Wet Capacity.....	15
Emptying Wet Tank	16
Blower Mode Operation.....	17
Liquid Overflow Protection.....	17
Replacing HEPA Filter/HEPA Foam Sleeve.....	18
Replacing Small and Large Foam Filter.....	19

One (1) Year Limited Warranty

To the consumer, Rubbermaid Commercial Products, LLC (RCP) warrants to the original owner that this product is free from defects in material and workmanship for a period of one (1) year from the date of the original purchase. If, within the one (1) year period, this product becomes defective when used as directed under normal conditions, RCP will either repair or replace the product—at our option—when it is returned complete (postage prepaid and insured) to an authorized service center. Product must be accompanied by a proof of purchase—a bill of sale, receipted invoice, or other proof that the product is within the warranty period—to obtain warranty service. RCP shall bear the cost of repairing/replacing the product and shipping it back to you. **RCP makes no other warranties, express or implied, concerning the product or the merchantability or fitness thereof for any purpose.**

This warranty does not apply to product that has been damaged as a result of improper maintenance, accident or other misuse. This warranty is void if the product is repaired or modified in any way by anyone other than an authorized service center. This warranty also does not cover normal wear items such as the following: brush, brush rolls, switches, belts, bags, filters, power cords, casters, wheels, and gaskets. This warranty does not cover unauthorized repairs. **In no event shall RCP be liable for incidental or consequential damages.**

For product replacement information, or questions regarding replacement parts, please contact customer service directly (within USA & Canada) at 1-866-524-5233.

Legal rights vary from state to state, so the above limitations may not apply to you if precluded by local law.

Troubleshooting

Problem	Reason	Solution
Vacuum cleaner won't run:	1. ON/OFF switch is in "OFF" position.	1. Press switch to "ON" position.
	2. Power cord not firmly plugged into outlet.	2. Ensure that plug is securely inserted into electrical outlet.
	3. Blown fuse or tripped breaker.	3. Replace fuse/reset breaker.
	4. Motor does not work.	4. Please contact customer service or authorized service center.
	5. Broken switch.	5. Please contact customer service or authorized service center.
Vacuum cleaner won't pick up/low suction:	1. HEPA and/or foam filters are clogged.	1. Replace filter(s).
	2. Float valve is closed.	2. Empty liquid from tank.
	3. Tank is full.	3. Empty tank.
	4. Hose is obstructed.	4. Remove obstruction.
	5. Hose is punctured.	5. Replace hose.
Dust escaping from vacuum cleaner:	1. HEPA filter not installed correctly.	1. Confirm HEPA filter is installed correctly.
	2. HEPA filter is clogged.	2. Replace HEPA filter.
	3. HEPA filter is damaged.	3. Replace HEPA filter.

ANY OTHER SERVICING SHOULD BE DONE BY AN AUTHORIZED SERVICE REPRESENTATIVE

Customer Service (1-866-524-5233)

In the event further assistance is required, please call the customer service number above, or contact an authorized service center. Proof of purchase will be required before service is rendered. Transportation charges to and from the repair location must be paid by the purchaser. For quick troubleshooting, please go to www.rcpworksmarter.com.

This warranty does not apply outside of the fifty United States and Canada. This warranty excludes repairs to parts or systems resulting from unauthorized modifications made to the vacuum cleaner.

Important Safety Instructions

SAVE THESE INSTRUCTIONS

When using an electrical appliance, basic precautions should be followed, including the following:

⚠ WARNING

Read all instructions before using vacuum cleaner. Use only as described in this manual, and follow all label and marking instructions found on unit. Failure to do so may result in serious injury or death.

TO REDUCE THE RISK OF FIRE, ELECTRICAL SHOCK, OR INJURY:

- Indoor use only. Store indoors.
- **DO NOT** expose to rain.
- Fully assemble before operating.
- **DO NOT** use without filters installed.
- **DO NOT** leave unattended when plugged in. Unplug from outlet when not in use, and before servicing.
- **DO NOT** use outdoors or on wet surfaces. **DO NOT** handle vacuum cleaner or plug with wet hands.
- Only plug vacuum cleaner into a properly grounded outlet. See grounding instructions.
- **DO NOT** unplug by pulling on power cord. To unplug from an outlet, pull by the plug, not the cord.
- **DO NOT** use with damaged cord or plug.
- **DO NOT** pull or carry by cord, use cord as a handle, close a door on cord, or pull cord around sharp edges or corners. **DO NOT** run vacuum cleaner over power cord. Keep cord away from heated surfaces.
- **DO NOT** use with an extension cord.
- Turn on/off switch to "off" before unplugging.
- **DO NOT** leave power cord lying on floor when not in use. It can become a tripping hazard
- **DO NOT** use to pick up flammable or combustible liquids. **DO NOT** use in areas where these substances may be present. Electrical devices produce arcs or sparks that can cause explosions. **DO NOT** use anywhere that gasoline is dispensed.
- **DO NOT** use in an enclosed space where flammable, explosive, or toxic vapors are given off by oil base paint, paint thinner, certain mothproofing substances, or in an area where flammable dust is present.
- **DO NOT** pick up toxic/carcinogenic/hazardous materials such as chlorine, bleach, drain cleaner, gasoline, asbestos, pesticides, or lead.
- **DO NOT** pick up any materials that are burning or smoking, such as cigarettes, matches, or hot ashes.
- During use, keep hose, wands, and other openings away from your face and body. Keep hands, feet, hair, loose clothing, and other body parts away from moving parts.
- **DO NOT** put any object into openings. **DO NOT** use with any opening blocked; keep free of dust, lint, hair, or anything that may reduce air flow.
- Only use manufacturer's recommended attachments.
- Use with caution on stairs.
- Use with caution when vacuuming over area rug edges and fringe.
- **DO NOT** allow to be used as a toy. Close attention is necessary during use by or around children.
- Always install float before any wet pick-up operation.
- Use handle only to push or pull unit—not to lift.

Important Safety Instructions (cont.)

- If vacuum cleaner is not working as it should—or has been dropped, damaged, left outdoors, or exposed to water—discontinue use immediately and take it to a service center for inspection. Call 1-866-524-5233 to find a location near you.

⚠ WARNING

This product contains chemicals known to the State of California to cause cancer, birth defects, and other reproductive harm. Wash hands after handling.

Maintenance

Proper maintenance of your vacuum cleaner will assure continued effective cleaning performance.

1. Always use genuine Rubbermaid Commercial Products replacement parts.
2. Empty tanks frequently.

When working with fine dust such as dry wall dust, flour, baby powder, etc. ensure HEPA filter is in place and replaced often.

Electrical Grounding

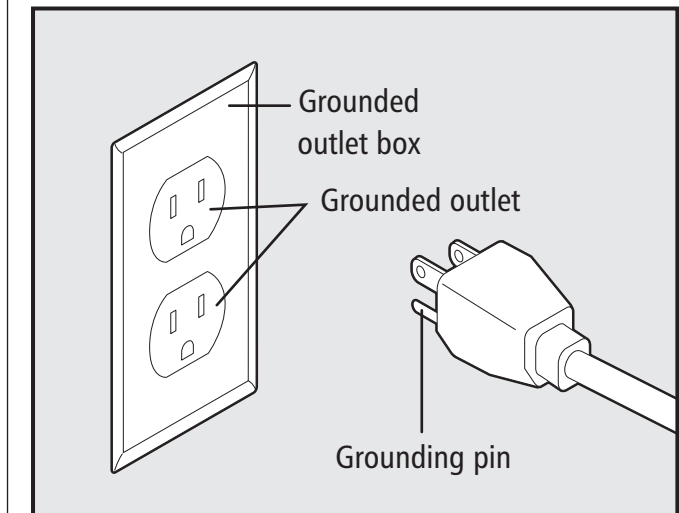
This appliance must be grounded. Should the unit malfunction, grounding provides a path of least resistance for the electric current. This reduces the risk of electric shock. This appliance is equipped with a cord having an equipment-grounding conductor, and a grounding plug. The plug must be inserted into an appropriate outlet that is properly installed and grounded in accordance with all local codes and ordinances.

⚠ WARNING



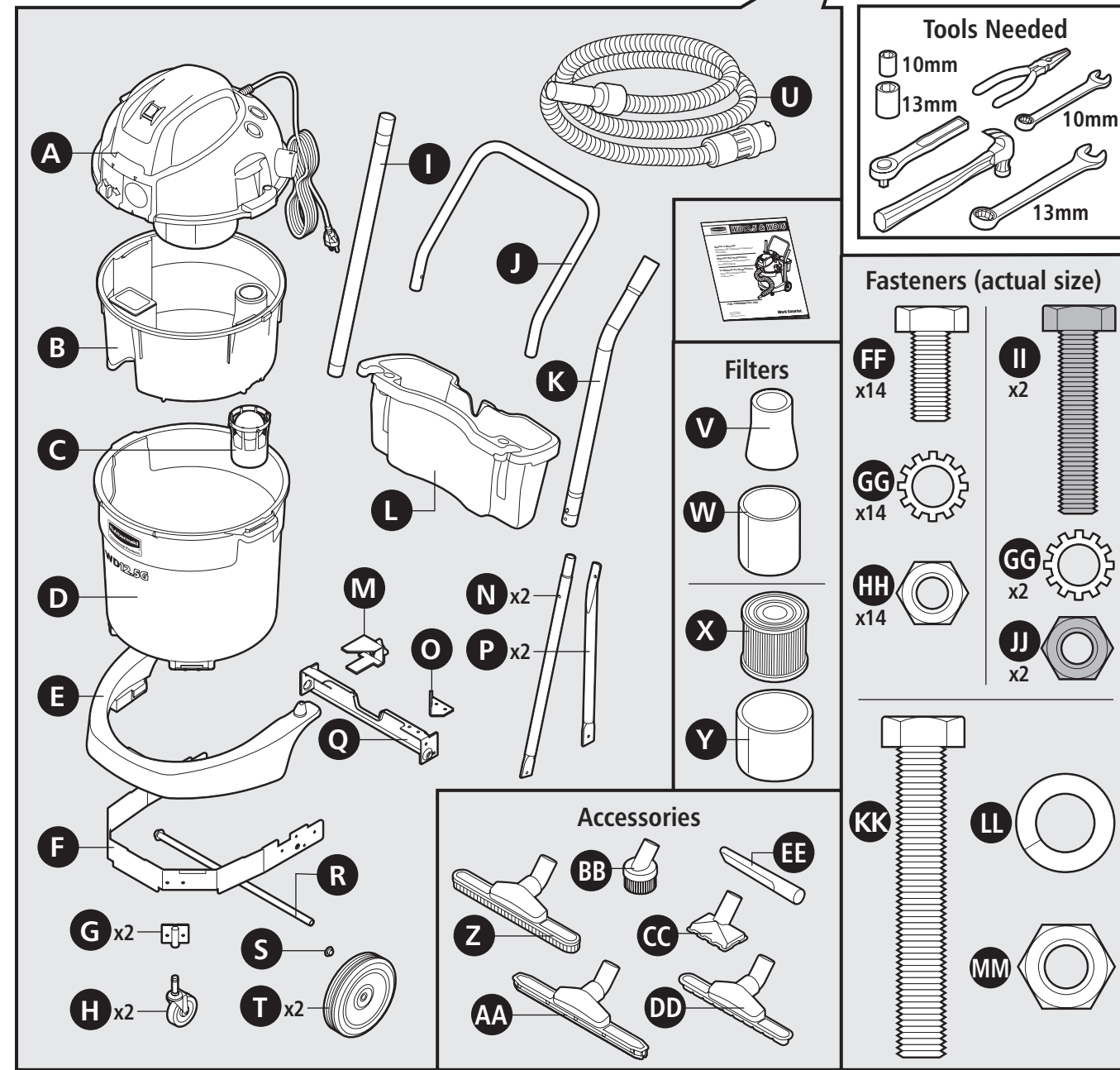
ELECTRICAL SHOCK HAZARD
Improper connection of the equipment-grounding conductor can result in a risk of electrical shock. Check with a qualified electrician or service person if you are unsure if an outlet is properly grounded. **DO NOT** modify the plug provided with the appliance to fit an outlet, have a proper outlet installed by a qualified electrician.

This appliance is for use on a nominal 120-volt circuit and has a grounding attachment plug that looks like the plug illustrated in the sketch below. Make sure that the appliance is connected to an outlet having the same configuration as the plug. No adaptor should be used with this appliance.



Package Contents

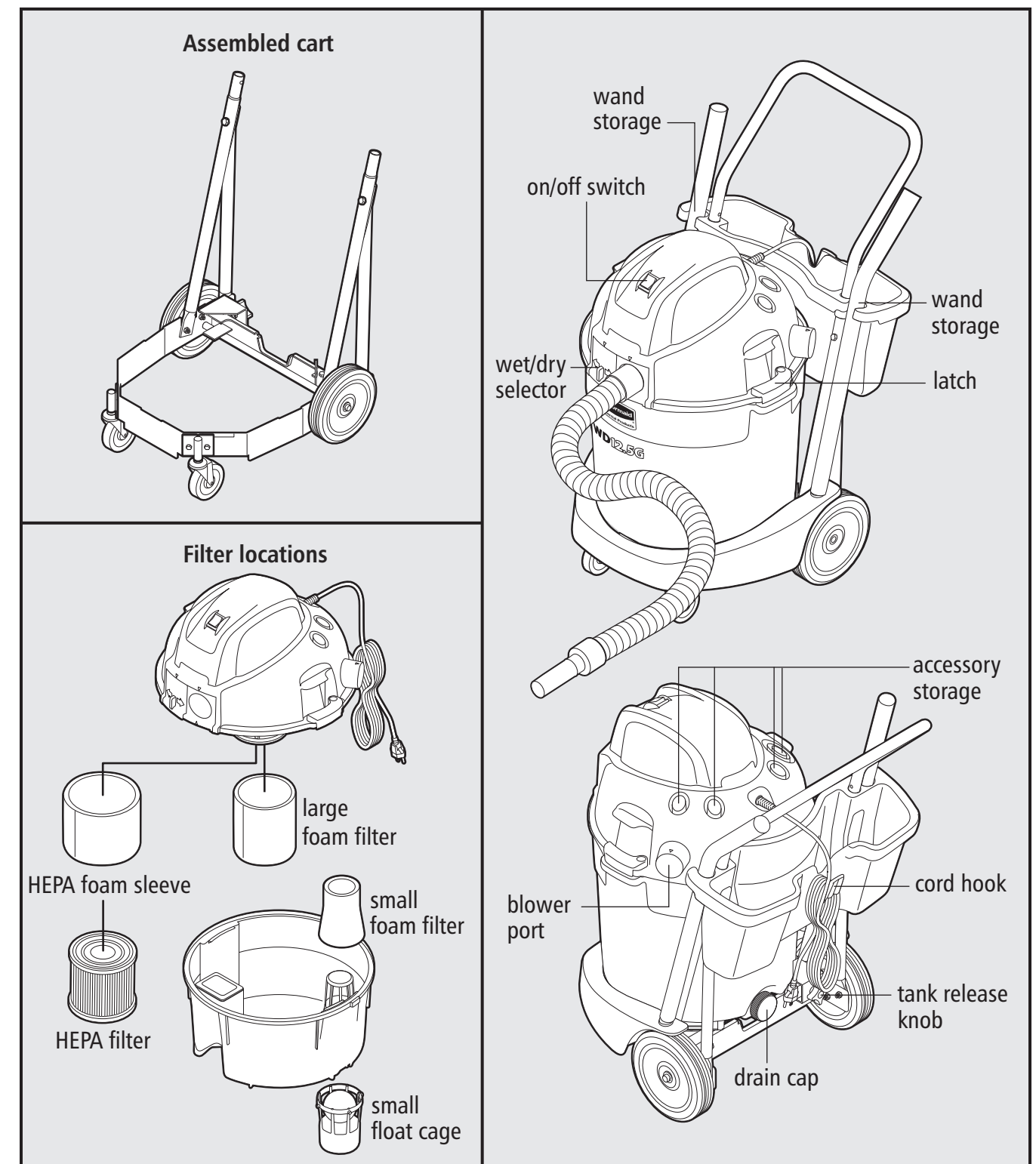
Please confirm that all items shown in the image below are included in the packaging. If any parts are missing, please call customer service at 1-866-524-5233.



Parts List

- | | | | | |
|---------------------------|---------------------------------|----------------------------|---------------------------|------------------------------|
| A powerhead | I straight wand | Q axle support | X HEPA filter | FF small screw |
| B inner tank | J handle | R axle | Y HEPA foam sleeve | GG star washer |
| C small float cage | K bent wand | S cap nut | Z floor brush | HH small nut |
| D outer tank | L caddy | T wheel | AA squeegee | II black coated screw |
| E bumper | M tank retaining bracket | U hose | BB dusting brush | JJ black coated nut |
| F cart frame | N diagonal support | V small foam filter | CC utility tool | KK bolt |
| G caster bracket | O tank brace | W large foam filter | DD floor nozzle | LL lock washer |
| H casters | P vertical support | | EE crevice tool | MM nut |

Assembled Views

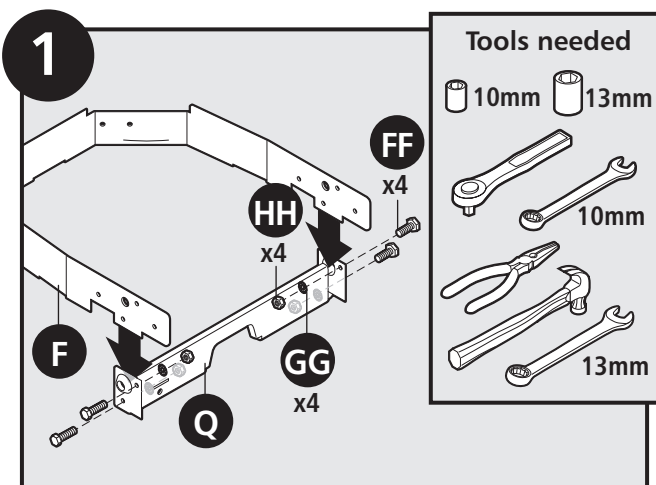


Reorder Numbers

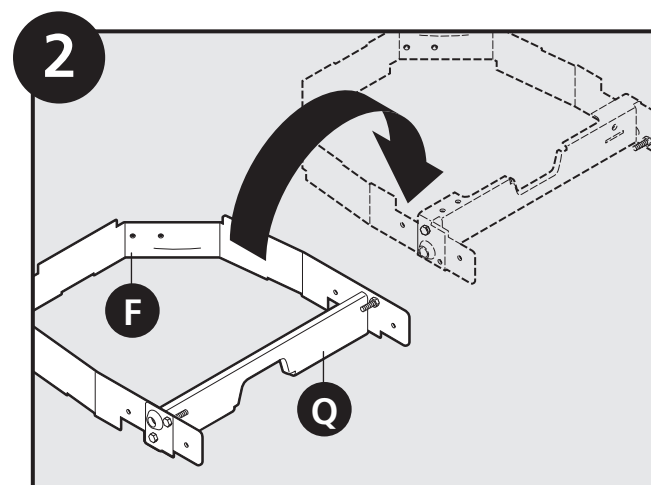
- 9V-WDPF-12** (HEPA filter kit)
- 9V-WDFF-12** (foam filter set)
- 9V-WDHS-12** (hose)

Reorder by logging on to www.rcpworksmarter.com or by contacting your local distributor. Call customer service at 1-866-524-5233 for service and to order genuine Rubbermaid Commercial Products replacement parts.

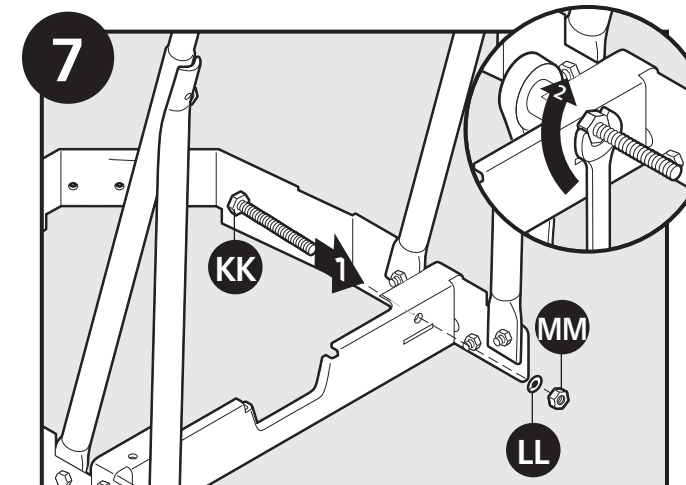
Assembly



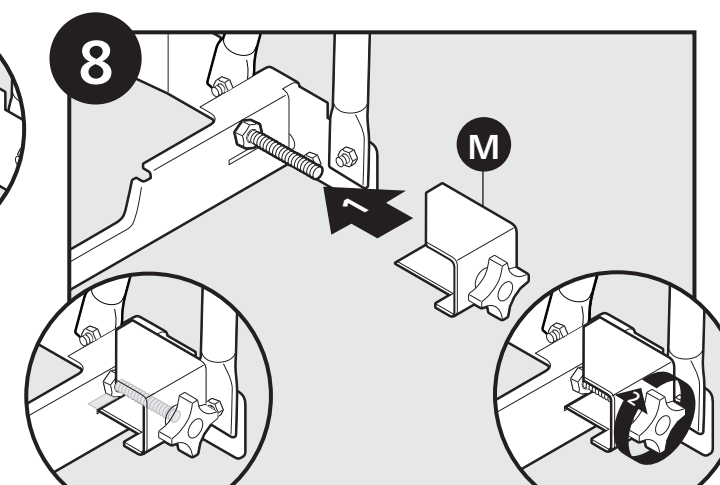
Attach axle support to cart frame using small screws, star washers, and small nuts. Hand tighten.



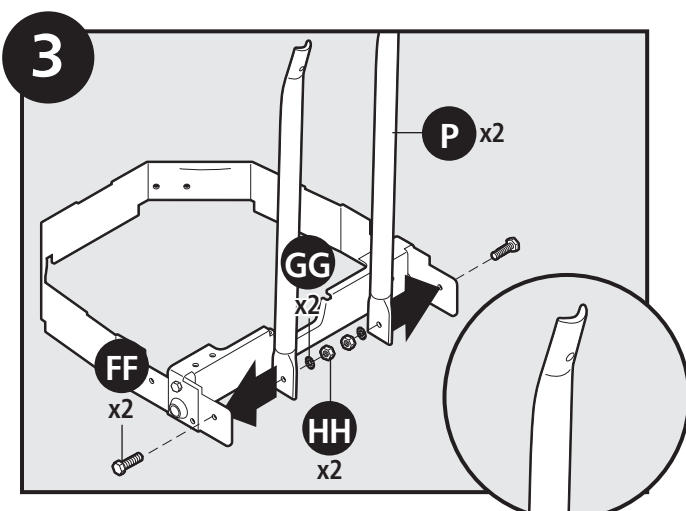
Turn cart frame over. Note orientation of notch in axle support.



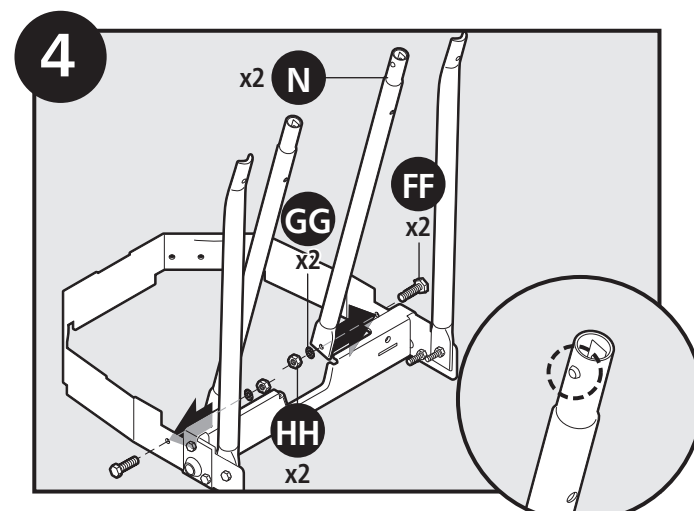
Attach bolt, lock washer, and nut to wheel shaft support. Use 13mm socket wrench and box end wrench to fully tighten.



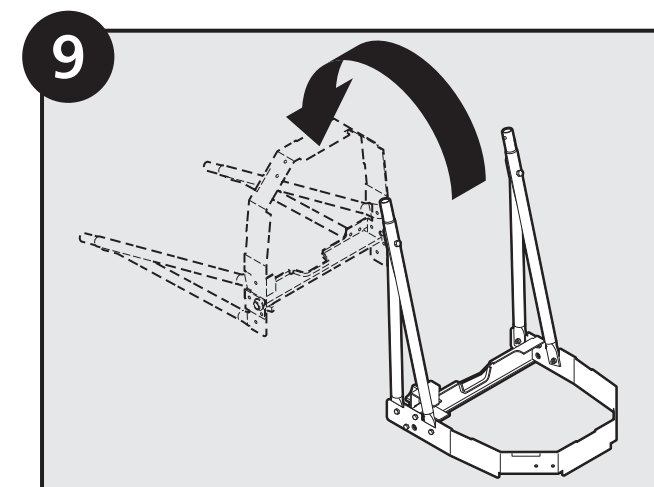
Attach tank retaining bracket to wheel shaft support. Align lower tab with slot. Tighten tank release knob halfway.



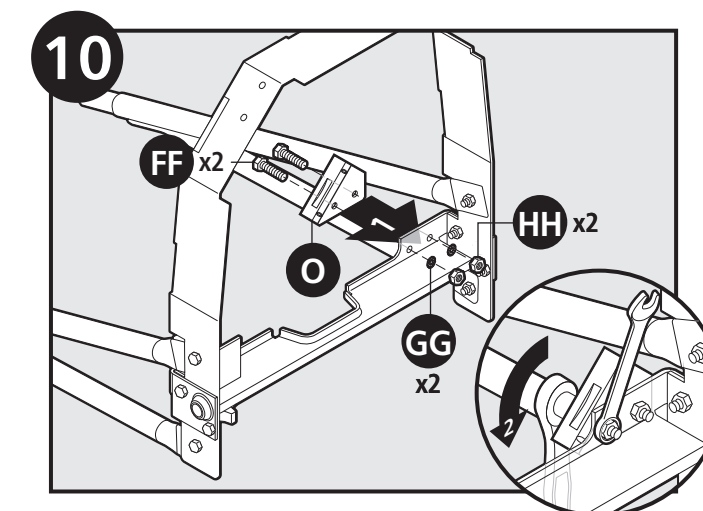
Attach vertical supports to side of cart frame using small screws, star washers, and small nuts. Ensure support nests are pointed towards front of cart. Hand tighten.



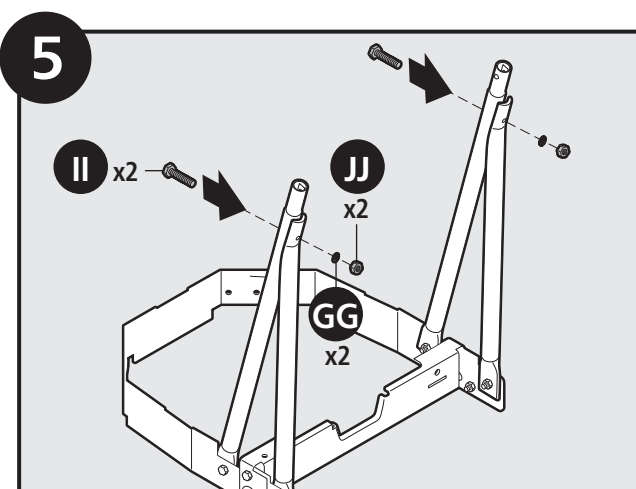
Align diagonal supports with holes on side of cart frame (while ensuring spring loaded buttons face inside of cart). Attach diagonal supports to cart frame using small screws, star washers, and small nuts. Hand tighten.



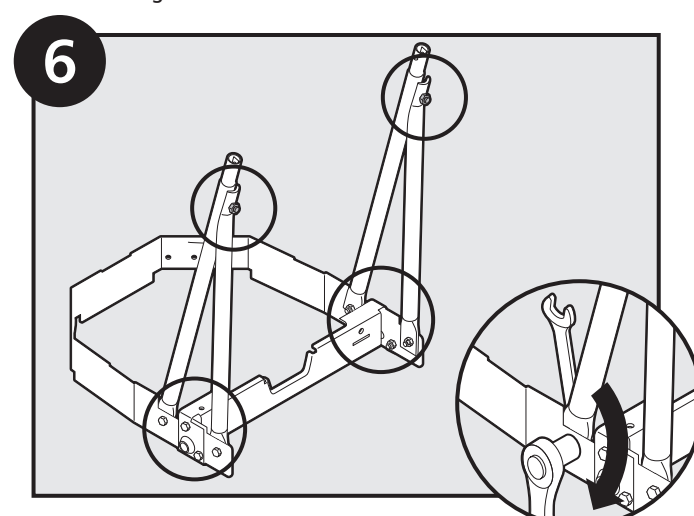
Lay cart back.



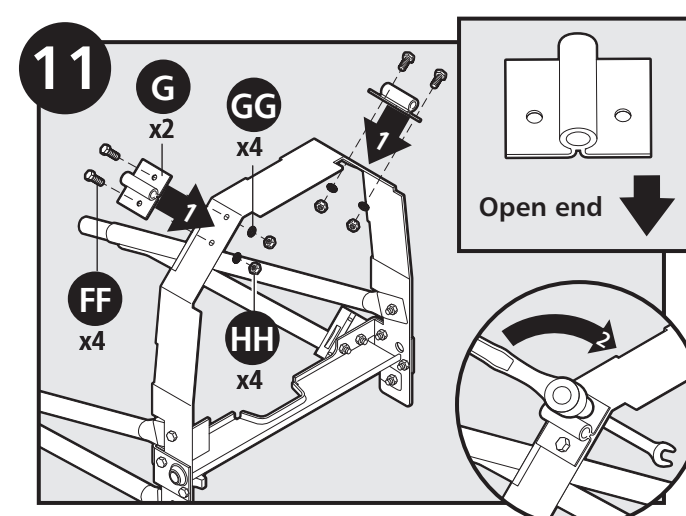
Attach tank brace to wheel shaft support using small screws, star washers, and small nuts. Use 10 mm socket wrench and box end wrench to fully tighten. **FULLY TIGHTEN ALL SCREWS ON CART!**



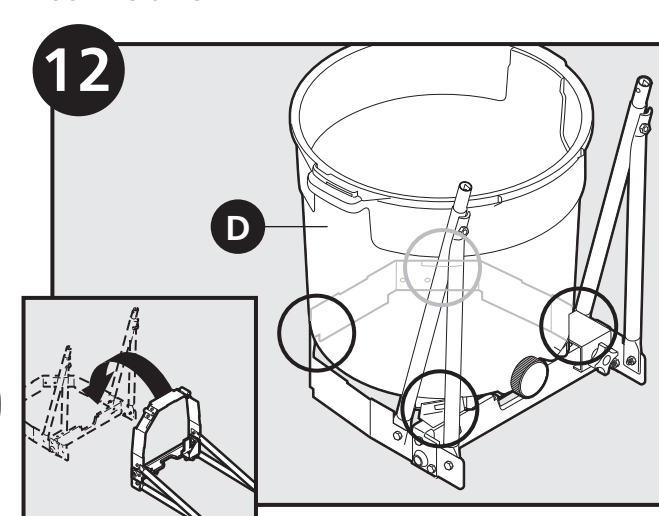
Attach diagonal supports to vertical supports with black coated screws, star washers, and black coated nuts. Hand tighten.



Use 10mm socket wrench and box end wrench to fully tighten all screws, star washers, and nuts.

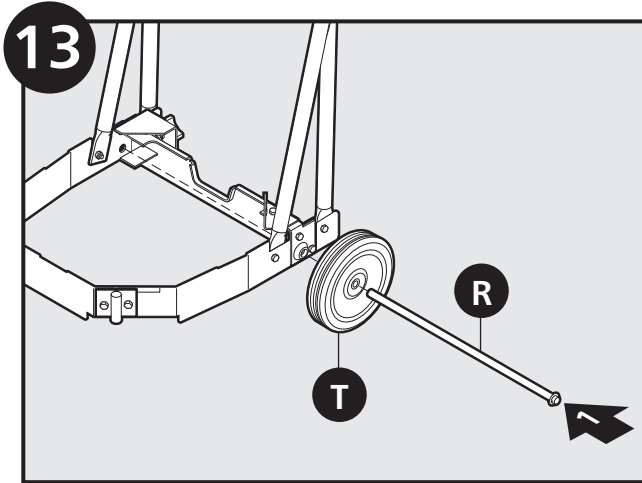


Attach caster brackets to front of cart frame using small screws, star washers, and small nuts. Ensure open end of caster brackets face down. Use 10 mm socket wrench and box end wrench to fully tighten.



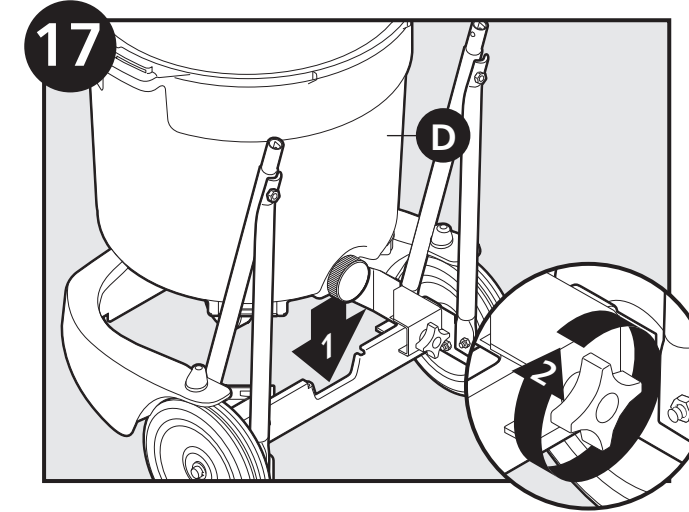
Flip frame over. Check that frame is properly assembled. Temporarily place tank on frame. **Important: Ensure cart is assembled correctly before proceeding.**

Assembly (cont.)

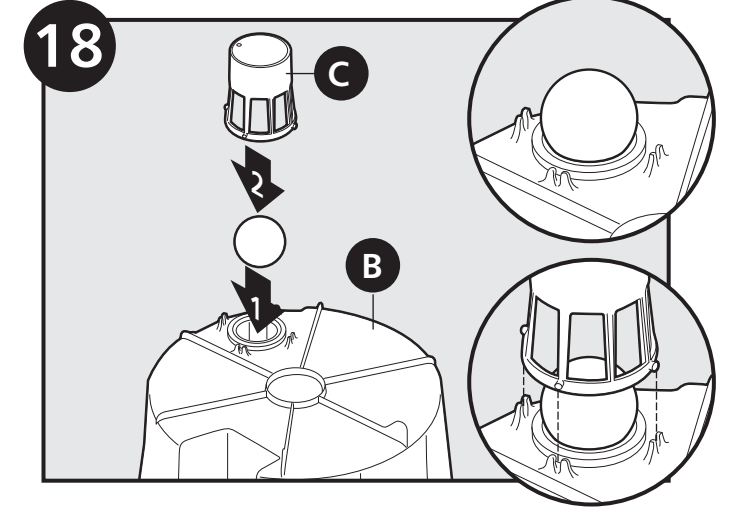


Insert axle through wheel. Then insert axle into axle support.

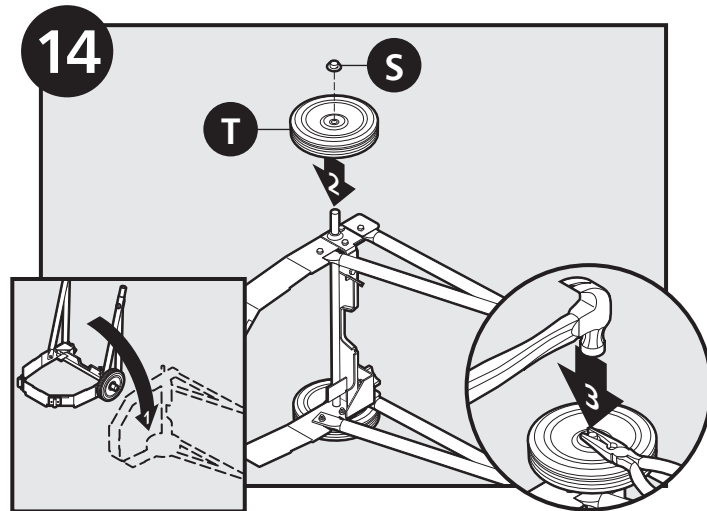
Notice: Cap nuts cannot be removed without causing damage to cap nuts and axle.



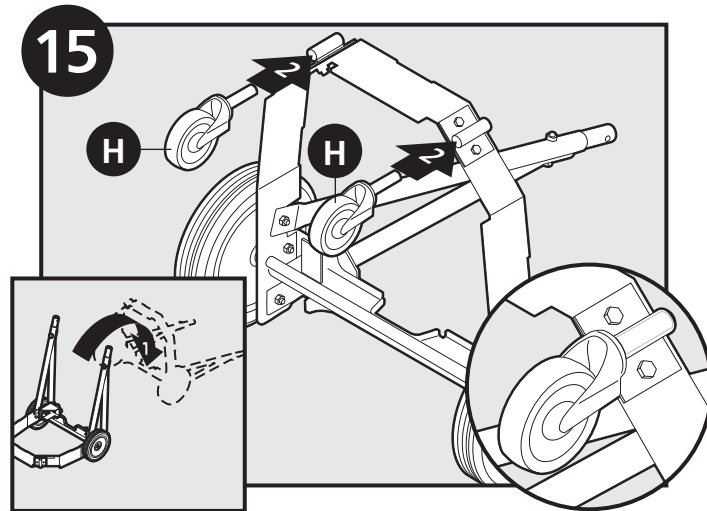
Place outer tank onto cart frame. Align drain cap with notch in axle support. Tighten tank release knob.



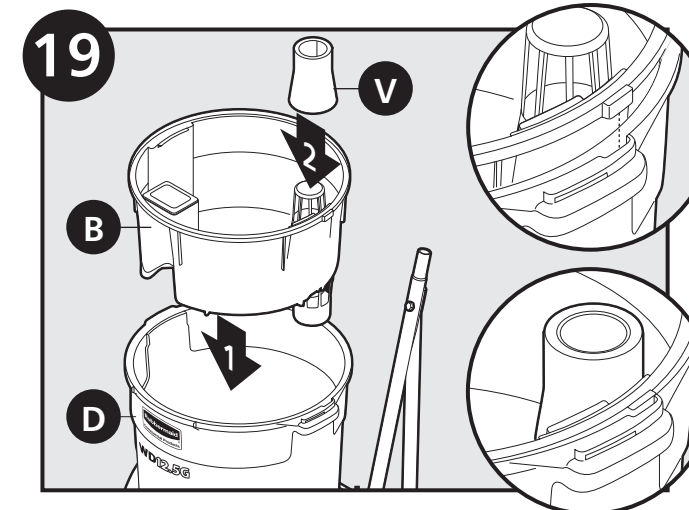
Place float ball onto seal. Snap small float cage onto bottom of inner tank.



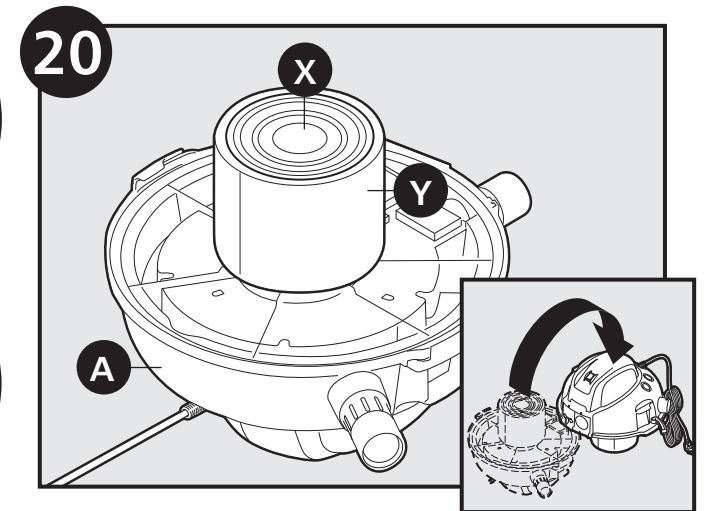
Turn cart sideways onto hard surface. Place remaining wheel onto axle. While holding cap nut with needle nose pliers, tap cap nut onto axle with hammer.



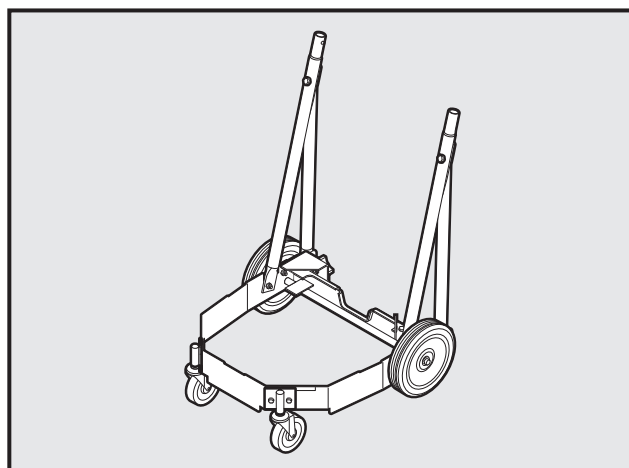
Lay cart back. Insert casters into caster brackets. Ensure casters are fully inserted.



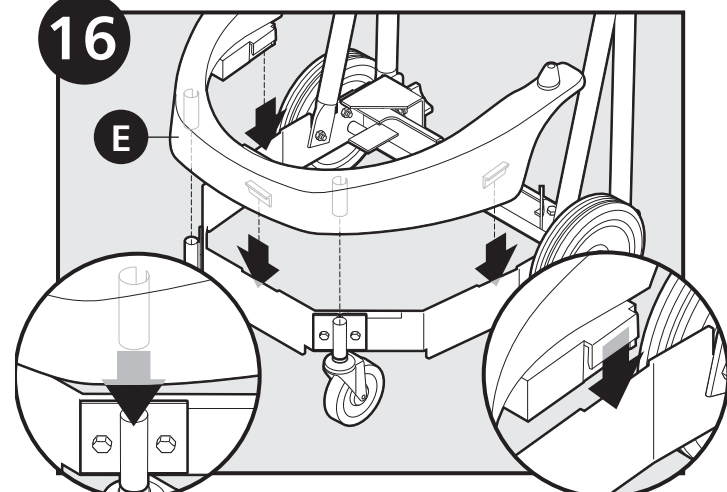
Place inner tank into outer tank. Ensure tab aligns with notch in outer tank. Slide small foam filter onto standpipe. Ensure top of small foam filter and top of standpipe are flush.



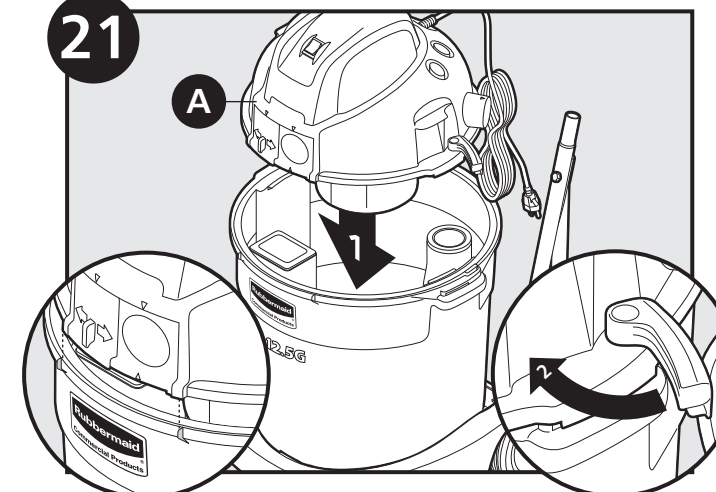
Ensure HEPA filter/HEPA foam sleeve are fully seated on powerhead. Turn powerhead right side up.



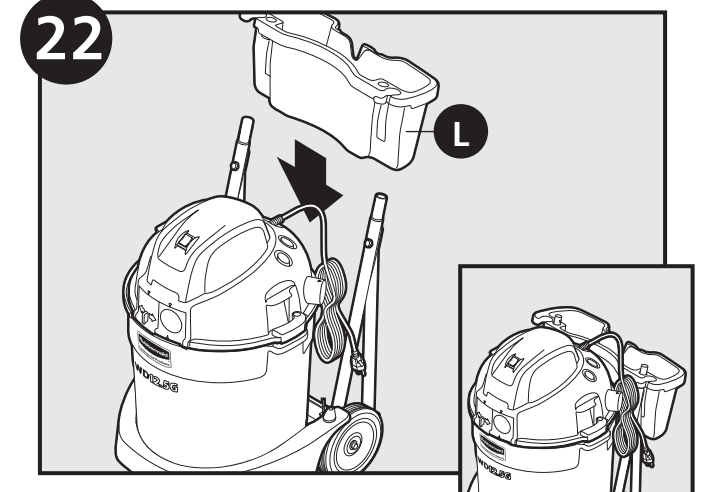
(Complete view of assembled cart frame.)



Attach bumper to cart frame. Align posts and tabs to secure bumper.

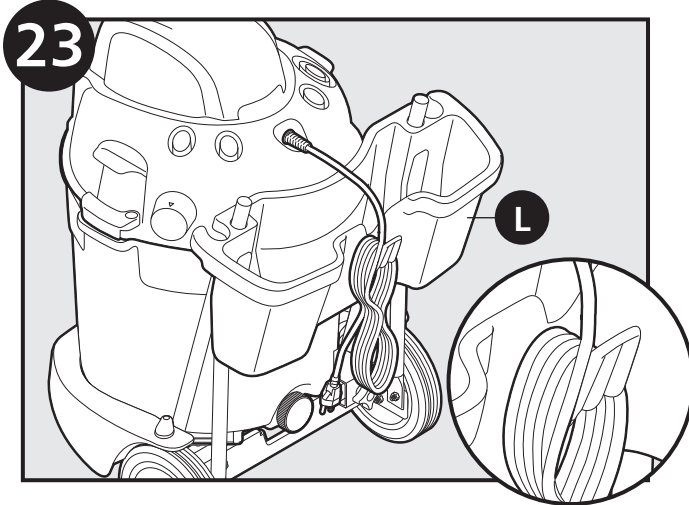


Place powerhead onto outer tank. Ensure tabs on front of outer tank align with notches on front of powerhead. Rotate latches on each side to secure powerhead.

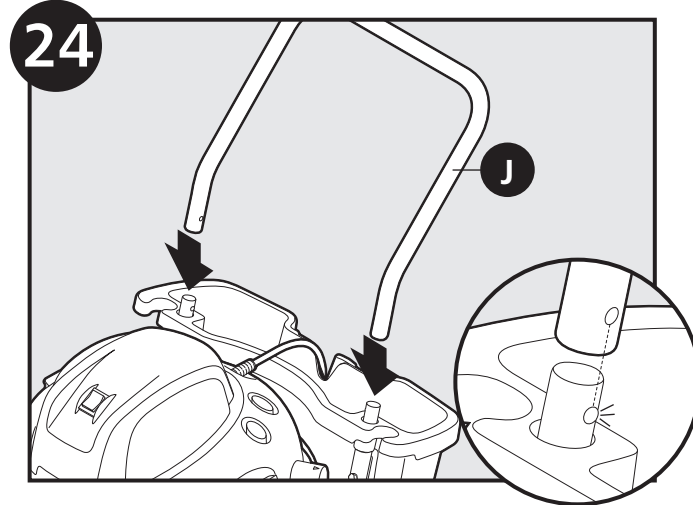


Slide caddy past spring loaded buttons and onto diagonal supports.

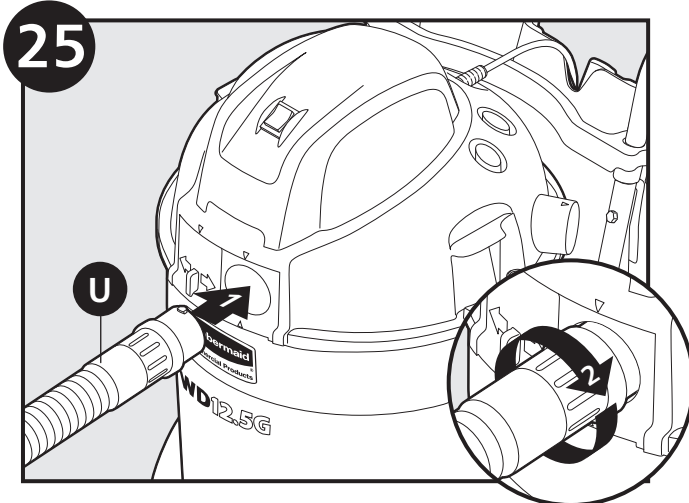
Assembly (cont.)



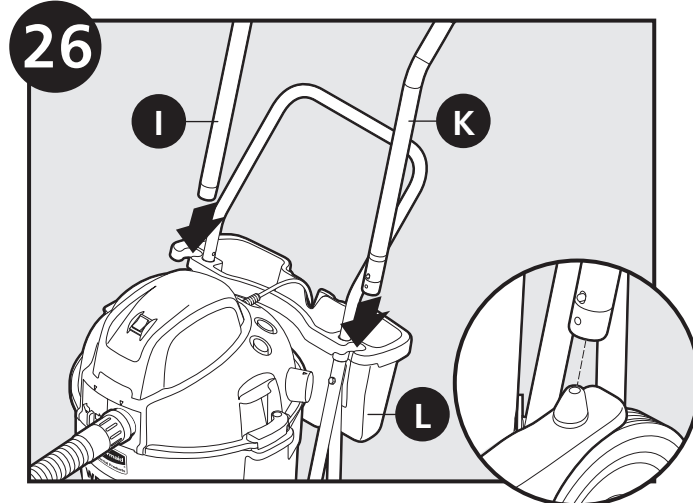
Hang power cord on cord hook.



Attach upper handle to diagonal supports. Ensure spring loaded buttons align with holes in upper handle; snap into place.



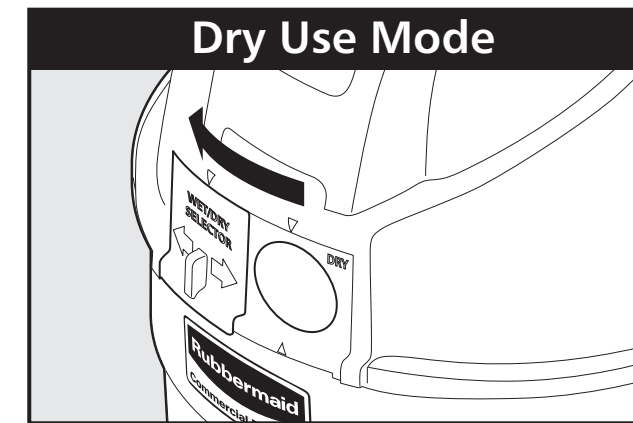
Slide wet/dry selector to desired function. Insert hose into port. Turn hose clockwise to lock.



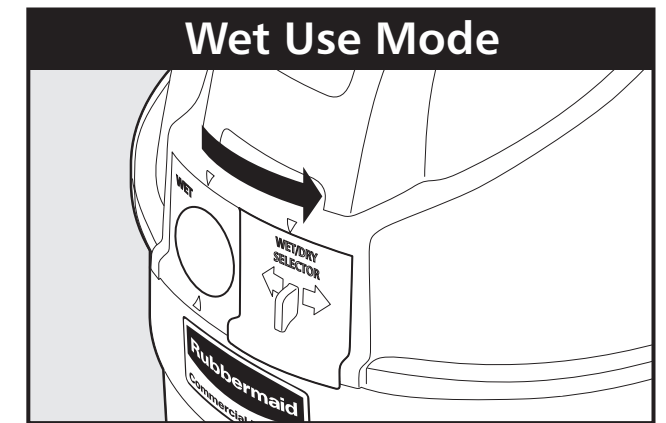
Slide wands through slots on caddy; nest wands onto posts on bumper.

Wet/Dry Selection

This vacuum cleaner has separate wet/dry tanks. This allows switching from wet pick-up to dry pick-up without having to empty the tank or change filters. Dry debris will collect in the inner tank and wet debris will collect in the outer tank. Ensure that the small foam filter and HEPA filter/HEPA foam sleeve are in place.

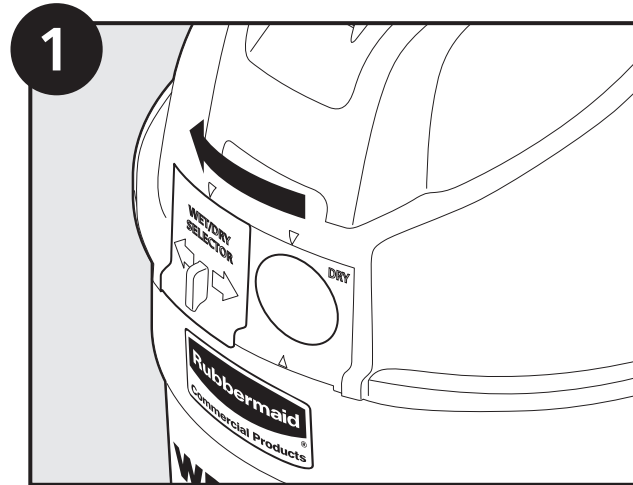


Dry pick-up: Slide wet/dry selector left to expose "dry tank inlet".

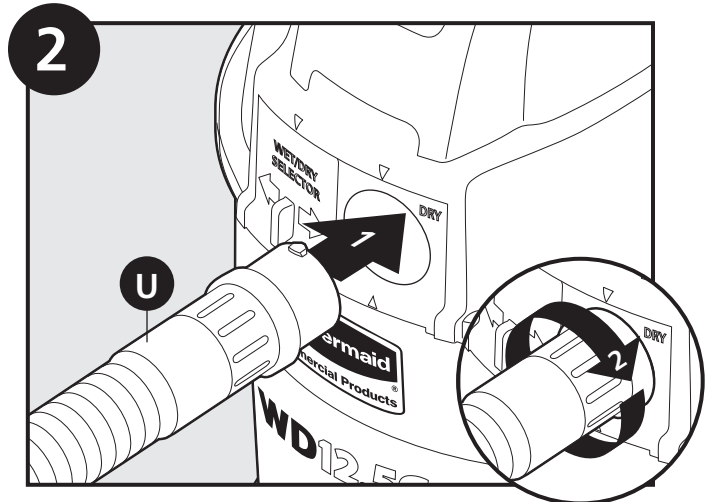


Wet pick-up: Slide wet/dry selector right to expose "wet tank inlet".

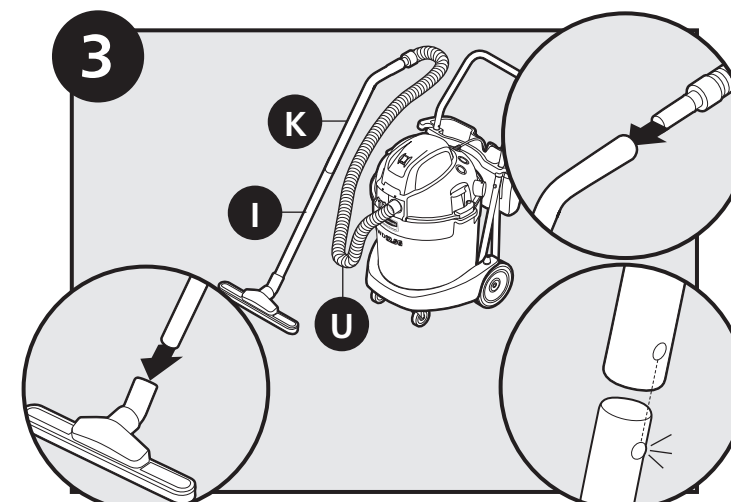
Dry Mode Operation



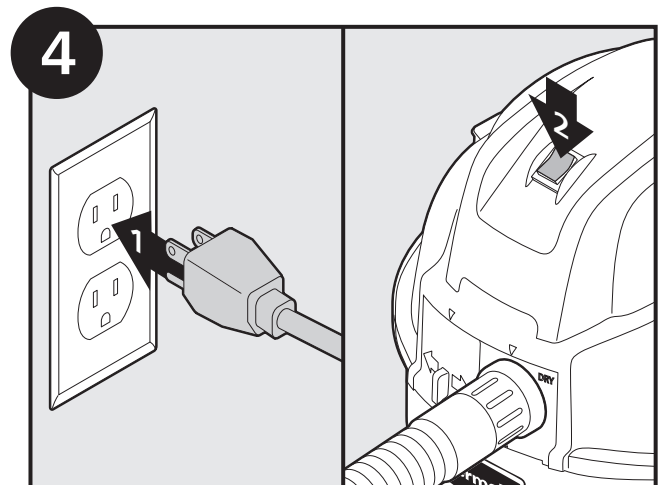
Slide wet/dry selector left to expose dry port.



Insert hose into "dry tank inlet" and turn clockwise to lock.

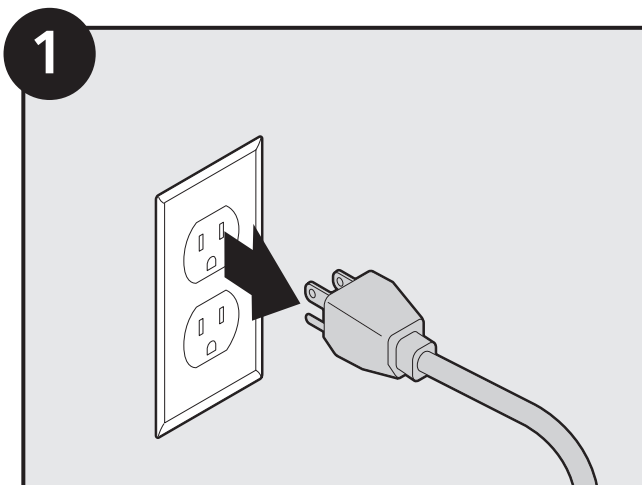


Attach bent and/or straight wand and desired accessory.

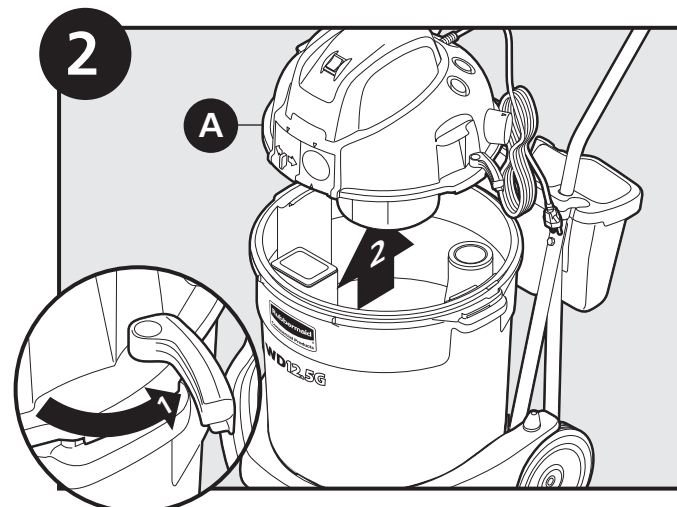


Plug power cord into outlet. Turn power switch on. (Vacuum cleaner is ready for use.) Once complete, turn power switch off and unplug power cord from outlet.

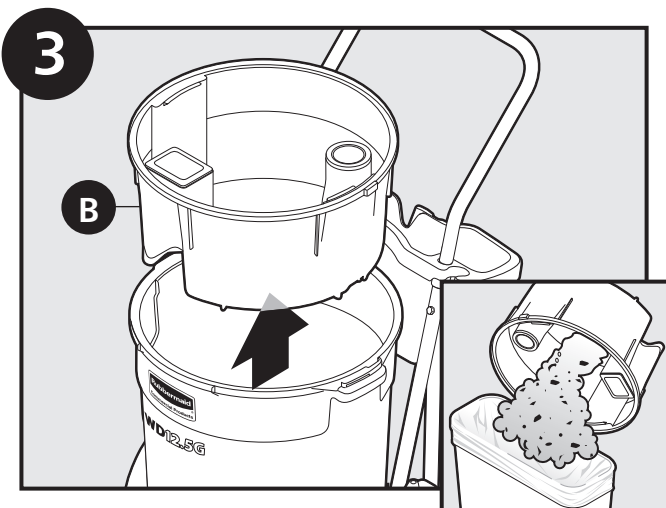
Emptying Dry Tank



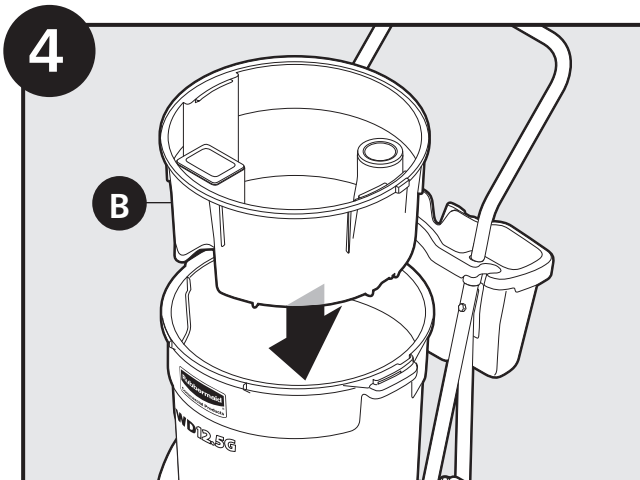
1 Disconnect power cord from outlet.



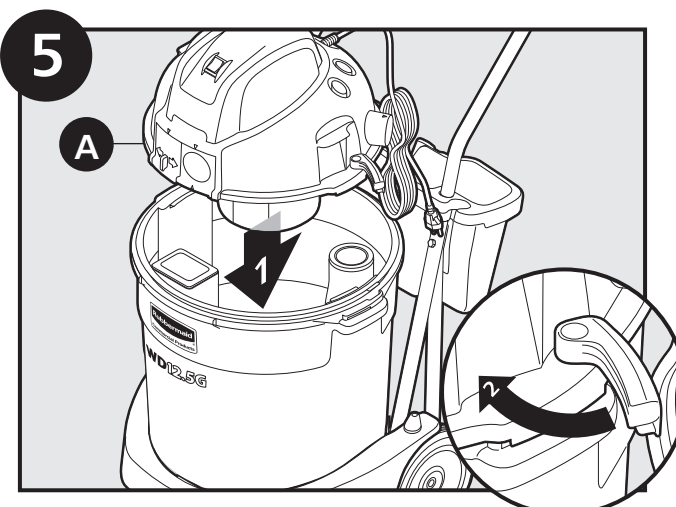
2 Release latches. Remove powerhead.



3 Remove inner tank and empty.

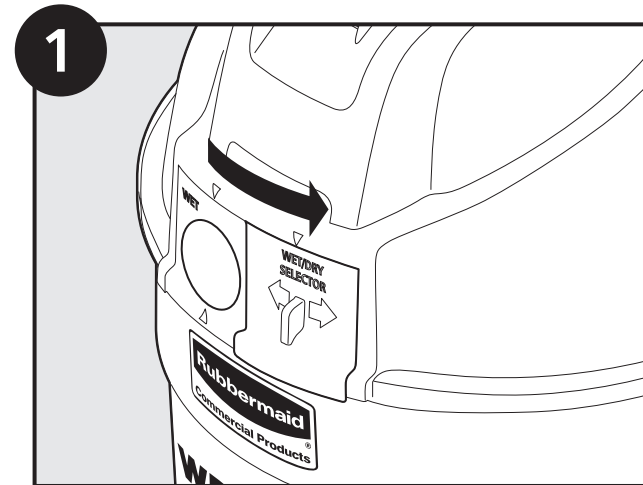


4 Reinstall inner tank.

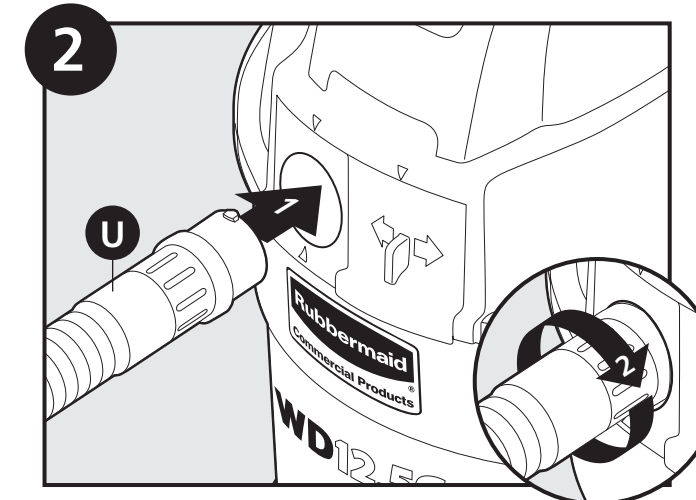


5 Reinstall powerhead. Fasten latches. (Vacuum cleaner is now ready for use.)

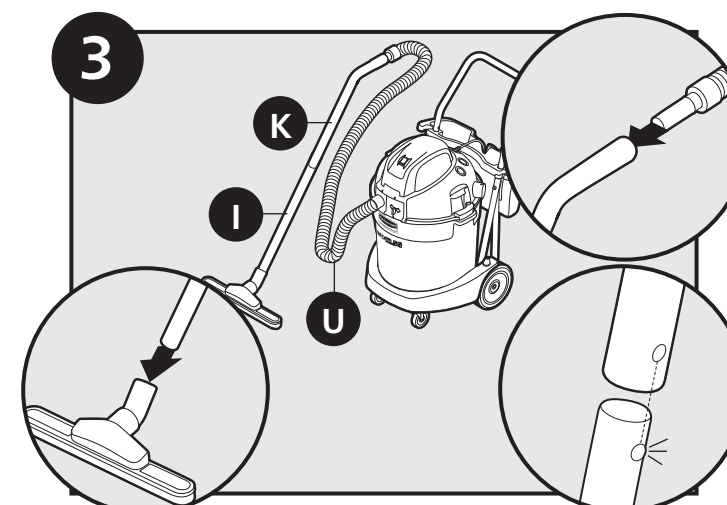
Wet Mode Operation



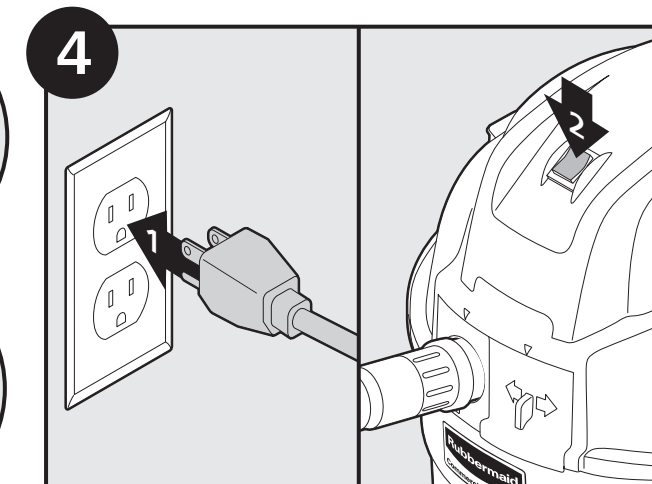
1 Slide wet/dry selector right to expose wet port.



2 Insert hose into "wet tank inlet" and turn clockwise to lock.



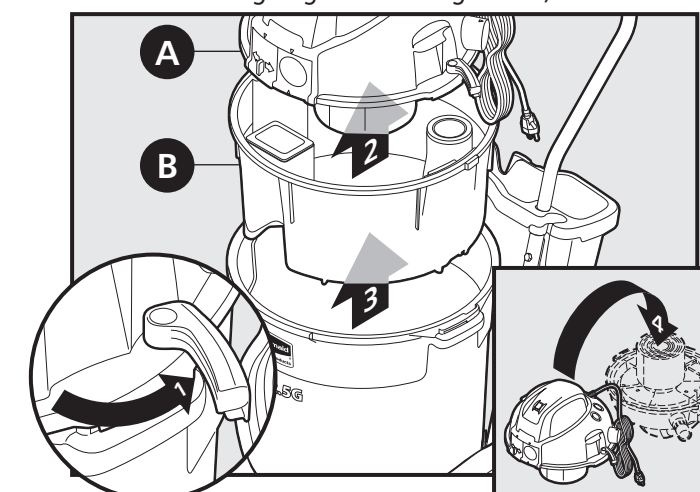
3 Attach bent and/or straight wand and desired accessory.



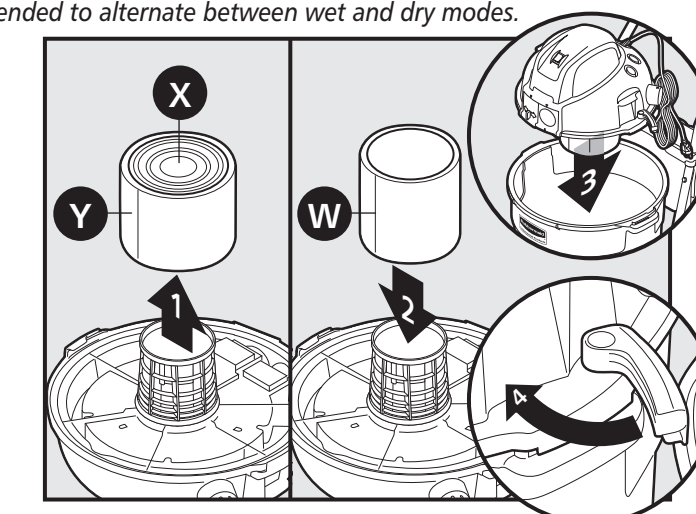
4 Plug power cord into outlet. Turn power switch on. (Vacuum cleaner is now ready for use.) Once complete, turn power switch off and unplug power cord from outlet.

Optional Increased Capacity

Note: When using single tank configuration, it is not recommended to alternate between wet and dry modes.

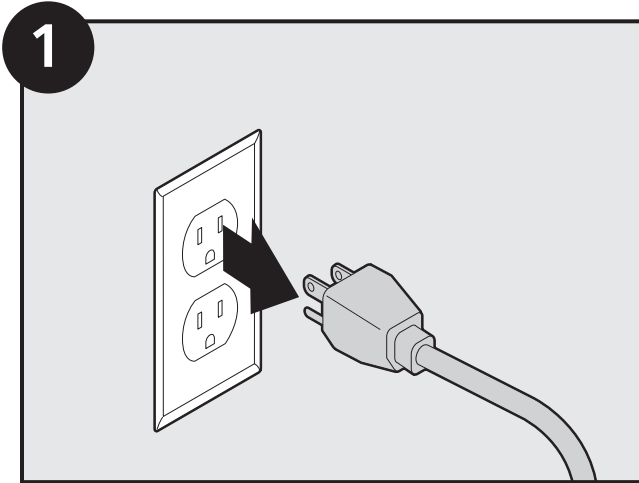


For more capacity in wet mode, the inner tank can be removed. Release latches and remove powerhead and inner tank. Turn powerhead over.

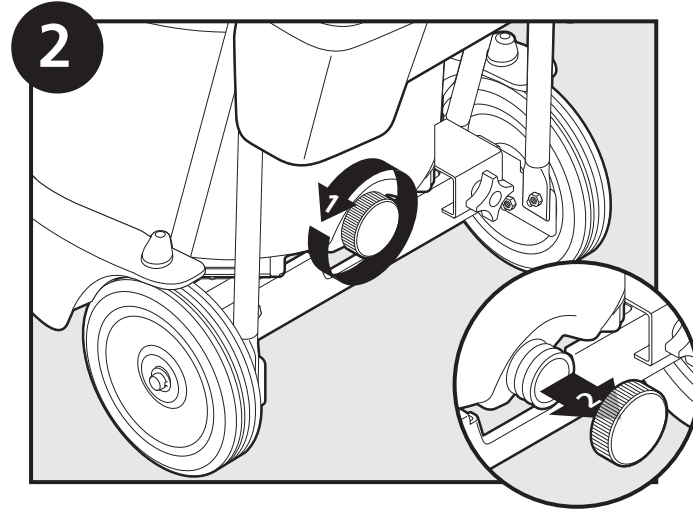


Remove HEPA filter/HEPA foam sleeve. Replace with large foam filter. Reinstall powerhead. Fasten latches. (Vacuum cleaner is now ready for use.)

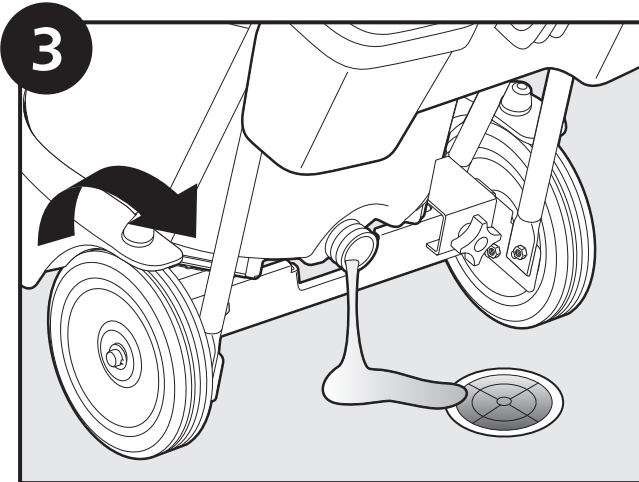
Emptying Wet Tank



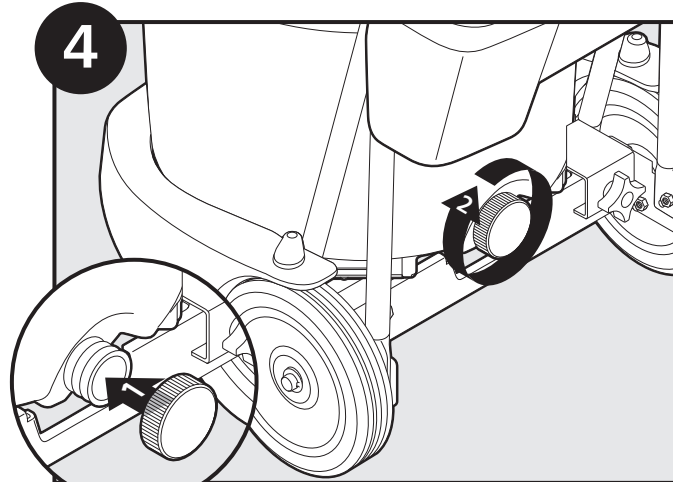
1 Disconnect power cord from outlet.



2 Unscrew and remove drain cap.

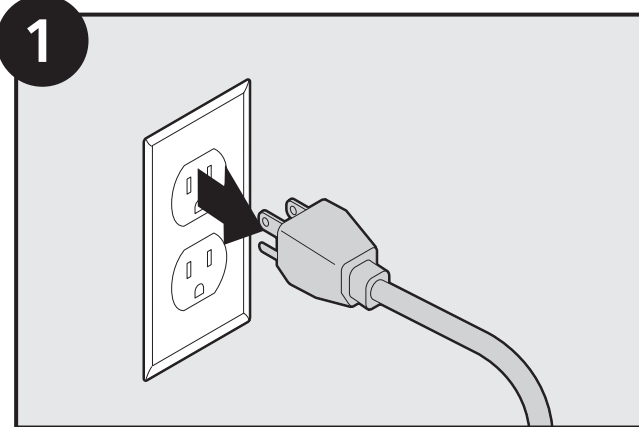


3 Empty contents into suitable drain or container. Tilt vacuum cleaner to allow any remaining liquid to drain.

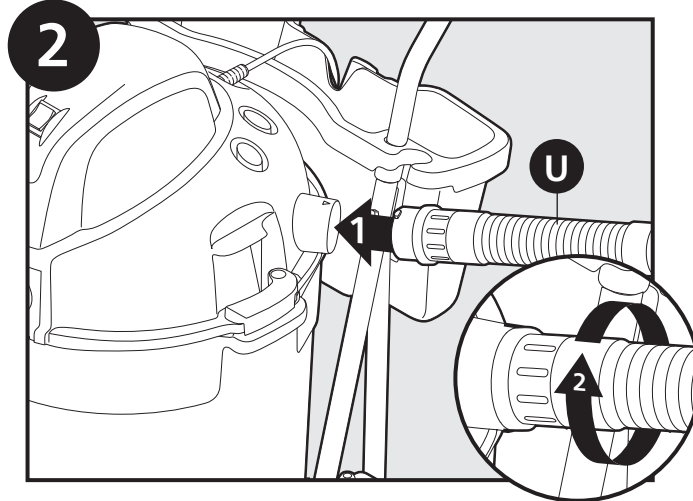


4 Reinstall drain cap. (Vacuum cleaner is now ready for use.)

Blower Mode Operation



1 Disconnect power cord from outlet.

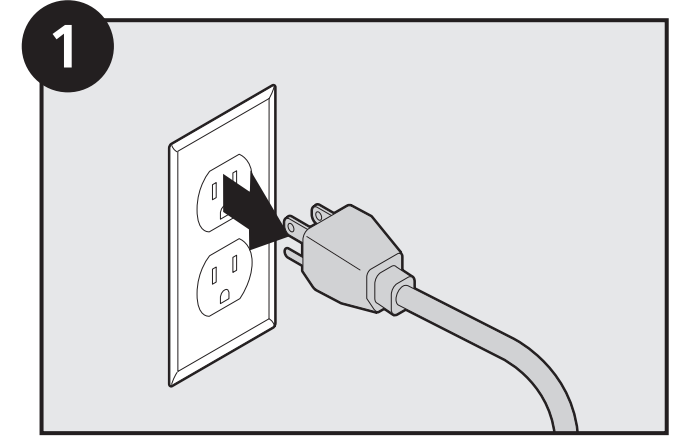


2 Insert hose into blower inlet and turn clockwise to lock. (Blower is now ready for use.)

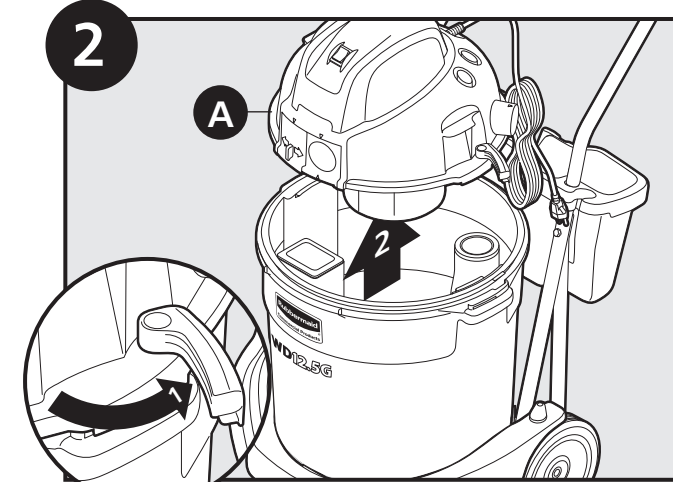
Liquid Overflow Protection

When either tank is full of liquid, the automatic shut-off mechanism will turn off vacuum cleaner motor. The automatic shut-off mechanism will also engage if the vacuum cleaner has been tipped over. If tank(s) are full, turn vacuum cleaner off and empty tank(s) to continue use. If vacuum cleaner has been tipped over, turn vacuum cleaner off and set upright. Wait a few seconds to allow the motor to come to a complete stop before turning back on.

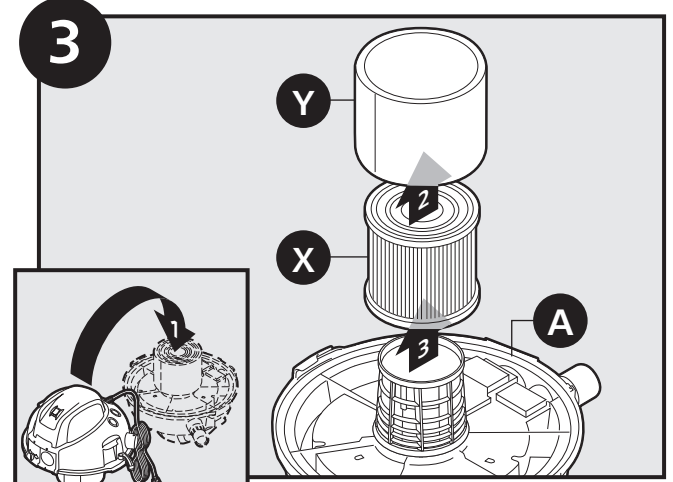
Replacing HEPA Filter/ HEPA Foam Sleeve



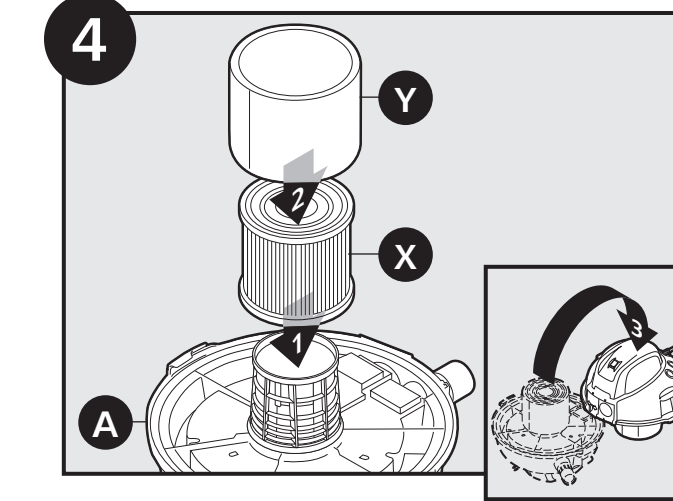
1 Disconnect power cord from outlet.



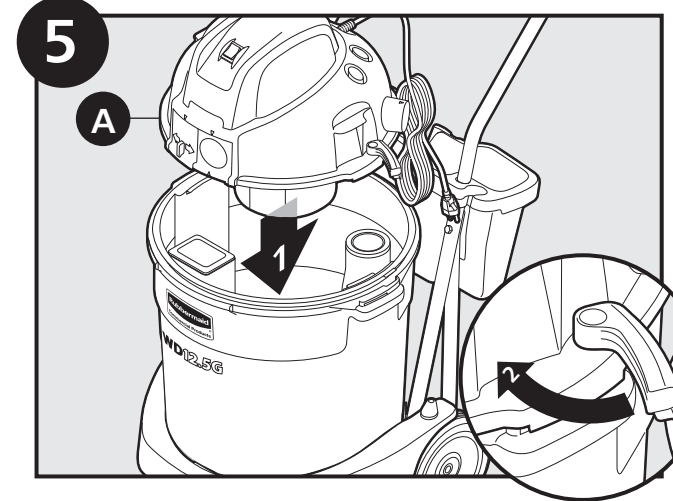
2 Release latches. Remove powerhead.



3 Turn powerhead upside down. Remove old HEPA filter/HEPA foam sleeve.

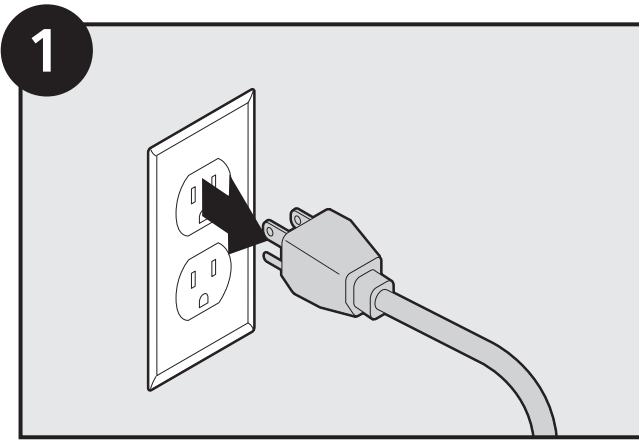


4 Slide new HEPA filter onto float cage, ensuring that it is fully seated onto powerhead. Slide HEPA foam sleeve over HEPA filter. Turn powerhead right side up.

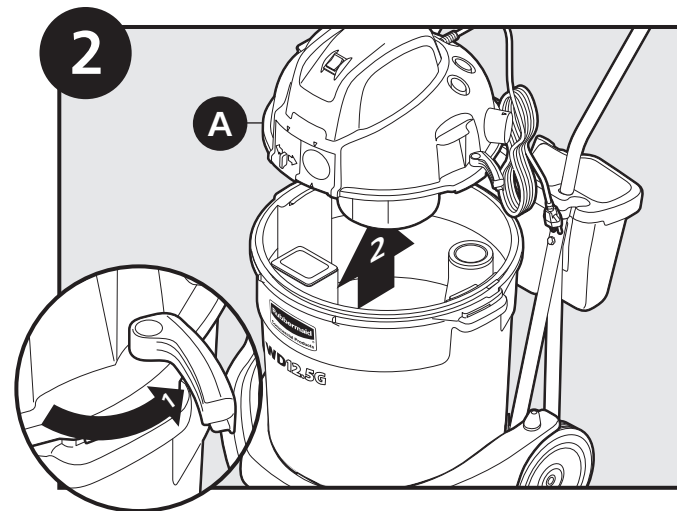


5 Reinstall powerhead. Fasten latches. (Vacuum cleaner is now ready for use.)

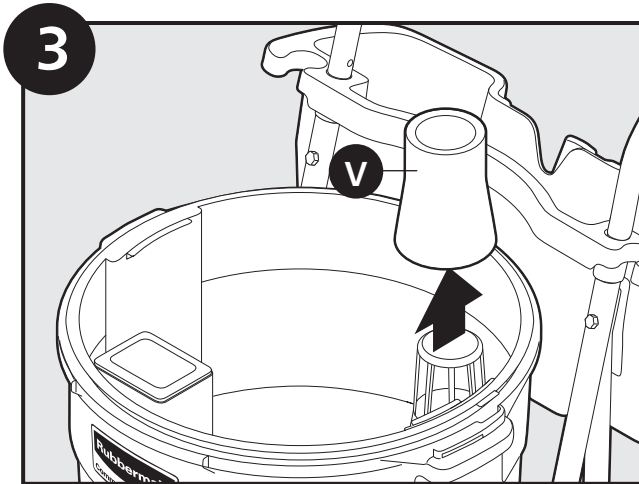
Replacing Small and Large Foam Filter



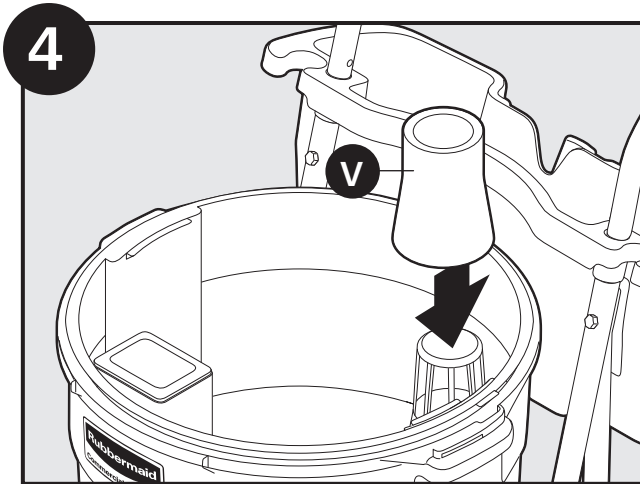
Disconnect power cord from outlet.



Release latches. Remove powerhead.



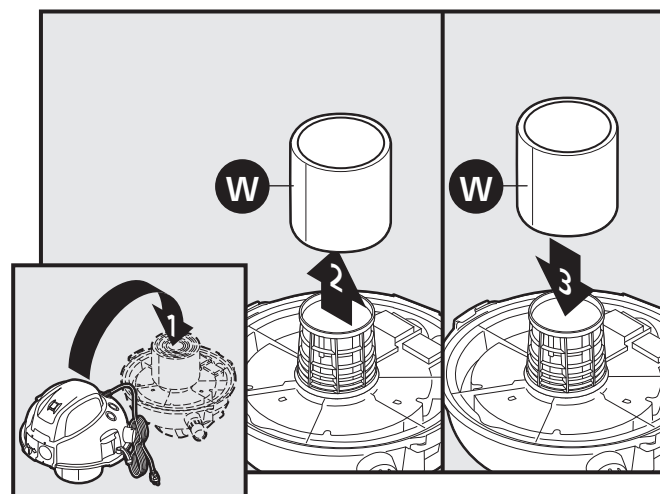
Remove old small foam filter from standpipe in inner tank.



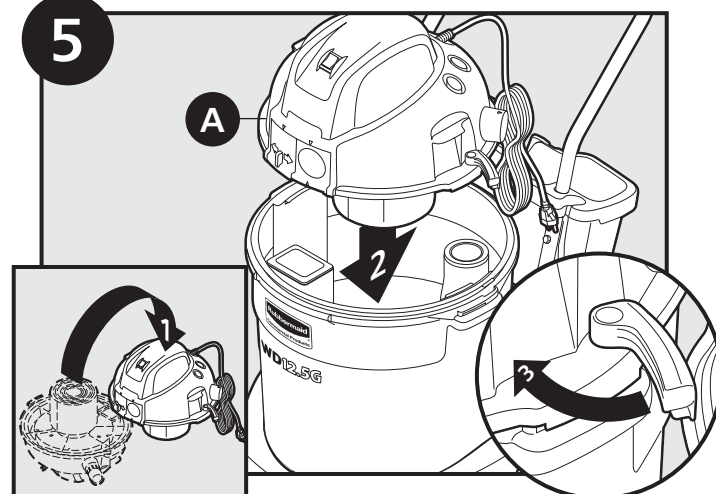
Slide new small foam filter onto standpipe in inner tank.
Note: The small foam filter must be in place whenever the inner tank is in use.

Optional

Note: Replace large foam filter only when used in single tank configuration.



Turn powerhead upside down. Remove old large foam filter. Replace with new large foam filter.



Turn powerhead right side up. Reinstall powerhead. Fasten latches. (Vacuum cleaner is now ready for use.)