



PACIFIC[™]
F L O O R C A R E

PURPOSE BUILT.[™]

PARTS & OPERATING MANUAL

SCE-4

SELF CONTAINED EXTRACTOR

PLEASE READ THIS BOOK

This operator's book has important information for the use and safe operation of this machine. Read this book carefully before using the machine. Keep this book and tell all operators to read the book. If you do not follow the instructions, you can cause an injury or damage equipment, furniture or buildings.

For new books, please download your copy from our website www.pacificfloorcare.com or write to:

Pacific Floorcare
2259 S. Sheridan Drive
Muskegon, MI 49442-6252

Carefully inspect all components to ensure that there is no concealed freight damage. If such damage is discovered, file a "CONCEALED DAMAGE REPORT" immediately with the delivering carrier.

The contents of this manual are based on the latest product information available at the time of publication. Pacific reserves the right to make changes or improvements without notice.

Thank you for purchasing a Pacific Floorcare product. Warranty registration will allow us to better serve you over the lifetime of the product. For quick and easy registration, go to:
www.pacificfloorcare.com/Register Product.

IMPORTANT SAFETY INSTRUCTIONS

Grounding Instructions

This machine must be grounded. If it should malfunction or break down, grounding provides a path of least resistance for electric current to reduce the risk of electric shock. This machine is equipped with a cord having an equipment-grounding conductor and grounding plug. The plug must be inserted into an appropriate outlet that is properly installed and grounded in accordance with all local codes and ordinances.

WARNING - Improper connection of the equipment-grounding conductor can result in a risk of electric shock.

Check with a qualified electrician or service person if you are in doubt as to whether the outlet is properly grounded. Do not modify the plug provided with the machine - if it will not fit the outlet, have a proper outlet installed by a qualified electrician.

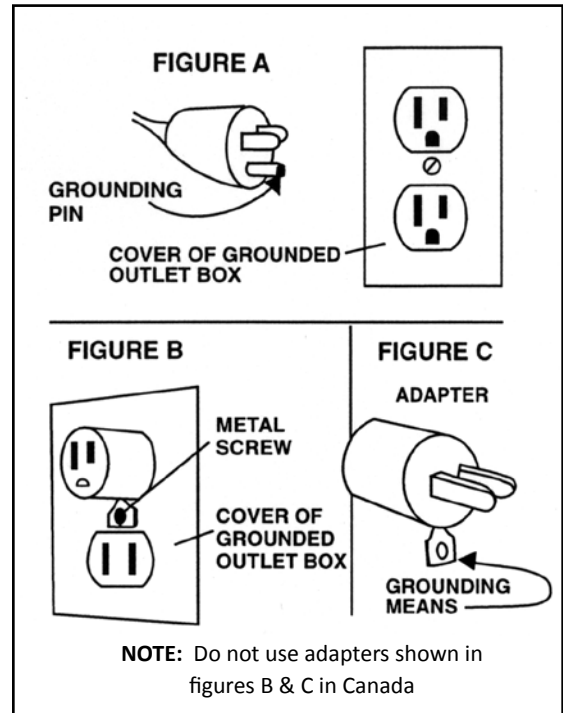
This machine is for use on a nominal 120-volt circuit, and has a grounded plug that looks like the plug illustrated in figure A. A temporary adapter that looks like the adapter illustrated in figures B and C may be used to connect this plug to a 2-pole receptacle as shown in figure B if a properly grounded outlet is not available. The temporary adapter should be used only until a properly grounded outlet (figure A) can be installed by a qualified electrician. The green colored rigid ear, lug, or the like extending from the adapter must be connected to a permanent ground such as a properly grounded outlet box cover. Whenever the adapter is used, it must be held in place by a metal screw.

NOTE: In Canada, the use of a temporary adapter is not permitted by the Canadian Electrical Code

EXTENSION CORDS

Use only three-wire 12/3 or larger gauge approved extension cords that have three-prong grounding type plugs and three-pole receptacles that accept the appliance's plug. Replace or repair any damaged cords or plugs.

When servicing, refer to authorized person only. Use only identical replacement parts.



IMPORTANT SAFETY INSTRUCTIONS

To ensure the safe operation of this machine, you must read and understand all warnings and instructions in this book. If you do not understand, ask your supervisor.

READ ALL INSTRUCTIONS BEFORE USING THIS MACHINE

WARNING: To reduce the risk of fire, electric shock, or injury:

1. You must be trained to operate this machine. This machine is to be operated for its intended use only.
2. Do not operate this machine unless it is completely assembled.
3. Always use a three-wire electrical system connected to the electrical ground. For maximum protection against electrical shock, use a circuit that is protected by a ground fault circuit interrupter. Consult your electrical contractor.
4. To prevent electric shock, always remove the electrical plug from the electrical outlet before doing any repairs or maintenance and when leaving the machine unattended.
5. Machines can cause an explosion when near flammable materials and vapors. Do not use this machine with or near fuels, grain dust, solvents, thinners, or other flammable materials. Do not use flammables to clean this machine.
6. A qualified or authorized person must do maintenance and repairs.
7. To prevent damage to the power cord, do not move this machine over the power cord. Always lift the power cord over the machine. Do not pull or carry cord, use cord as a handle, close a door on cord, or pull cord around sharp edges or corners. Keep cord away from heated surfaces.
8. Do not use with damaged cord or plug. If the machine is not working as it should, has been dropped, damaged, left outdoors, or dropped into water, return it to a service center.
9. Do not use this unit for dry pick-up of dust or debris.
10. To prevent injury, always remove the electrical plug from the electrical outlet before leaving the machine.
11. Do not immerse. To reduce the risk of electrical shock, use only on carpet moistened by the cleaning process. Protect the machine from rain. Keep the machine in a dry building. Always clean the machine with a clean dry cloth.
12. Make sure all switches are turned off before plugging or unplugging it power cord into/from a wall receptacle.
13. Do not use water that is hotter than 60°C (140°F).
14. To prevent damage to the solution system components do not store in freezing temperatures without proper maintenance.
15. Do not allow to be used as a toy. Close attention is necessary when used near children.
16. Do not unplug by pulling on cord. To unplug, grasp the plug, not the cord.
17. Do not handle the plug or machine with wet hands.
18. Do not put any object into openings. Do not use with any opening blocked. Keep free of dust, lint, hair and anything that may reduce the airflow.
19. Keep hair, loose clothing, fingers and all parts of body away from openings and moving parts.
20. Do not pick up anything that is burning or smoking, such as cigarettes, matches or hot ashes.
21. Use extra care when cleaning on stairs.

OPERATING PROCEDURES

WARNING! For the safe operation of this machine follow the instructions given in this booklet and the training given by your supervisor. Failure to do so can result in personal injury and/or damage to machine and property!

DO NOT OPERATE MACHINE IN AN EXPLOSIVE ENVIRONMENT!

WARNING! NEVER USE THIS MACHINE TO PICK UP VOLATILE OR EXPLOSIVE MATERIAL!

The model shown in this manual is intended for commercial use.

PREPARATION

1. Check power cord, plug and strain relief for worn or damaged insulation. Repair or replace if necessary.
2. Confirm the quick connects located at the back of the machine are properly attached. This is the water supply line and solution water will not be allowed to flow through to the jets if this connection isn't secure.
3. Lock the brush assembly in the up position for storage or transport. This is done by pulling up on the black knob/lift mechanism at the front of the machine and allowing the lift stop to rest on the bracket.
4. Inspect the vacuum head and brush by tilting the machine backwards.
 - a) Vacuum head: Check for any damage. Burrs on the contact surface may snag carpet fibers. Gouges, scratches and chipped areas can reduce vacuum performance.
 - b) Brush: Inspect for damaged or missing bristles, replace if necessary.Return the machine to the upright position.
5. Check the inlet screen and filter bag in the opening of the fresh water/solution tank for damage or debris. Holes in the screen can allow contaminants to enter the pump resulting in costly repairs. A clogged screen will reduce pump performance and may cause permanent damage.
6. Remove the clear dome on top of the recovery tank.
 - a) Inspect for damage to the dome and gasket. Dirt or debris on the gasket or sealing surface of the tank can cause a vacuum leak and reduce vacuum performance.
 - b) The intake filter screen should be clean of debris and checked periodically for any damage, replace if necessary.Return the cover to its original position.

OPERATION

The following procedures are intended to describe and detail proper operation of your machine. Failure to follow these recommended procedures can reduce the machine's performance and may result in damage to the machine.

1. Vacuum the area to be cleaned. Your machine will do a more thorough job if the loose dirt and debris are removed before the extraction process begins.
 2. Add NON-FOAMING cleaning concentrate to the fresh water/solution tank. Follow mixing instructions for 3 to 3.5 gallons of water. Then fill the tank with warm water using the faucet/power fill adapter or you may mix the concentrate with 3-3.5 gallons of clean water in a CLEAN bucket then pour the mixture into the solution tank through the mesh bag at the front of the machine. Do not use water hotter than 60°C (140°F). DO NOT OVERFILL. NEVER USE THE RECOVERY TANK'S DIRTY WATER TO FILL THE SOLUTION TANK!
 3. Ensure the water supply hose connection at the rear of the machine is secure.
 4. Connect the power cord plug to a 115 volt grounded wall socket. See Grounding Instructions on page 2. Use of an extension cord is not recommended. However, if one is necessary, use only a 14-gauge or larger cord. Smaller or inferior cords are dangerous and may cause damage to your machine.
 5. Lower the brush assembly by lifting the black knob off the storage/transport bracket.
 6. Turn on the vacuum switch at the control panel to start the vacuum motor.
- Note: The accessory pump switch is for use only with the accessory tools. See "OPERATING WITH ACCESSORY TOOLS".
7. Pull backward during operation. DO NOT ATTEMPT TO OPERATE IN A FORWARD DIRECTION. Position yourself behind the machine, grasp the handle and depress the red momentary "Pump/Brush" switch on the top center of the handle. This switch activates the brush drive motor and the pump to spray cleaning solution. Walk slowly backward and continue to depress the red switch to perform the cleaning process.
 8. Release the red button approximately 6 inches before completing each pass. The spray jets are located behind the vacuum head making it necessary to pull the machine a few inches further to pick up the last amount of solution dispensed onto the carpet.
 9. Tilt the machine back on the rear wheels and walk forward to position the machine along side the previous pass (slightly overlapping).

OPERATING PROCEDURES

OPERATION (continued)

10. As dirty solution is recovered, some foaming may be noted. Excessive foaming can be counteracted with liquid defoamer applied according to the chemical manufacturers directions. **DO NOT ALLOW FOAM TO RISE INTO OR NEAR THE DOME; THIS WILL HARM THE VACUUM MOTOR.** Use defoamer or empty and flush the recovery tank.
11. To empty the recovery tank, remove the dome assembly and lift the tank out. Dispose of the recovered water properly.
12. If streaking occurs after a period of operating time, this means the solution (fresh water) tank is near empty. Streaking is eliminated by adding more water and chemical solution to the tank. **EMPTY THE RECOVERY TANK EVERY TIME YOU FILL THE SOLUTION TANK.**
13. To empty the solution tank, connect the power fill adaptor to the vacuum inlet on the front of the dome. Turn the vacuum switch on.

OPERATING WITH ACCESSORY TOOLS

1. To use an accessory tool, disconnect the supply hose at the rear of the machine and connect the accessory tool hose.
2. Next, disconnect the machine's vacuum hose from the front of the dome assembly and connect the accessory tool vacuum hose to the dome.
3. Turn the vacuum and accessory pump switches on. Solution will be dispensed while the accessory tool trigger is depressed.

WATCH THE DOME TO MAKE SURE THE RECOVERY TANK DOES NOT OVERFLOW.

Note: The pump motor is equipped with an automatic thermal protection device. If the motor overheats for any reason, the thermal protector will activate and automatically turn the motor off. If this occurs the operator should turn the manual pump switch to the off position and allow approximately fifteen minutes for the motor to cool. When the motor has cooled to a safe operating temperature, the thermal protector will automatically close and allow power to be supplied to the motor via the manual pump switch. The operator will be able to resume normal operation. If the pump motor shuts down repeatedly, it should be checked at an Authorized Service Center.

SERVICING

This self-contained extractor is designed and manufactured to provide years of trouble free service with a minimum of maintenance and service. The following recommendations are intended to assist the operator and Service Technician in performing routine maintenance.

WARNING: Always unplug your machine before performing any service. Severe personal injury could result if the electrical power is not disconnected.

After each use:

1. Clean the dome top, intake filter screen, gasket and recovery tank with fresh, clean water. Do not reinstall the dome until the next use, this will allow the recovery tank to dry out.
2. Flush the solution tank and inlet screen with clean water. Vacuum all water out using the Power Fill adapter.
3. Remove any debris on the scrub brush, vacuum head and around the spray jets.
4. Make sure the brush assembly lift lever is locked in the raised position.
5. Store your machine in a dry, protected area. **Do not expose this machine to rain, standing water or freezing temperatures.**

Periodically:

After continuous or repeated use the jets and check valves will need cleaning. Unplug the cord and empty the recovery and solution tanks. Tilt the machine backward. Remove the jet caps, jets and check valves shown in the brush assembly illustration and soak in white vinegar until visible deposits are dissolved, then scrub with a soft bristle brush. **Note: Jets and check valves should be replaced once a year,** because they tend to erode under extended use. This may cause overuse of solution and streaking.

An Authorized Service Center should perform the following procedures:

The cogged belt drive system rarely requires tightening. If the belt becomes loose from wear, it is time to replace it. To do so, remove acorn nut and thru-bolt from brush chassis lift handle. Gently tilt machine backwards. While holding the base of the brush housing with one hand, release the lift handle from the up/locked position. The brush housing pivots on a hinge that doesn't need to be removed. Loosen the two motor bracket mounting bolts with a 7/16" wrench. **DO NOT REMOVE THE BOLTS UNLESS YOU ARE REPLACING THE MOTOR.** Slide the motor away from the brush to tighten the belt or toward the brush to remove. If you are replacing the belt it will be necessary to remove the brush assembly to install a new one.

SERVICING (continued)

An Authorized Service Center should perform the following procedures:

The cogged belt drive system rarely requires tightening. If the belt becomes loose from wear, it is time to replace it. To do so:

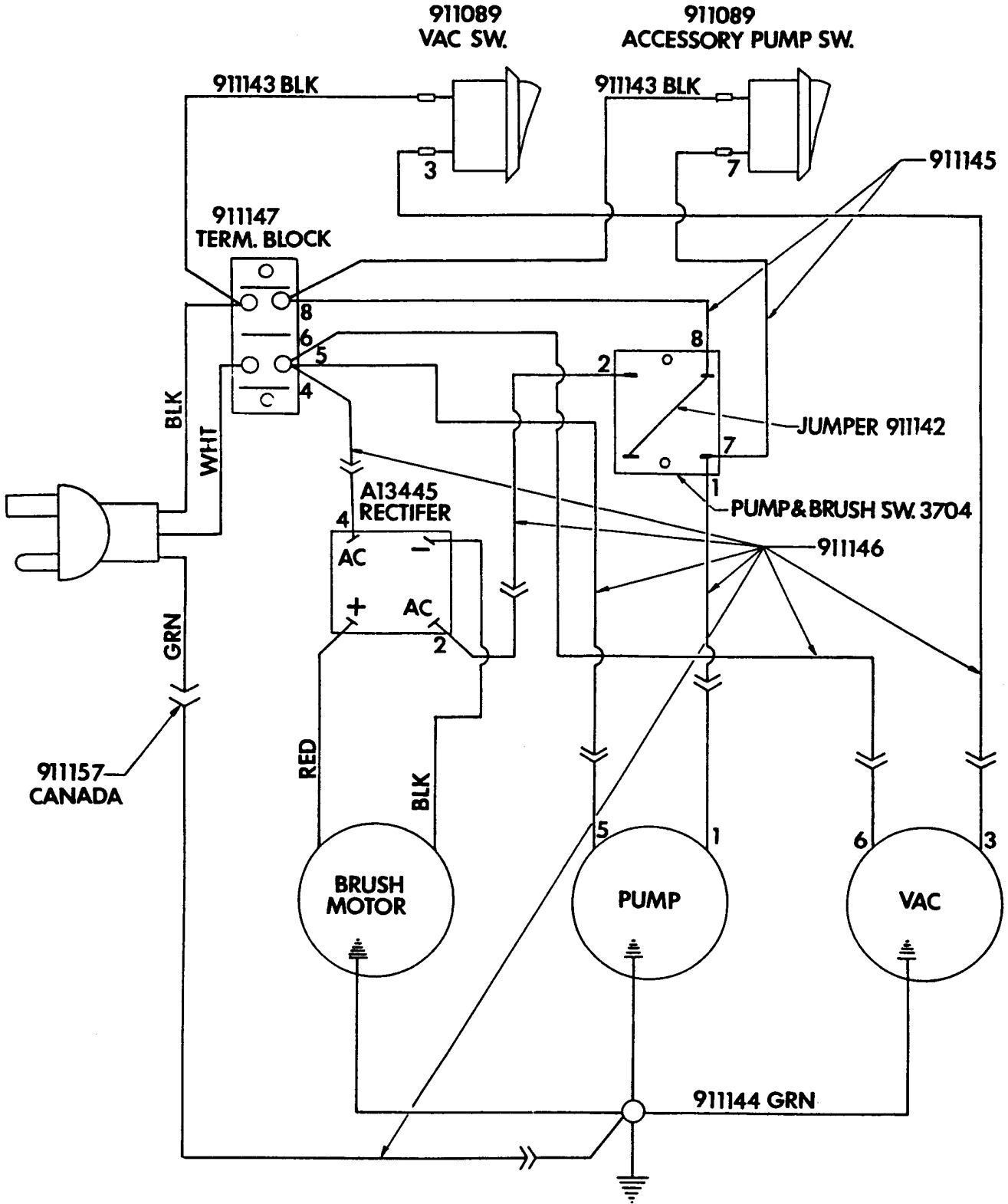
1. Remove acorn nut and thru-bolt from brush chassis lift handle
2. Gently tilt machine backwards
3. While holding the base of the brush housing with one hand, release the lift handle from the up/locked position. The brush housing pivots on a hinge that doesn't need to be removed
4. Loosen the two motor bracket mounting bolts with a 7/16" wrench. DO NOT REMOVE THE BOLTS UNLESS YOU ARE REPLACING THE MOTOR
5. Slide the motor away from the brush to tighten the belt or toward the brush to remove. If you are replacing the belt it will be necessary to remove the brush assembly to install a new one
6. Remove the two axle shaft retaining screws located on either side of the brush housing
7. Loop belt over cog and reinstall brush

Unlike a "V" type belt, the cogged belt is run with basically zero deflection. To test the belt tension, hold the belt between your thumb and forefinger and twist to the side. It should turn approximately 90° with little effort. If it twists more than 90°, retighten the belt.

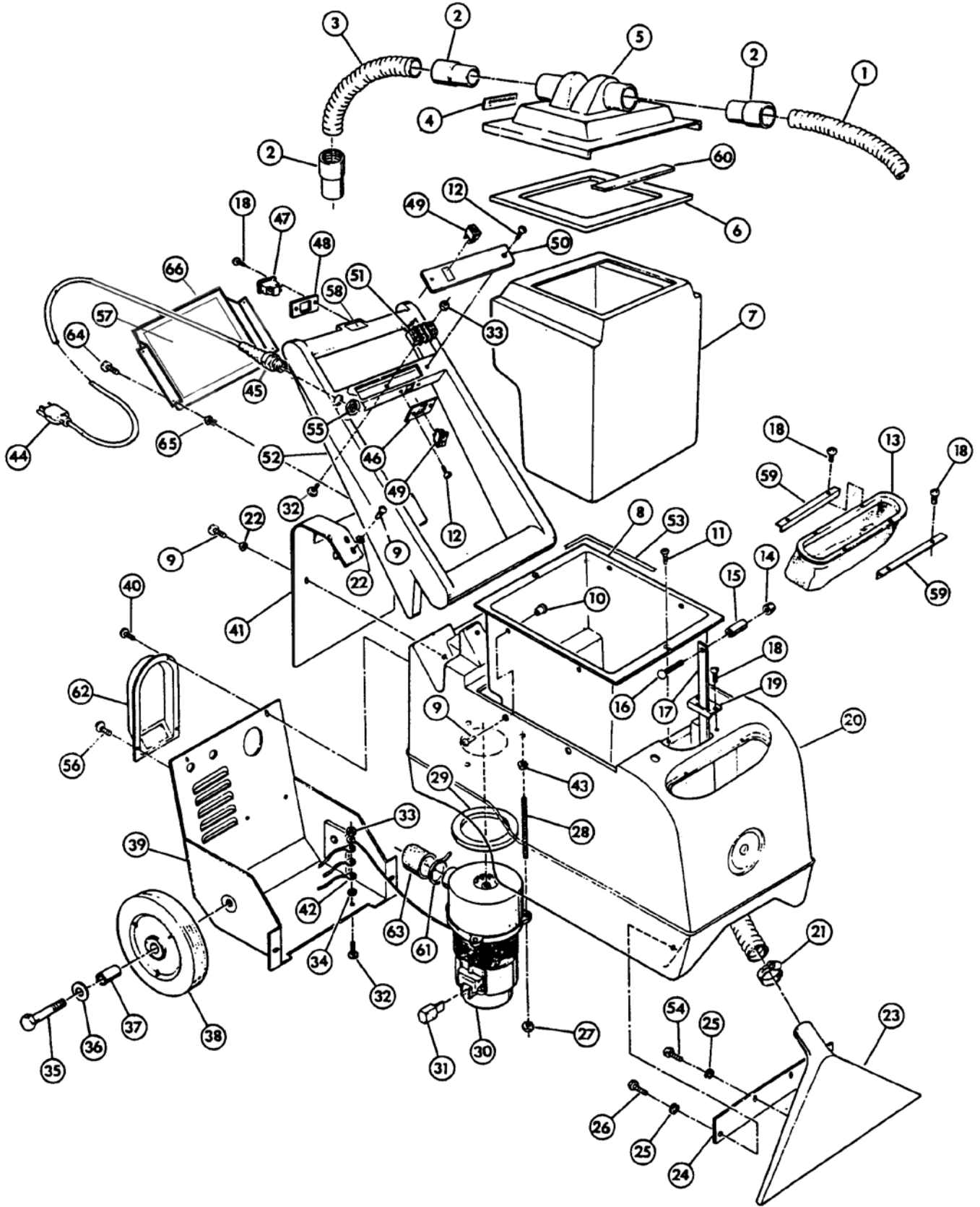
Additional service information is available from your local Pacific Floorcare distributor or through our Technical Service department.

SCE-4 SELF CONTAINED EXTRACTOR

WIRING DIAGRAM TRIUMPH 430



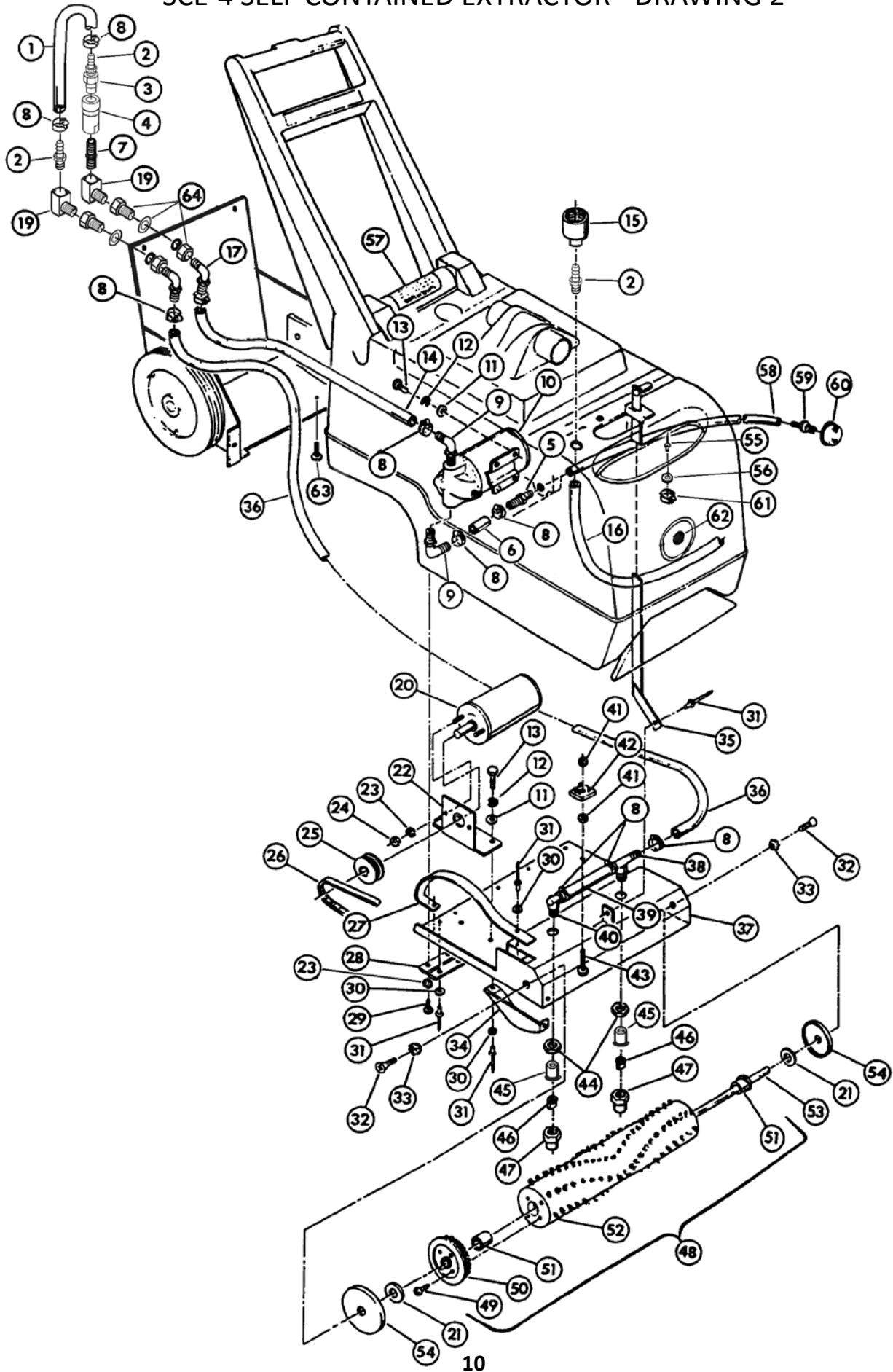
SCE-4 SELF CONTAINED EXTRACTOR - DRAWING 1



ITEM	PART NO.	DESCRIPTION	QTY.
1	204170	Hose, Vac Head, 17"	1
2	3698	Cuff, 1.5"	3
3	204171	Hose, Vac Short, 6"	1
4	245112	Decal, Warning Add Defoamer	1
5	202770	Dome	1
6	203470	Gasket, Dome	1
	202773	Dome Assm, Complete (Incl.4,5,6 & 60)	
7	202471	Container, Recovery Blue	1
8	208670	Liner, Blue	1
9	W172D	Screw, 10-24 x 3/8 PHP MS	10
10	920618	Nut, Connecting	4
11	W167D	Screw, 10-24 x 1/2 FHP MS	2
12	W136D1	Screw, #8 x 1/2 THP SMS	4
13	243301	Filter Assembly, Solution	1
14	W162D	Nut, 1/4-20 Acorn	1
15	205070	Knob, Brush Lift	1
16	962086	Bolt, 1/4-20 x 1-1/4 Carriage	1
17	203970	Bracket, Handle Lift	1
18	W136D1	Screw, #8 x 1/2 THP SMS	8
19	202470	Catch, Brush Lift	1
20	201375	Body, Blue	1
21	S611A	Clamp, Hose	1
22	980015	Washer, #10 External Tooth	7
23	204573	Vac Head	1
24	208570	Support, Vac Head	1
25	980002	Washer, 1/4-20 Split Lock	14
26	962006	Screw, 1/4-20 x 1/2 PHP SS	2
27	920011	Nut, 1/4-20 Elastic Stop	3
28	208451	Stud, Vac Motor Mount	3
29	603473	Gasket, Top Vacuum	1
30	245203	Motor, Vacuum, Rev. Flow 115V	1
	S589P	Motor, Vacuum 220V	1
31	200951	Brush, Carbon, Vac Motor 115V	2
	210904	Brush, Carbon, Vac Motor 220V	2

ITEM	PART NO.	DESCRIPTION	QTY.
32	W153D2	Screw, 10-24 x 3/4 PHP MS	3
33	W106D	Nut, 10-24 Hex SS	6
34	W124D	Washer, Lock #10 Int. Tooth	7
35	962103	Screw, 3/8-16 x 2-1/4 HHCS	2
36	980007	Washer, 5/16 Flat	2
37	208270	Spacer, Wheel	2
38	209771	Wheel, 6" Gray Non-Marking	2
39	201972	Chassis, Wheel	1
40	962056	Screw, 1/4-20 x 3/8 PHP	4
41	202370	Cover, Retainer	1
42	A13059	Terminal Ring 16-14 Blue	4
43	920004	Nut, 1/4-20 Hex	3
44	908059	Cord Assembly, 25'	1
45	A13020	Strain Relief	1
46	206671	Plate, Accessory Switch	1
47	3704	Switch, Momentary	1
48	206651	Plate, Momentary Switch	1
49	911089	Switch, Rocker 20Amp	2
50	206670	Plate, Rocker Switch	1
51	911147	Block, Terminal	1
52	203977	Handle, Black	1
53	203474	Gasket, Tacky Tape (Per Foot)	4
54	962068	Screw, 1/4-20 x 5/8 HH	2
55	920619	Nut, 1/2 Lock	1
56	962079	Screw, 10-24 x 1/4 PHP	2
57	205186	Label, Instruction	1
58	205171	Label, Push to Clean	1
59	200871	Bracket, Filter Frame	2
60	203473	Gasket	1
61	911104	Tie, Cable	1
62	202771	Deflector, Air Duct	1
63	202772	Duct, Air	1
64	W343D	Screw, 10-24 x 1 PHP MS	4
65	920026	Jacknut, 10-24 Zinc	4

SCE-4 SELF CONTAINED EXTRACTOR - DRAWING 2



ITEM	PART NO.	DESCRIPTION	QTY.
1	204182	Hose, Reinforced, 12"	1
2	203359	Fitting, 3/8 Hose Barb	3
3	203302	Quick Connect, 1/4 Male	1
4	203308	Quick Connect, 1/4 Female	1
5	203359	Fitting, 3/8 Hose Barb	1
6	204176	Hose, Tank to Pump	1
7	205752	Nipple, Close 1/4 NPT	1
8	S453P	Clamp, Hose	10
9	3765	Elbow, 90° 3/8 to 3/8 Nylon	2
10	217003	Pump, 60 PSI, 115V	1
	217004	Pump, 60 PSI, 220V	1
	209406	Kit, Valve	1
11	980004	Washer, 1/4 Flat	6
12	980002	Washer, 1/4 Split Lock	4
13	W169D	Screw, 1/4-20 x 1/2 HH CS SS	6
14	204181	Hose, Bulkhead to Pump	1
15	240202	Adaptor, Hose to Dome	1
16	244107	Hose, Adapter Fill	1
17	3771	Elbow, 1/4 to 3/8 Male Barb	2
19	T4027	Elbow, 1/4 90° Brass	2
20	A13017	Motor, Brush, 115V	1
	3760	Motor, Brush, 220V	1
21	980612	Washer, Thrust	2
22	200870	Bracket, Motor	1
23	W124D	Washer, #10 Internal Tooth	7
24	W329D	Nut, #10-32 Hex SS	2
25	3708	Cog, Motor	1
26	3740	Belt, Drive	1
27	203670	Guard, Splash	1
28	A129671	Hinge	1
29	W172D	Screw, 10-24 x 3/8 PHP MS	5
30	980033	Washer, #6 Flat SS	9
31	W363D	Rivet, Pop	5

ITEM	PART NO.	DESCRIPTION	QTY.
32	W353D	Screw, 1/4-20 x 5/8 FHPMS SS	2
33	980032	Washer, 1/4 FH External Tooth	2
34	A13438	Guard, Belt	1
35	203970	Handle, Brush Lift	1
36	204174	Hose, Valve to Jets	1
37	D13175	Chassis, Brush	1
38	S999P	Tee Fitting w/Nut	1
39	204178	Hose, Jet to Jet	1
40	S452P	Elbow, D.T. Jet 3/8 w/Nut	1
41	920617	Nut, 8-32 Nylon Hex	2
42	A13445	Rectifier, Bridge	1
43	W205D	Screw, 8-32 x 1 PHS Nylon	1
45	209472	Valve, Check	2
46	S982P	Jet, 11004 Brass	2
47	S973P	Cap, Jet	2
48	200970	Brush Assembly, Complete	1
49	962062	Screw, #8 x 1 HILO PHP TCS	4
50	3743	Cog, Brush	1
51	3677	Bearing, Rulon Sleeve	2
52	3731	Brush (Only)	1
53	217701	Shaft, Brush	1
54	213601	Guard, Brush Thread	2
55	930005	Rivet, Aluminum Pop	1
56	W107D	Washer, 3/16 Flat SAE SS	1
57	D167C	Label, Warning Disconnect	1
58	204179	Tubing, 1/4 Vinyl (By Foot)	2.25
59	S535P	Fitting, Barb 1/4 to 3/8 MPT	1
60	S626P	Strainer, 3/8 NPT SLS	1
61	612001	Clamp, Cable	1
62	221373	Plug, Button	1
63	W153D2	Screw, 10-24 x 3/4 PHP MS SS	1
64	T4056	Coupling, 1/4 Brass	2

WARRANTY POLICY
EXTRACTOR, SELF CONTAINED, SCE-4

The **Pacific Floorcare SCE-4** self contained extractors have been manufactured, tested and inspected in accordance with specific engineering requirements and are **WARRANTED** to be free from defects in workmanship and materials as follows:

Five (5) years parts, One (1) year labor - Rotationally molded polyethylene components

One (1) year parts and labor – All other components unless excluded below.

This warranty extends to the original user/purchaser and only when used, operated and maintained in accordance with **Pacific** Operating and Maintenance instructions.

This warranty does not apply to the following wear parts and accessories of the machine including:

<u>Part Number</u>	<u>Part Name</u>
908059	Cord Assembly
209770	Wheel
243301	Filter
209472	Check Valve
S982P	Jet
3740	Belt
3731	Brush
200951	Carbon Brush, 115V Motor
210904	Carbon Brush, 220V Motor

Nor does it apply to damage or failure caused by improper use, abuse or neglect. Warranty credit or replacement of return parts including motors, etc., is subject to incoming inspection of those items.

To secure repair under this warranty, the following procedure should be taken:

- The inoperative machine or warranted parts must be delivered to the authorized dealer with shipping and delivery charges prepaid. If unable to locate the Dealer, you may contact **Pacific** at the address listed herein for the location of the nearest **Pacific** repair center or agent or for other instructions pertaining to your warranty difficulty.
- Upon compliance with the above warranty procedure, all warranted repairs would be completed at no additional charge or cost to the user.
- Only **Pacific** or its authorized dealers and agents may make no charge warranty repairs on this product. All others do so at their own risk.

This warranty limits **Pacific** liability to the repair of the product and/or warranted parts replacement and does not include incidental or consequential damages arising from the use of a **Pacific** machine whether defective or not.

This warranty is in lieu of all other expressed or implied warranties and is extended to the original purchaser/user.



PACIFIC[™]
F L O O R C A R E

PURPOSE BUILT.[™]

2259 S. SHERIDAN DRIVE
MUSKEGON, MICHIGAN 49442-6252
800-968-1332
FAX 800-863-9536