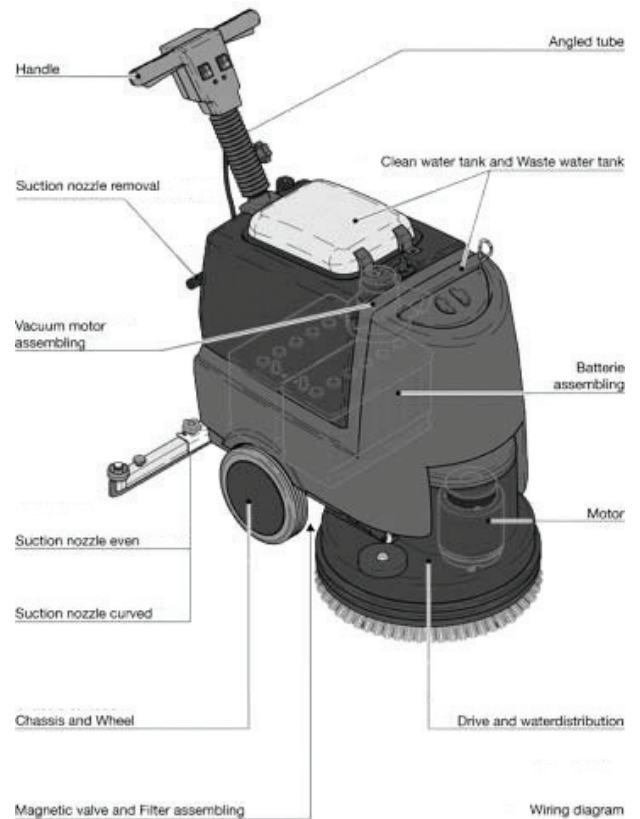


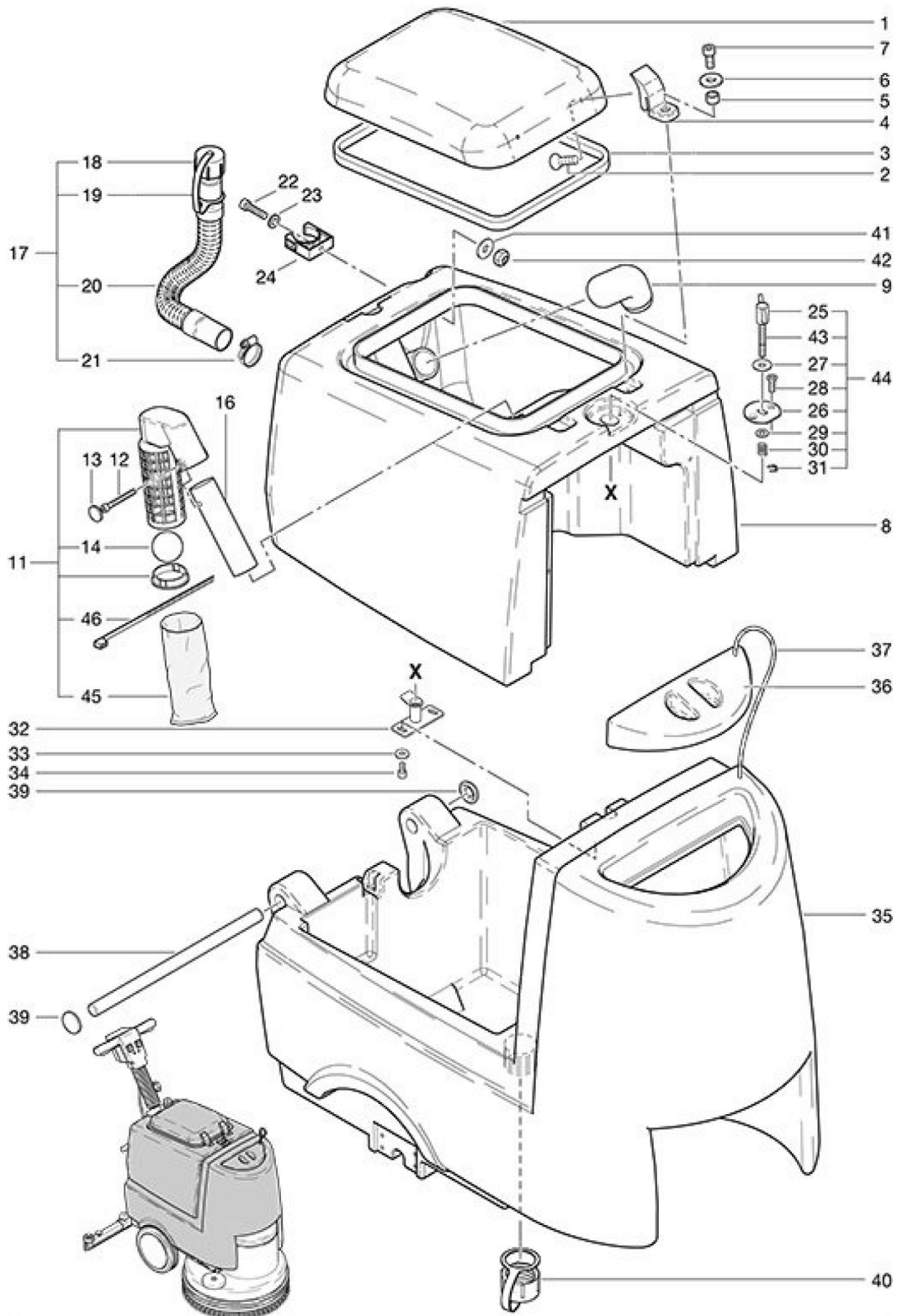
SD-17B 17-Inch Single Brush, Battery Powered Autoscrubber Parts Lists and Schematic Drawings

Index

Clean and Waste Water Tanks Drawing	Page 2
Clean and Waste Water Tanks Parts List	Page 3
Drive and Water Distribution Drawing	Page 4
Drive and Water Distribution Parts List	Page 5
Magnetic Valve and Filter Assembly Drawing	Page 6
Magnetic Valve and Filter Assembly Parts List	Page 7
Motor Drawing	Page 8
Motor Parts List	Page 9
Vacuum Motor Assembly Drawing	Page 10
Vacuum Motor Assembly Parts List	Page 11
Suction Nozzle Curved Drawing	Page 12
Suction Nozzle Curved Parts List	Page 13
Suction Nozzle Even Drawing	Page 14
Suction Nozzle Even Parts List	Page 15
Suction Nozzle Removal Drawing	Page 16
Angled Tube Drawing	Page 17
Angled Tube Parts List	Page 18
Chassis and Wheel Drawing	Page 19
Chassis and Wheel Parts List	Page 20
Handle Drawing	Page 21
Handle Parts List	Page 22
Battery Assembly Drawing	Page 23
Battery Assembly Parts List	Page 24
Wiring Diagram	Page 25



SD-17B 17-Inch Single Brush, Battery Powered Autoscrubber Clean and Waste Water Tanks Schematic Drawing



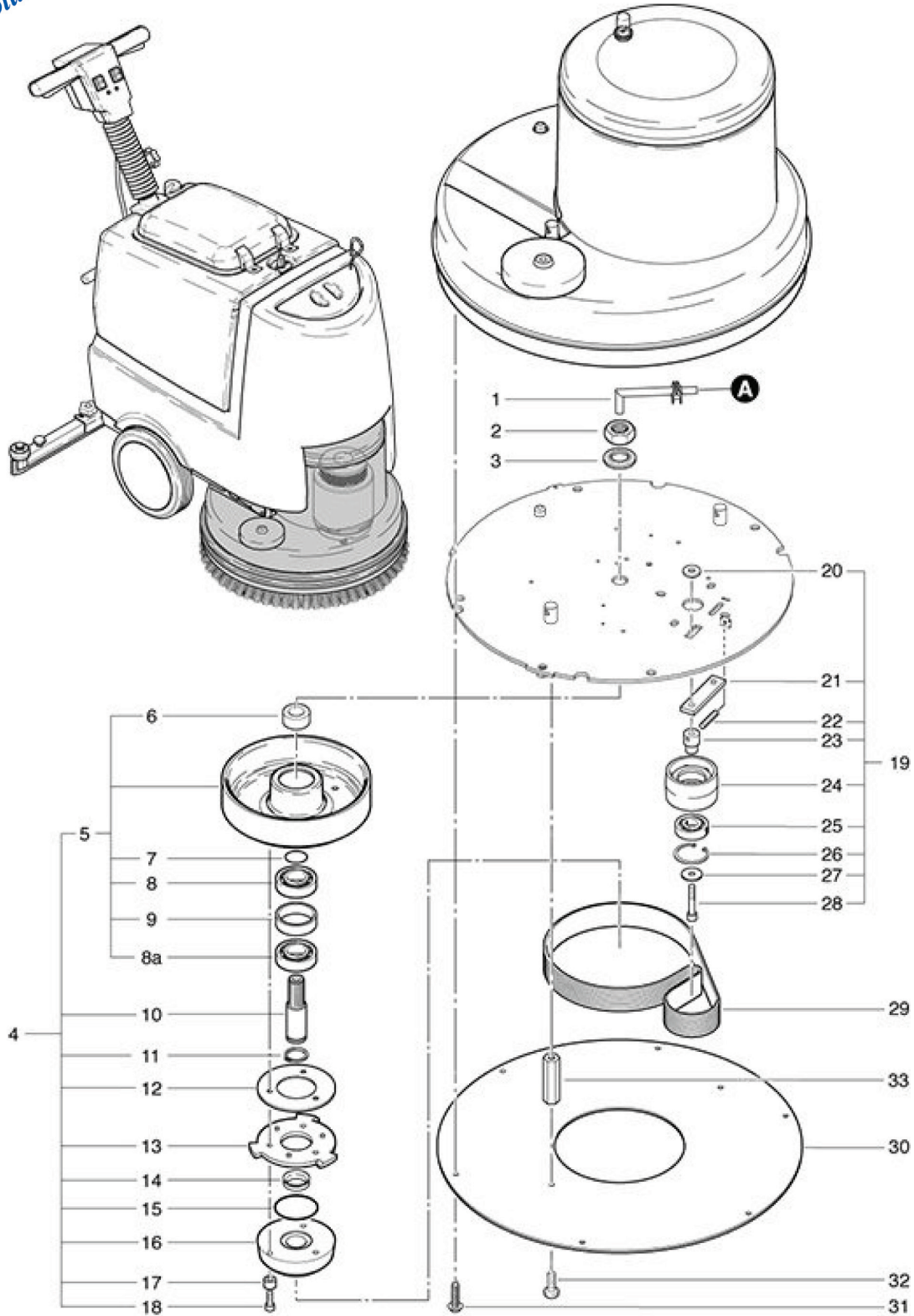


SD-17B 17-Inch Single Brush, Battery Powered Autoscrubber Clean and Waste Water Tanks Parts List

Pos.	Description	Reference
01	Cover	710.120
02	Countersunk screw M 4x8	P...480 O
03	Seal for cover	710.121
04	Hinge	710.122
05	Distance piece	430.618
06	Washer M 6	P...497 K
07	Cylindrical screw M 5x12	P...488 B
08	Waste water tank	436.200
09	Angled piece	560.674
11	Float basket kompl.	432.300
12	Cylindrical screw M 6x50	P...477 Y
13	Straight-knurled knobs for I-6kt. POM black M 6/10/20/7.5	P...494 X
14	Ball Ø 45 mm	432.304
16	Suction tube to blower	432.205
17	Discharge hose complete, including Items 18-21	710.126 A
18	Cover for hose socket	500.410
19	Hose socket	500.409
20	Discharge hose	710.126 A
21	Hose clamp	P...206 D
22	Cylindrical screw M 5x25	P...488 K
23	Washer M 5	P...497 G
24	Hose clamp	P...109 A
25	Wing nut	P...174
26	Edition to catch	436.221
27	Washer m 8x24	P...497 T
28	Countersunk screw	P...480 P
29	Washer M 8x16	P...496 P
30	Compression spring	436.228
31	Snap ring Ø 6 mm	P...500 K
32	Tank adjustment	432.407
33	Washer M 5x15	P...496 G
34	Filister-head screw	P...481 Z
35	Clean water tank	436.100
36	Freshwater tank cover	432.115
37	Cord Ø 3x260 mm	432.750
38	Axle	436.220
39	Guard ring with cap	P...499 L
40	Cover of complete for execution	432.110
41	Washer M 5	P...496 G
42	Security nut M 5	P...493 G
43	Threaded pin	436.226
44	Catch comp. including items 25-31 + 43	436.225
45	Filter bag	432.315
46	Cable tie 2.4 mm x 203 mm	P...609 B



SD-17B 17-Inch Single Brush, Battery Powered Autoscrubber Drive and Water Distribution Schematic Drawing



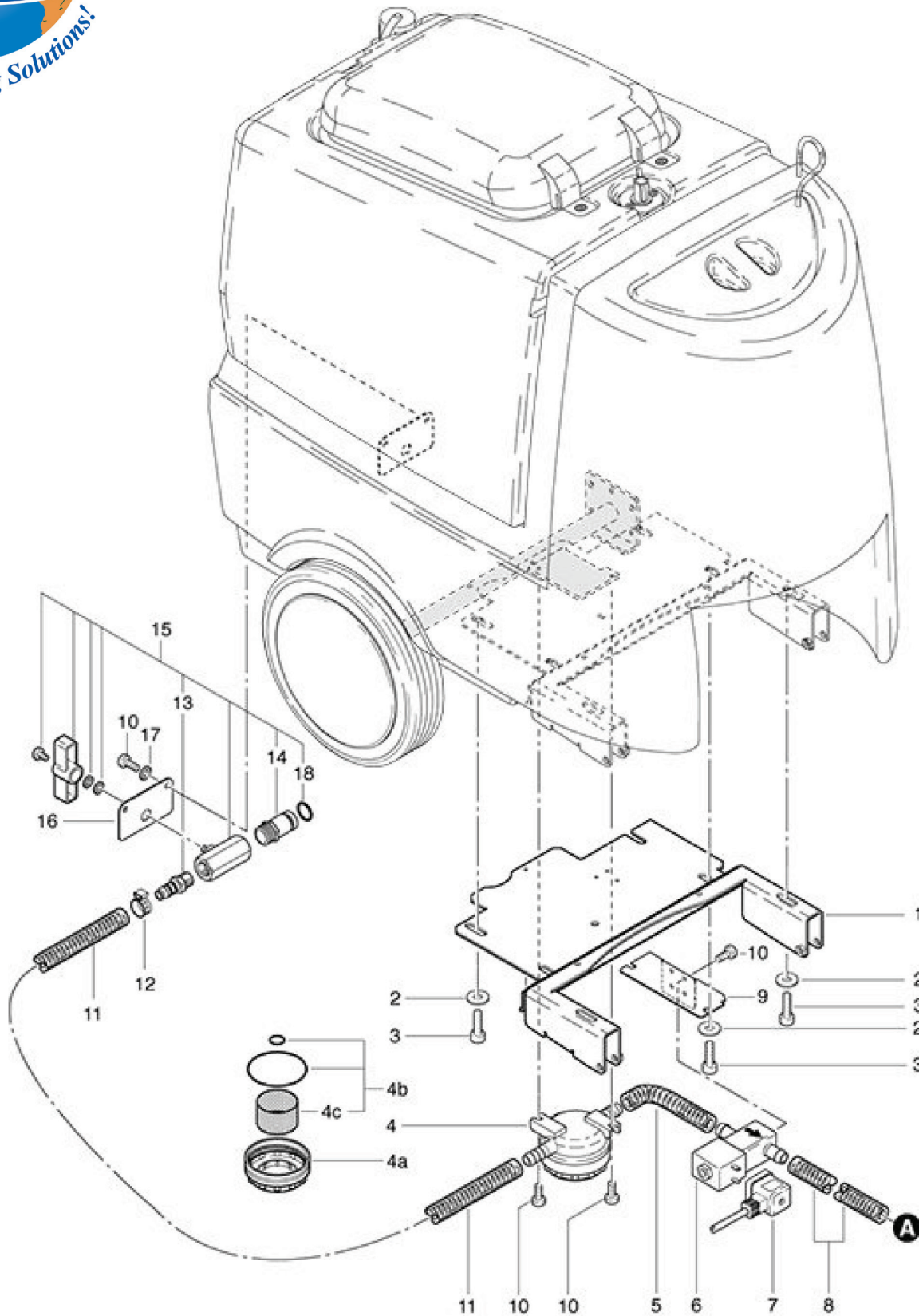


SD-17B 17-Inch Single Brush, Battery Powered Autoscrubber Drive and Water Distribution Parts List

Pos.	Description	Reference
01	Distribution tube	432.166
02	Hexagon nut M 20x1.5	P...492 R
03	Washer M 20/20.5x40	P...498 Q
04	Belt wheel pre-mounts including items 5-18	742.126
05	Drive pulley complete, including items 6-9	742.130
06	Can	432.507
07	O-ring 25x2.62	P...964 A
08	Ball bearing	P...316 Q
08a	Ball bearing	P...316 P
09	Intermediate ring	3611851
10	Main axle	741.125
11	Security ring Ø 25	P...513 D
12	Distance ring 46x99x1	430.136
13	Star wheel	742.141
14	V-profile ring	P...343 A
15	O-ring 52x2.62	P...964 B
16	Brush support	430.157
17	Distance ring 6/8x4 mm	742.129
18	Cylindrical screw M 6x20	P...487 S
19	Idler compl.	742.116
20	Groove nut	720.125
21	Support	720.128
22	Thread pin I-6kt. M 6x25	P...513 K
23	Federation tap	720.127
24	Idler	742.117
25	Ball bearing	P...316 O
26	Security ring	P...513 G
27	Washer M 8	P...496 Q
28	Cylindrical screw M 8x25	P...487 T
29	Rib tape	720.115
30	Cover plate	501.517
31	Tapping screw K 50x25	P...515 LA
32	Fillister-head screw M 5x16	P...476 E
33	Distance stops	501.521



SD-17B 17-Inch Single Brush, Battery Powered Autoscrubber Magnetic Valve and Filter Assembly Drawing



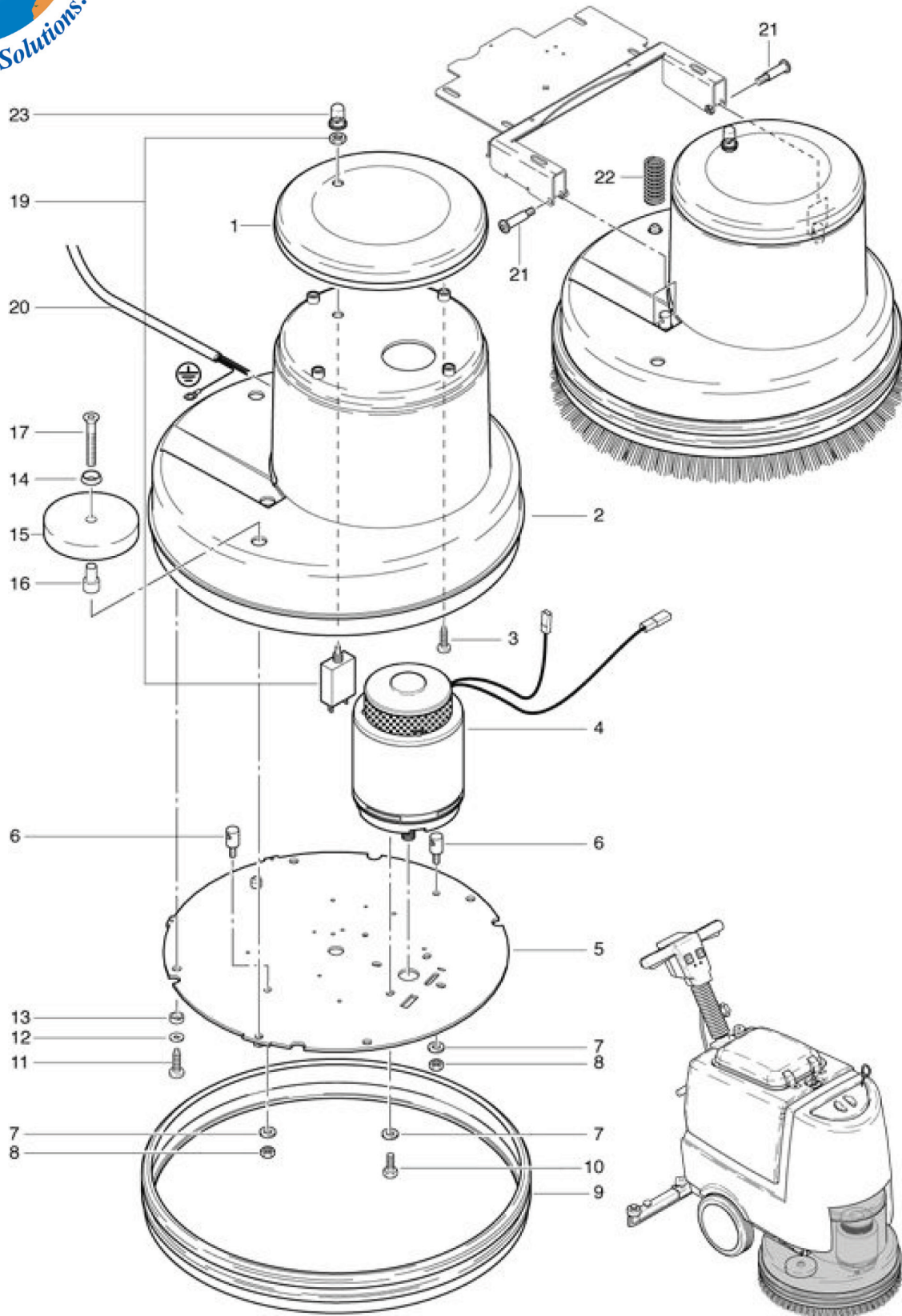


SD-17B 17-Inch Single Brush, Battery Powered Autoscrubber Magnetic Valve and Filter Assembly Parts List

Pos.	Description	Reference
01	Girder sheet metal	436.052
02	Washer M 6	P...496 L
03	Hexagon screw M 6x12	P...486 Q
04	Filter compl.	430.759 A
04a	Filter cover	430.258
04b	Filter kit	430.759 A
04c	Filter	430.759 B
05	Hose 95 mm	501.091
06	Magnetic vale 24 V	P...258
07	Cable for magnetic valve	436.710
08	Hose 225 mm	432.152
09	Valve support plate	501.233
10	Truss head screw M 5x10	P...481 Z
11	Hose 390 mm	432.151
12	Hose clip 19.8-706R	P...550 N
13	Straight nipple	P...519 B
14	Nipple	432.087
15	Valve complete	432.085
16	Disk to ball valve	432.088
17	Serrated lock washer M 5	P...498 D
18	O-ring	P...960 O



SD-17B 17-Inch Single Brush, Battery Powered Autoscrubber Motor Drawing



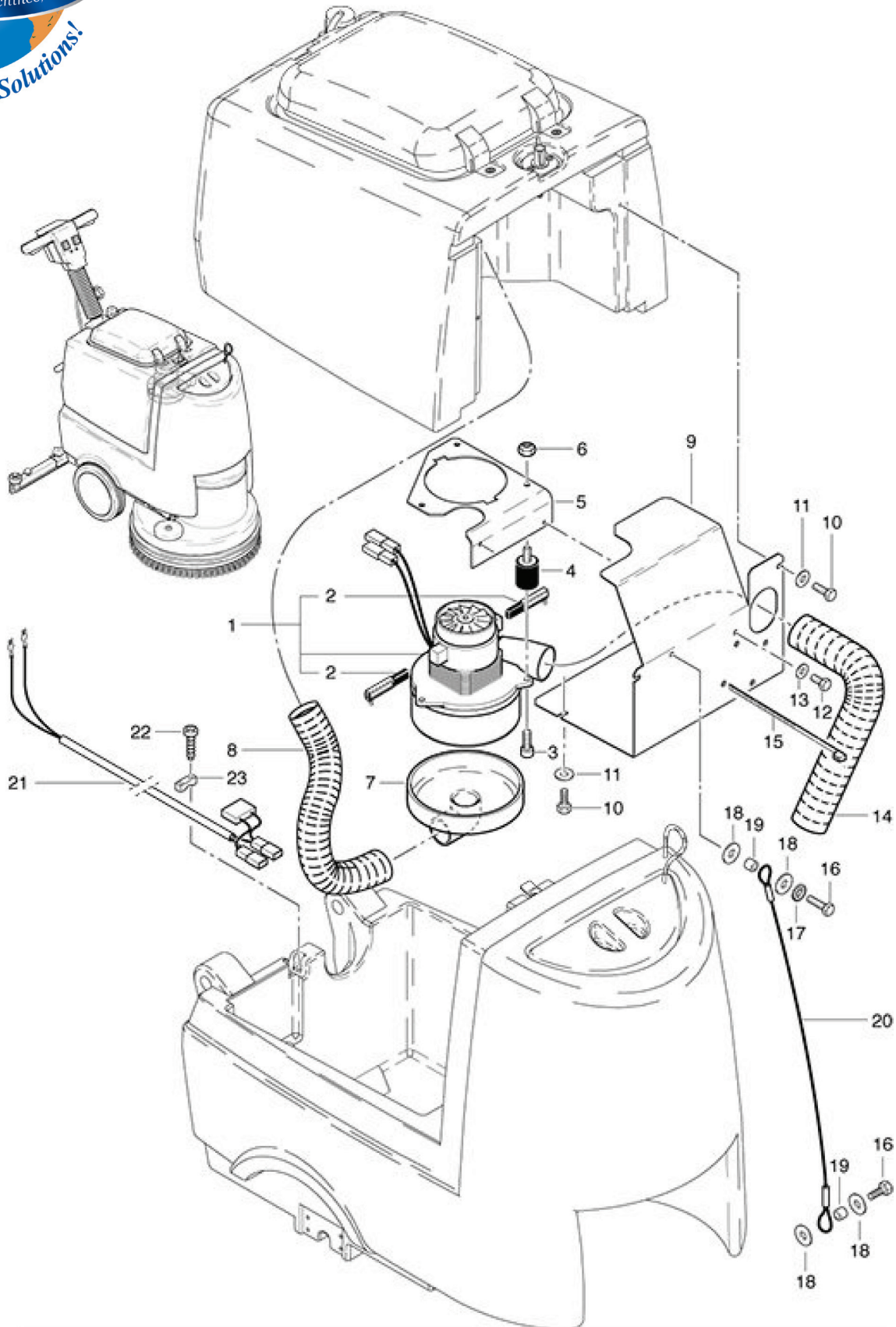


SD-17B 17-Inch Single Brush, Battery Powered Autoscrubber Motor Parts List

Pos.	Description	Reference
01	Cover	748.067 O
02	Cover	501.510
03	PT-screw KA 50x24	P...515 L
04	Motor complete 24 V / DC 800 W	470.121
05	Drive disk	501.502
06	Hold bolt	432.505
07	Washer M 8	P...496 P
08	Hexagon nut M 8	P...492 H
09	Shock protection	501.515
10	Hexagon screw M 8x16	P...471 D
11	PT-screw KA 50x10	P...515 LA
12	Washer M 5	P...496 G
13	Distance ring	432.515
14	Washer M 8/25/4.8 mm	P...500 T
15	Fender wheel Ø 90 mm	510.127
16	Distance ring	432.508
17	Hexagon screw M 8x45	P...488 U
19	Protective switchgear 25 A	470.355
20	Motor cable	436.314
21	Pass shoulder screw 8x285 M6x6	432.521
22	Compression spring 56x18x2	436.520
23	Protective cap E-T-A	500.957 A



SD-17B 17-Inch Single Brush, Battery Powered Autoscrubber Vacuum Motor Assembly Drawing



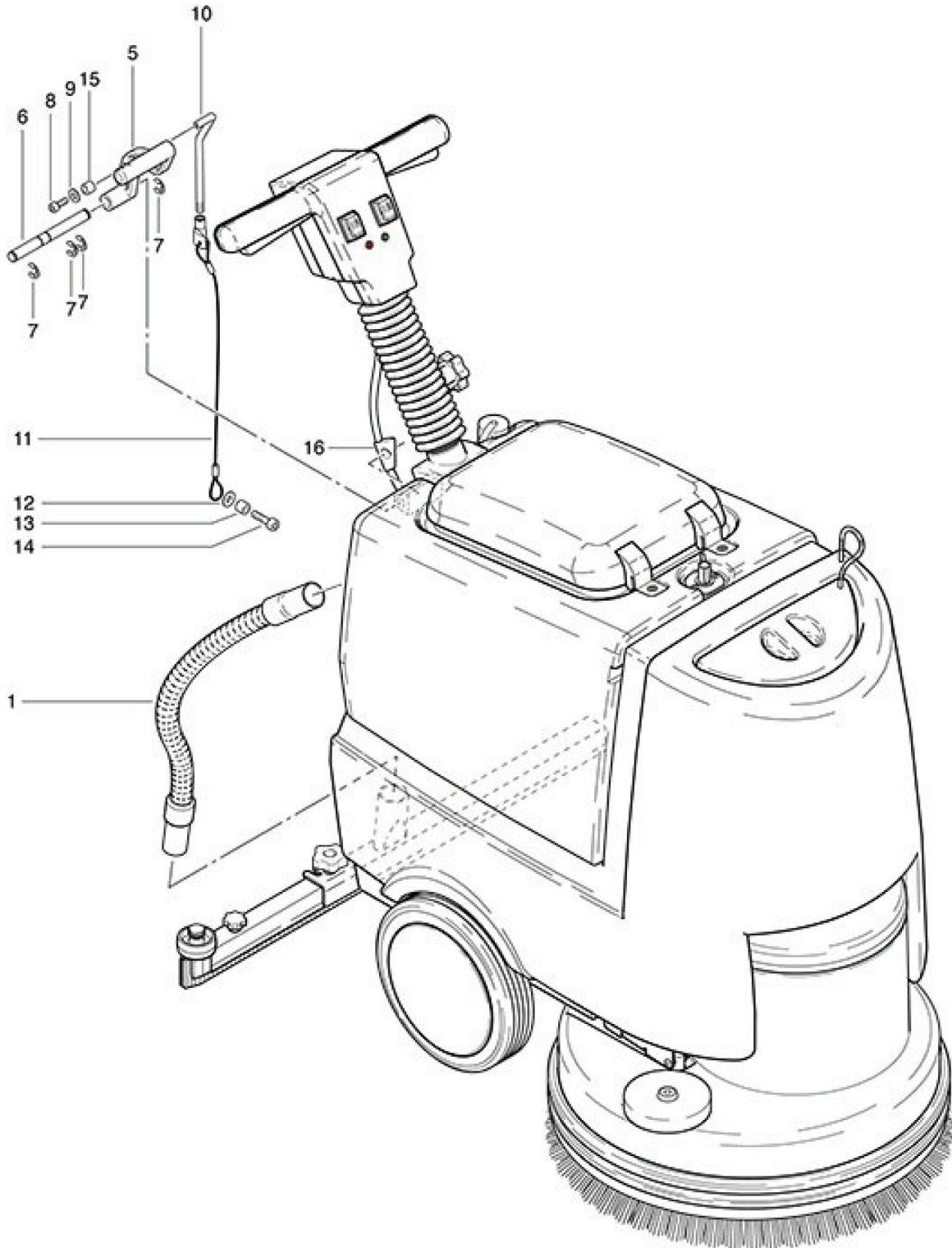


SD-17B 17-Inch Single Brush, Battery Powered Autoscrubber Vacuum Motor Assembly Parts List

Pos.	Description	Reference
01	Vacuum motor 24 V/400 W	440.206
02	Pair of carbon brushes	P...870 KB
03	Cylindrical screw M 6x12	P...486 Q
04	Round buffer	400.217
05	Motor support	436.355
06	Locknut M 6	P...493 K
07	Top cap	470.490
08	Suction hose	436.353
09	Cover to blower	436.354
10	Hexagon screw M 6x10	P...471 Z
11	Washer M 6	P...496 S
12	Hexagon screw M 6x16	P...470 T
13	Washer M 6	P...497 K
14	Drain hose	470.488
15	Cable strap	P...424
16	Hexagon screw M 6x16	P...470 T
17	Washer M 6	P...499 D
18	Washer M 6x25	P...497 Y
19	Distance piece	742.129
20	Polyester-hurry 4x640 mm	436.447
21	Cable tree with capacitor	436.357
22	Fillister-head screw M 5x16	P...476 E
23	Cable clamp	4611085



SD-17B 17-Inch Single Brush, Battery Powered Autoscrubber Suction Nozzle Curved Drawing



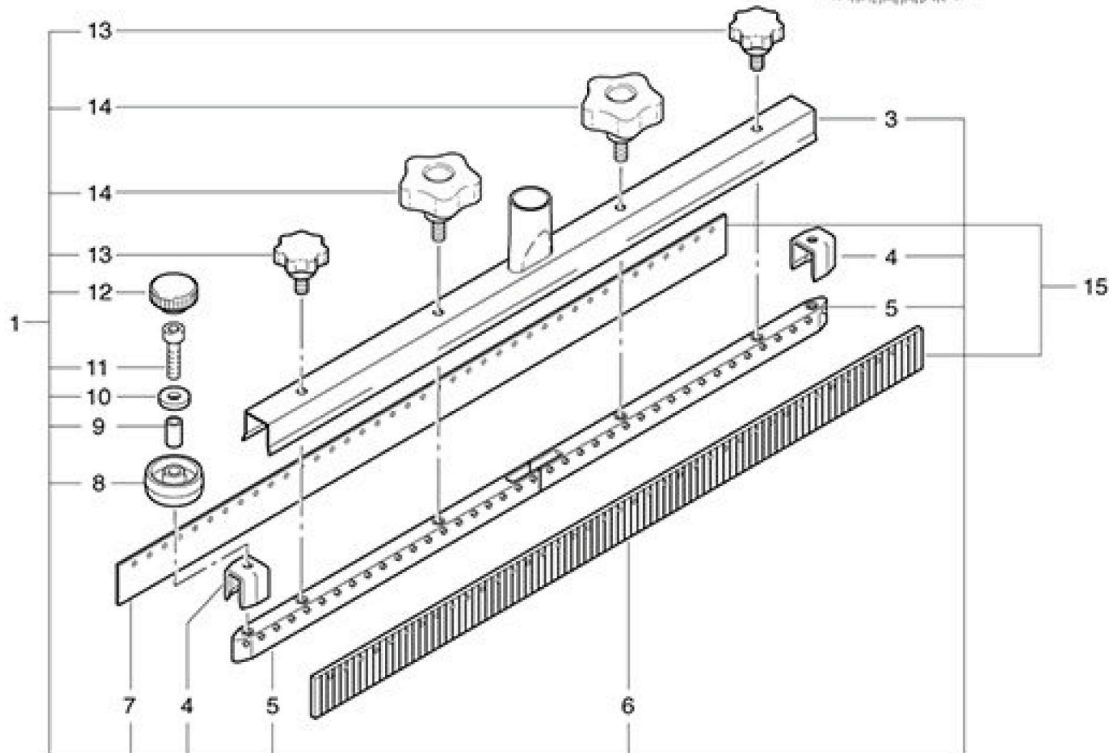
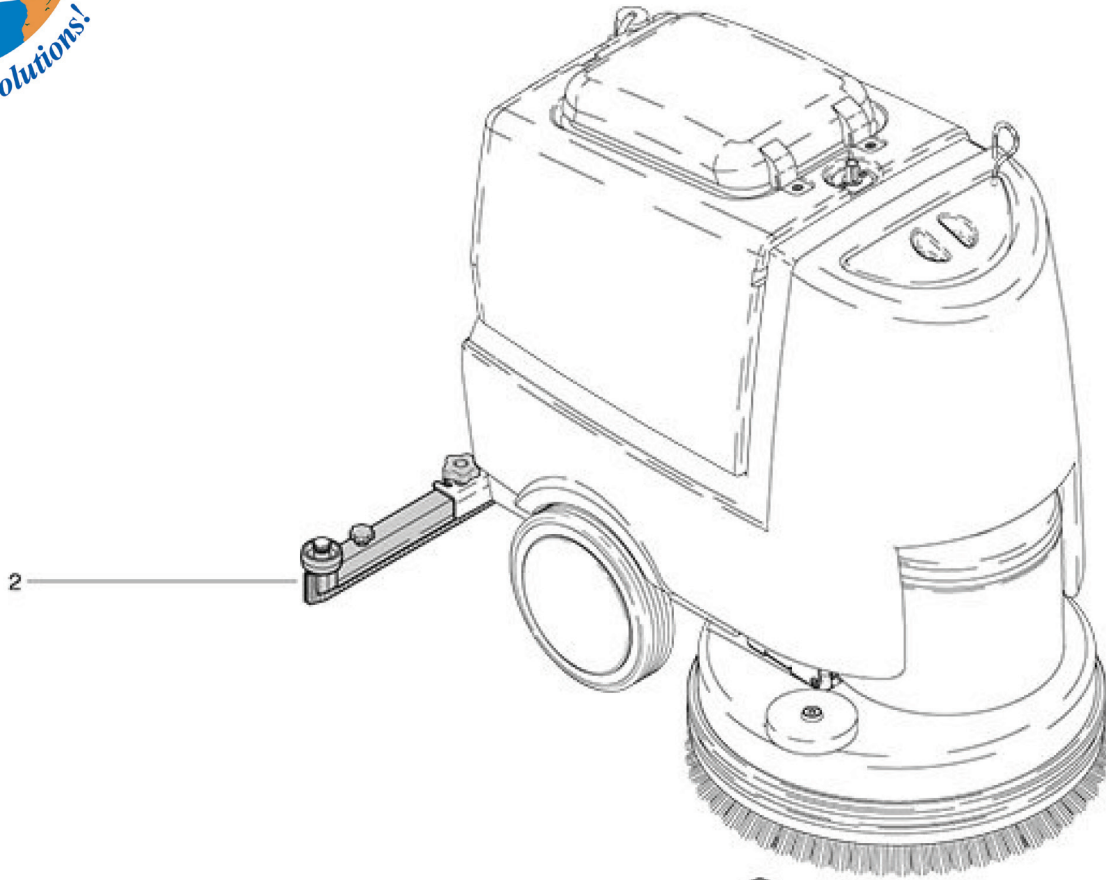


SD-17B 17-Inch Single Brush, Battery Powered Autoscrubber Suction Nozzle Curved Parts List

Pos.	Description	Reference
01	Suction nozzle curved compl. including items 3-22	432.550
02	Hose complete	470.832
03	Suction nozzle body	432.555
04	Suction lip in front, grey 3 mm	432.602
05	Support plate small, in front	432.561
06	Support plate in front	432.563
07	Set screw	800.425
08	Suction lip rear, 3 mm	432.603
09	Support plate small in the back	432.564
10	Support plate in the back	432.562
11	Cylindrical screw M 6x25	P...488 Q
12	Star handle Ø 62 mm	P...253 J
13	Fender wheel Ø 90 mm	510.127
14	Distance ring	432.508
15	Countersunk screw M 8x45	P...479 P
16	Disk for countersunk screw	P...500 T
17	Role owner left	432.553
18	Role owner on the right	432.554
19	Carrosserie disk Ø 8,4x30/1,5	P...500 N
20	Castor compl.	P...209 B
22	Countersunk screw M 6x16	P...487 W
23	Suction nozzle with dust extraction hose of complete stock from pos. 1+2	432.031
24	Suction lips set, oil and fatsteadily	432.551
24	Suction lips set, standard	432.552



SD-17B 17-Inch Single Brush, Battery Powered Autoscrubber Suction Nozzle Even Drawing



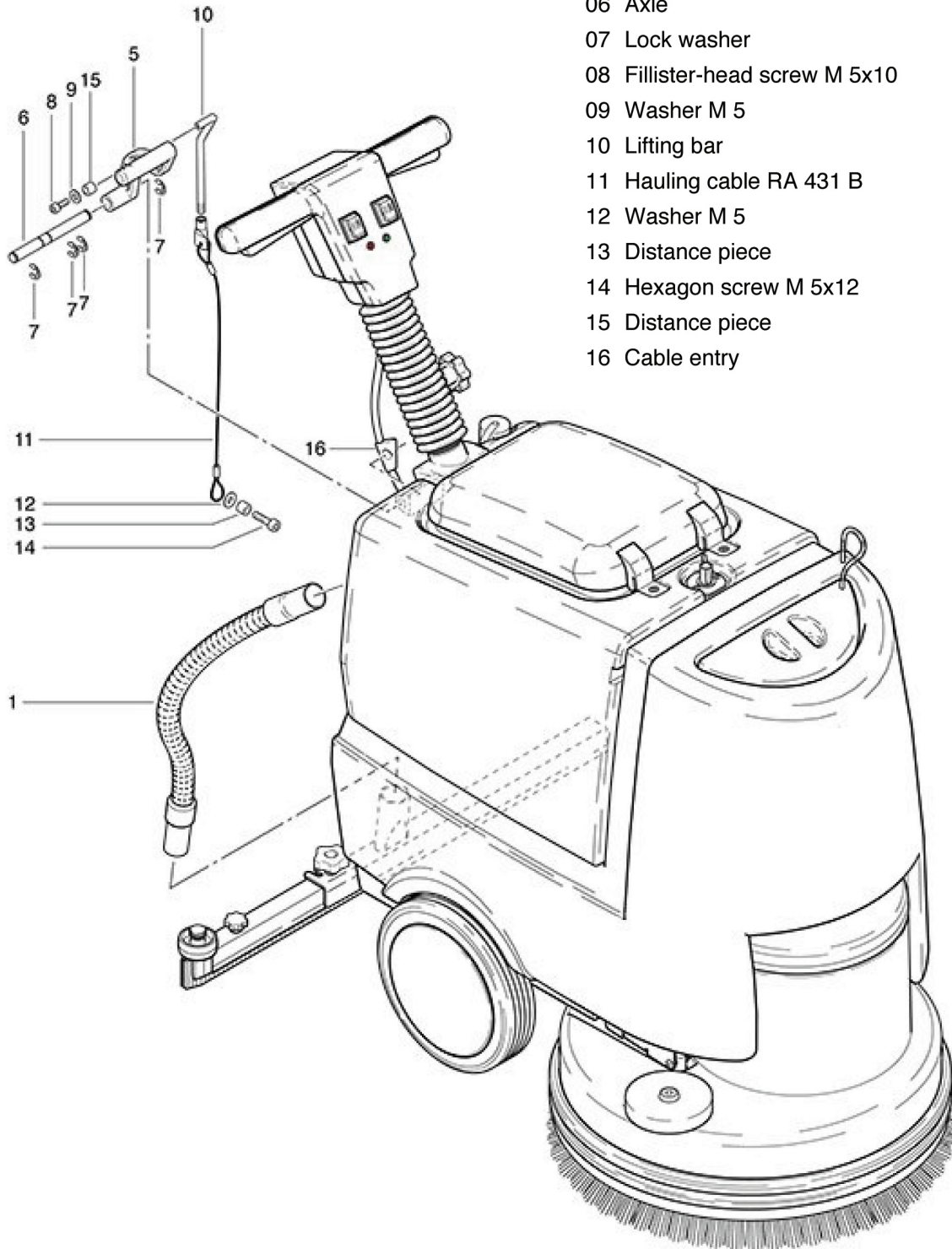


SD-17B 17-Inch Single Brush, Battery Powered Autoscrubber Suction Nozzle Even Parts List

Pos.	Description	Reference
01	Suction nozzle even 80 cm compl. including items 3-14	510.650
02	Suction nozzle even 80 cm compl. including items 3-15	501.020
03	Clamping guide	430.602
04	Nozzle end piece	530.606
05	Nozzle insert	530.601
06	Rubber blade (brown)	530.603
07	Rubber blade (beige)	530.604
08	Fender wheel	450.364 F
09	Distance piece	530.609
10	Washer 6/16x1 mm	P...497 M
11	Cylindrical screw M 6x35	P...486 U
12	Screw knob M 6x20	P...494 X
13	Star handle	530.607
14	Star handle Ø 62 mm	P...253 J
15	Suction lips set, standard	530.080
15	Suction lips set, oil and fatsteadily	560.080



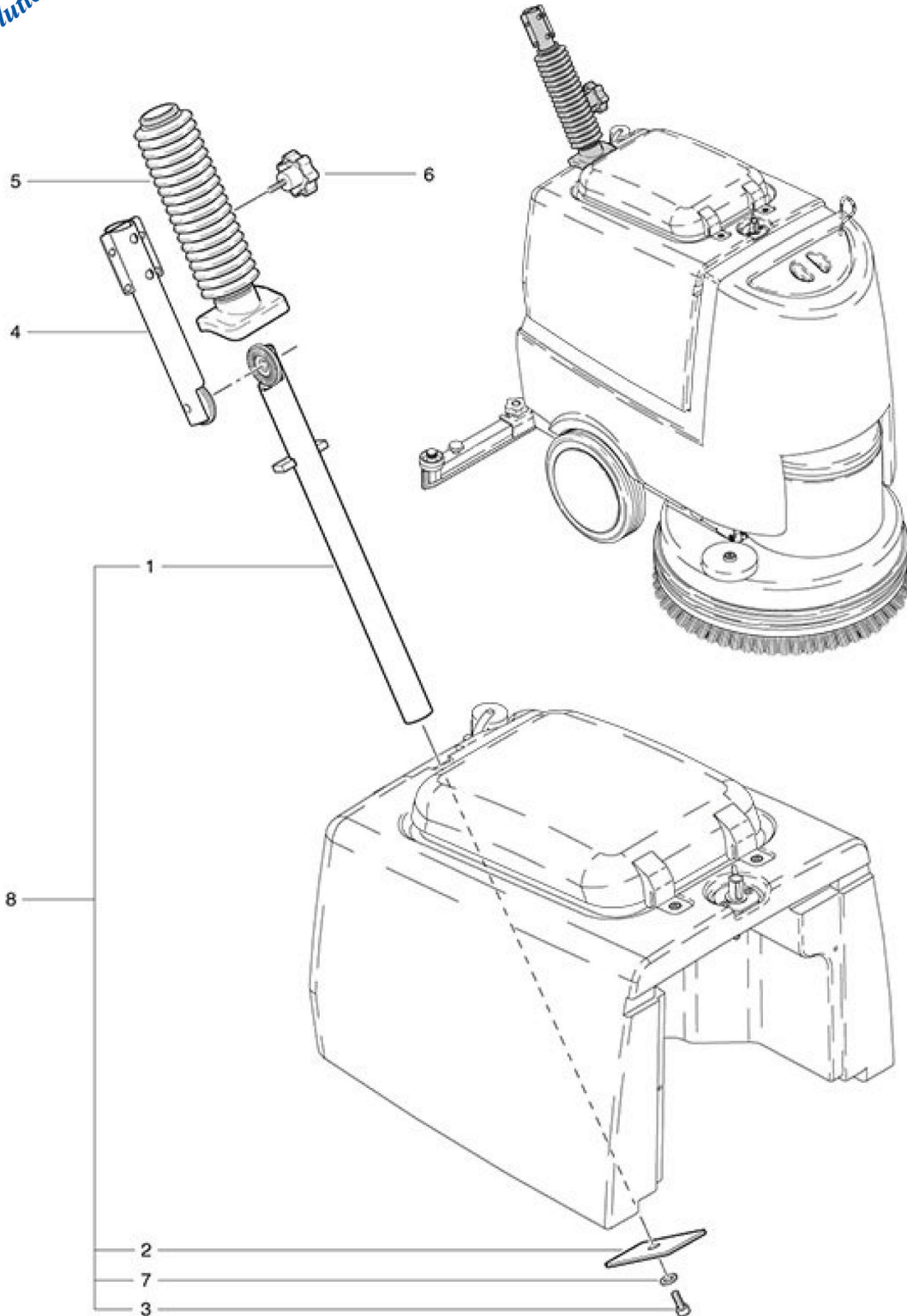
SD-17B 17-Inch Single Brush, Battery Powered Autoscrubber Suction Nozzle Removal Drawing and Parts List



Pos.	Description	Reference
01	Hose complete	470.831
05	Lever to siction nozzle	432.365
06	Axle	432.361
07	Lock washer	P...499 Q
08	Fillister-head screw M 5x10	P...481 Z
09	Washer M 5	P...496 G
10	Lifting bar	432.370
11	Hauling cable RA 431 B	436.817
12	Washer M 5	P...496 K
13	Distance piece	430.618
14	Hexagon screw M 5x12	P...472 F
15	Distance piece	P...509 J
16	Cable entry	432.362



SD-17B 17-Inch Single Brush, Battery Powered Autoscrubber Angled Tube Drawing



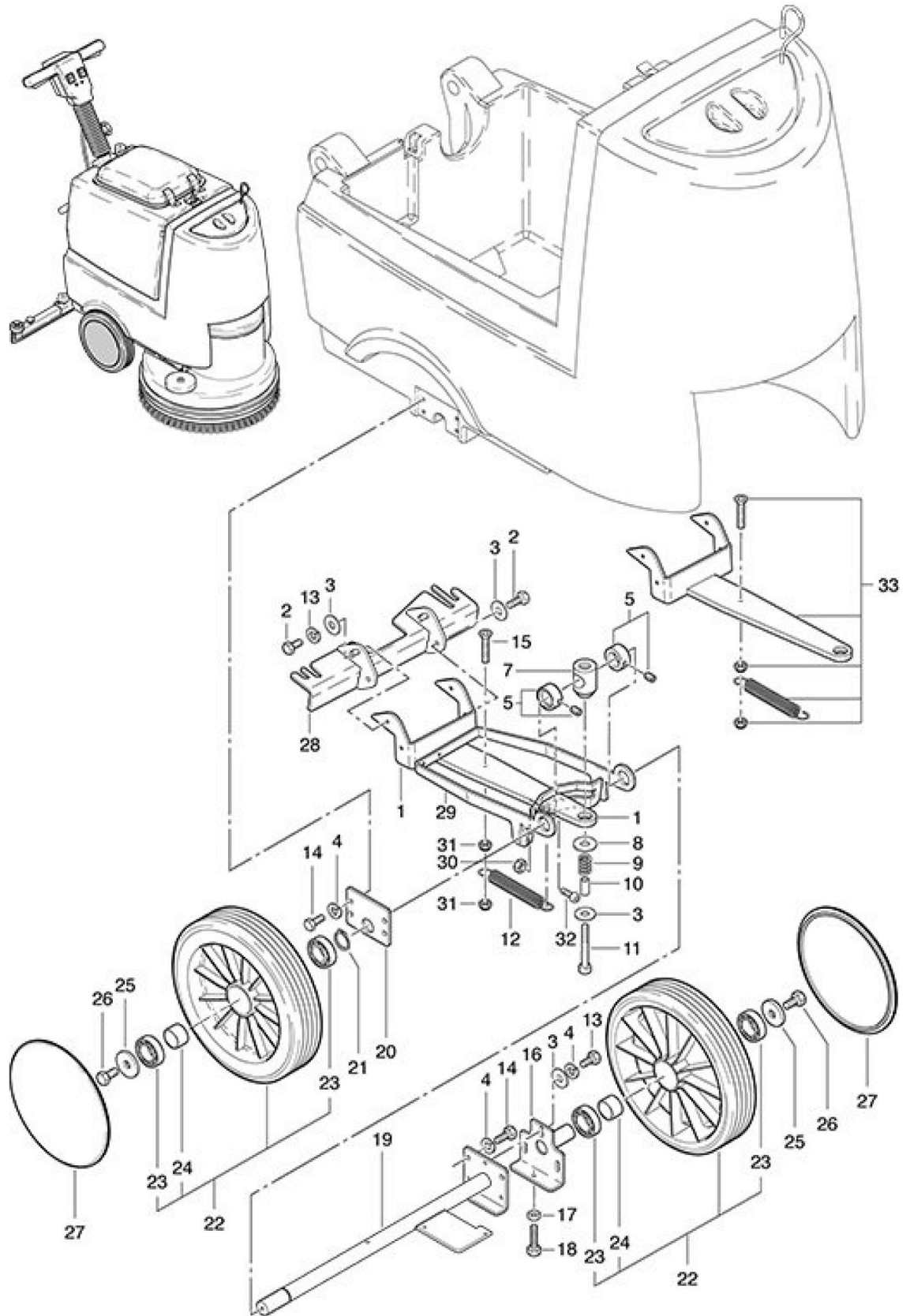


SD-17B 17-Inch Single Brush, Battery Powered Autoscrubber Angled Tube Parts List

Pos.	Description	Reference
01	Lower angled tube	436.253
02	Disk	436.340
03	Cylindrical screw M 10x35	P...487 HA
04	Upper handle tube swivelling	432.410
05	Protection	432.405
06	Star handle Ø 62/M 8	P...253 K
07	Serrated lock washer M 10	P...498 F
08	Up to Masch.No 8812-001 complete order: Pos.1,2,3 and 7	-



SD-17B 17-Inch Single Brush, Battery Powered Autoscrubber Chassis and Wheel Drawing



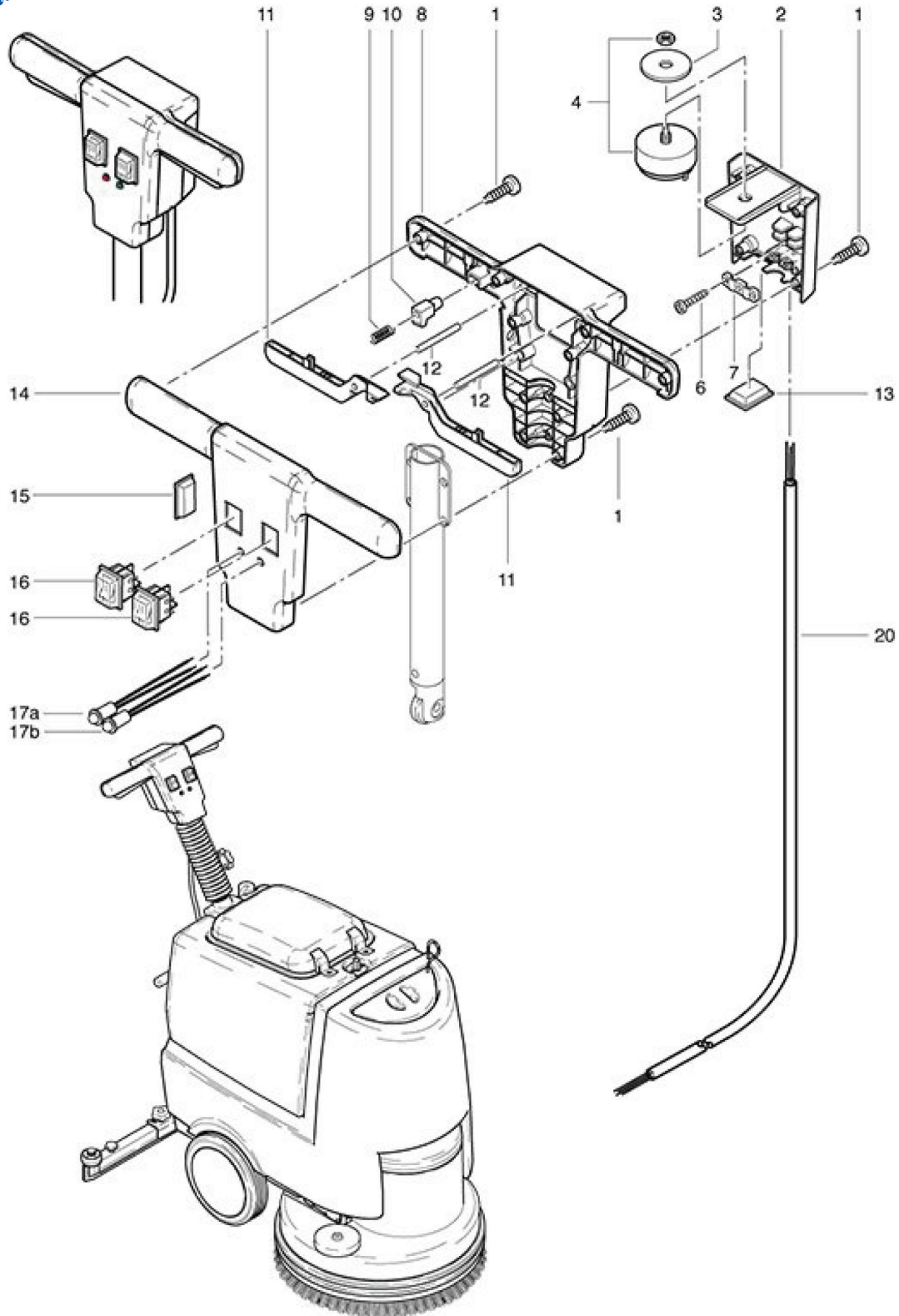


SD-17B 17-Inch Single Brush, Battery Powered Autoscrubber Chassis and Wheel Parts List

Pos.	Description	Reference
01	Lever	432.082
02	Hexagon screw M 6x12	P...470 R
03	Washer M 6	P...496 L
04	Spring washer m 6	P...498 U
05	Tension ring with thred pin Ø 10/20/10	P...335
07	Ball stud	432.063
08	Washer M 10/10.5/30/2.5	P...496 S
09	Compression spring Ø 12.5x22	432.083
10	Distance washer	432.081
11	Cylindrical screw M 6x40	P...486 Y
12	Spring	432.084 A
13	Hexagon screw M 6x10	P...471 Z
14	Hexagon screw M 6x16	P...470 T
15	Countersunk screw M 6x25	P...480 W
16	Clamping plate adjustably	432.061
17	Hexagon nut M 6	P...490 D
18	Hexagon screw M 6x20	P...470 X
19	Axle compl.	501.060
20	Clamping plate	432.062
21	Security ring Ø 20	P...513 EA
22	Wheel complete, including Items 23+24	530.240
23	Ball bearing	P...316 R
24	Distance piece	530.246
25	Washer 6/25x1.8	P...497 Y
26	Hexagon screw M 6x12	P...470 R
27	Wheel cover	530.242
28	Nozzle support angle	432.380
29	Nozzle holder	432.080
30	Hexagon nut M 8	P...490 D
31	Locknut M 6	P...493 K
32	Hexagon screw M 8x16	432.079
33	Lever compl. up to Masch. No. 8820.001	432.075



SD-17B 17-Inch Single Brush, Battery Powered Autoscrubber Handle Drawing

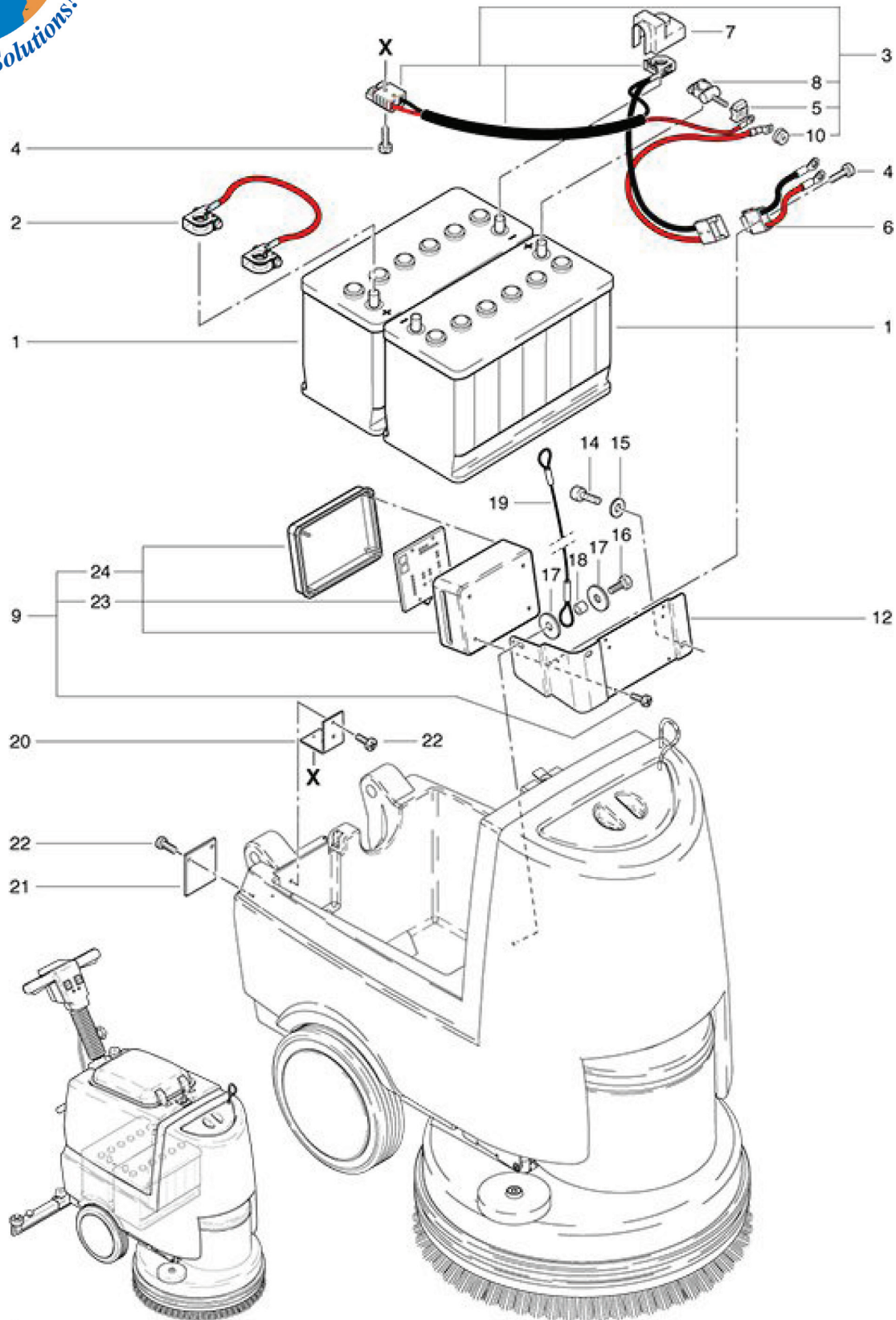




SD-17B 17-Inch Single Brush, Battery Powered Autoscrubber Handle Parts List

Pos.	Description	Reference
01	PT screw KA 50x25	P...515 L
02	Rear handle cover	741.310
03	Washer M 12/13/37/3	P...496
04	Switch (2)	6650454
06	Screw M 5x20	P...515 K
07	Cable clamp	742.321
08	Rear handle housing	436.324
09	Pressure spring	742.209
10	Button	742.208
11	Switch handle	741.204
12	Cylindrical pin Ø 6x50	P...512 M
13	Cover black	741.216
14	Front handle housing	436.310
15	Cover	P...171 O
16	Tumbler switch 24 V	P...241
17a	LED red 2.1 V	P...418 A
17b	LED green 2.1 V	P...418 A
20	Cable tree for pushbar	436.319

SD-17B 17-Inch Single Brush, Battery Powered Autoscrubber Battery Assembly Drawing



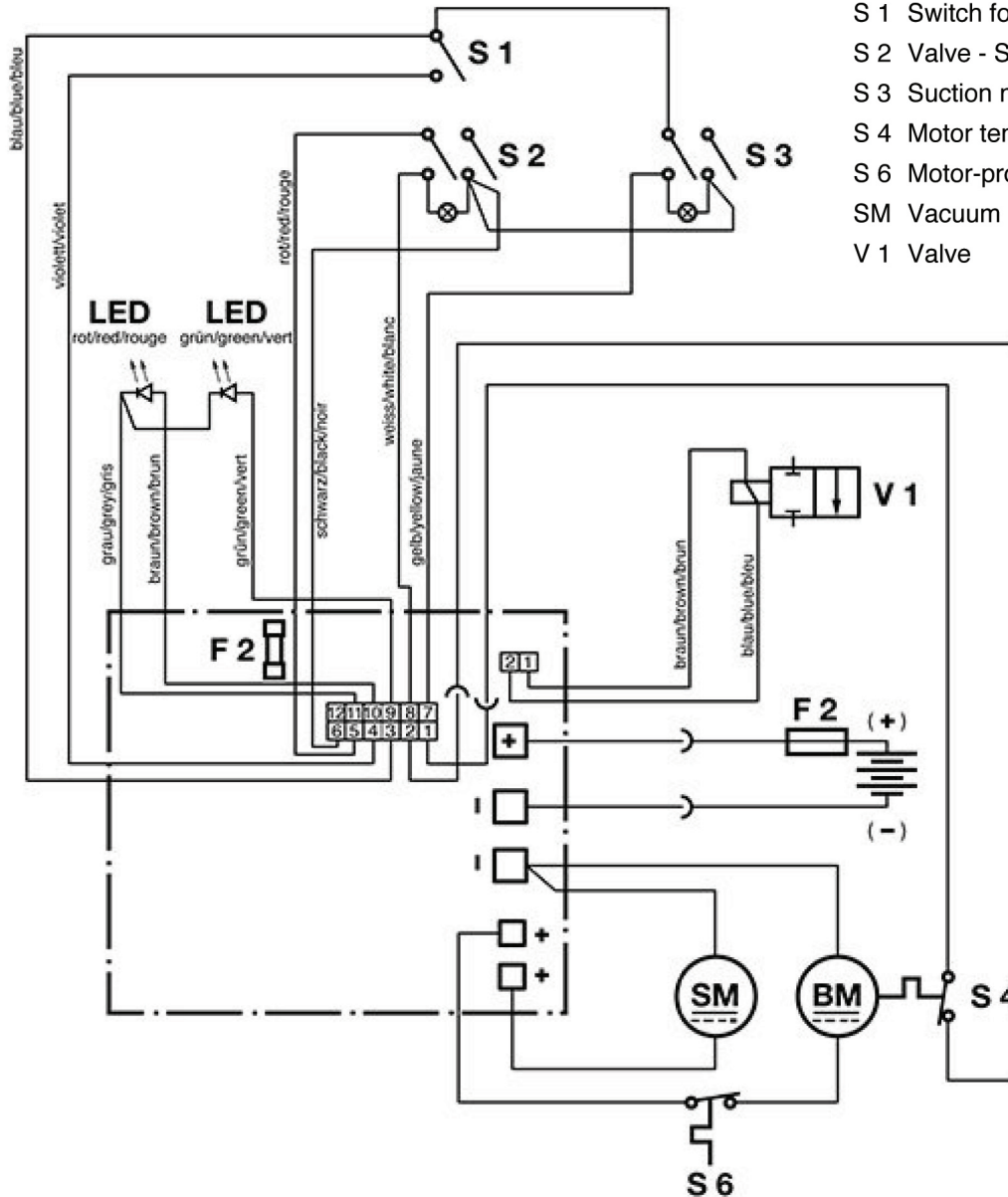


SD-17B 17-Inch Single Brush, Battery Powered Autoscrubber Battery Assembly Parts List

Pos.	Description	Reference
01	Set of Gel batteries 2x12V / 70 Ah (5 hours)	500.091
02	Battery connecting cable	436.995
03	Battery cable tree of complete inclusive pos. 5, 8+10	436.994
04	Pan head screw M 4x20	P...472 F
05	Fuse CF8, 75 A	560.710
06	Load plug wiring harness	436.713
07	Pole cover	P...357 D
08	Battery clamp 1-polig	P...357 E
09	Control box compl. inclusive pos. 23+24	436.770 A
10	Isolating nut/mother for CF8	710.353
12	Carrier control box	436.773
14	Cylindrical screw M 6x20	P...486 P
15	Washer M 6	P...496 L
16	Hexagon screw M 6x16	P...470 T
17	Washer M 6	P...497 Y
18	Distance washer	742.129
19	Polyester-hurry	436.447
20	Support angle	436.109
21	Plug cover	560.622
22	Filister-head screw M 5x10	P...481 Z
23	Print control	436.776
24	El. box Cleanfix	436.774

SD-17B 17-Inch Single Brush, Battery Powered Autoscrubber Wiring Diagram

Pos.	Description	Reference
BM	Brush motor	436.121
F 1	Fuse 3.15 A	
F 2	Fuse 75 A	
S 1	Switch for brush motor	6650454
S 2	Valve - Switch	P...240
S 3	Suction motor switch	P...240
S 4	Motor temperature switch	
S 6	Motor-protection switch 25 A	
SM	Vacuum motor	440.206
V 1	Valve	P...258



- S 1 = Schalter Bürstmotor / Switch for brush motor / Interrupteur pour moteur
 S 2 = Schalter Ventil / Valve - Switch / Interrupteur pour valve
 S 3 = Schalter Saugmotor / Suction motor switch / Interrupteur pour moteur
 S 4 = Motor Temperaturwächter / Motor Temperature switch
 S 6 = Motorschutzschalter 25 A / Motor-protection switch 25 A
 BM = Bürstmotor / Motor / Brush moteur
 SM = Saugmotor / Moteur d'aspiration / Vacuum motor
 V 1 = Ventil / Valve
 F 1 = Sicherung 3.15 A / Fuse 3.15 A / Fusible 3.15 A
 F 2 = Sicherung 75 A / Fuse 75 A / Fusible 75 A