



CIMEX-USA

1-866-284-3255

281 Southwest Ave Tallmadge, Ohio 44278

sales@cimex-usa.com www.cimex-usa.com

Parts & Service - Fax# 330-630-4030



Model X-46

Escalator and Travelator Cleaner

User Instructions / Parts Manual

X-46 manual 03-8013-0000 Issue 1 May 05 USA

CAUTION - READ THESE INSTRUCTIONS BEFORE USING THE MACHINE

User Instructions

1 Product information	3
2 Preparing for use	3
3 Controls	3 & 4
4 Operation	4
5 Storage	4
6 Maintenance	4
7 After sales service	4
8 Technical specification	5
9 Accessories	5
10 Fault diagnosis	6
11 Guarantee	6

Parts Manual

A1-X46 Escalator Cleaner Parts Breakdown.....	8
A1-X46 Escalator Cleaner Drawing.....	9
A2-Vacuum Cover Kit Parts Breakdown & Drawing.....	10
A3-X46 Brush Cowl Kit Parts Breakdown & Drawing	11
A4-Switch Cover Kit Parts Breakdown & Drawing	12
A5-X46 Brush Motor Retro-Fit Parts Breakdown & Drawing	13
A6-Brush Motor Kit Parts Breakdown & Drawing.....	14
A7-Rear Plate Assembly Parts Breakdown & Drawing.....	15
A8-Baffle Plate Kit Parts Breakdown & Drawing`	16
A9-Rest Bar Kit Parts Breakdown & Drawing	17
A10-Handle Pivot Assembly Parts Breakdown & Drawing	18
A11-Locking Bolt Kit Parts Breakdown & Drawing	19
A12-X46 Handle Kit Parts Breakdown & Drawing	20
A13-X46 Vacuum Seal Kit Parts Breakdown & Drawing.....	21
A14-Hose Assembly-Parts Breakdown & Drawing	22
A15-X46 Wheel Assembly Parts Breakdown & Drawing	23
A16-X46 Brush Kit (Tynex) Parts Breakdown & Drawing	24
A17-X46 Brush Kit (Nylon) Parts Breakdown & Drawing.....	25

10 Fault diagnosis

The following simple checks may be performed by the operator.

Fault	Reason	Remedy
Motors not working.	Lack of voltage/electrical supply. Current overload cut-out operated in switch.	Check fuse *, supply cord, plug, outlet and circuit breaker. Cut-out will reset automatically after a few minutes. If cut-out operates repeatedly check points below.
Machine stalls during operation.	Damaged brushes. Loose plug connection.	Replace brushes. Check plug is fully inserted into socket.
Machine vibrates.	Worn brushes. Brushes incorrectly fitted. Brush cowl glide bars incorrectly set.	Replace brushes. Refer to fitting instructions. Check height adjustment.
Vacuum motor labouring.	Dust bag full. Filter restricted.	Replace bag. Remove and clean.

* If the fuse blows several times, the machine should be checked by an authorised Service Agent.

11 Guarantee

Your product is guaranteed for one year from the date of original purchase, or hire purchase, against defects in materials or workmanship during manufacture.

Within the guarantee period we undertake at our discretion, to repair or replace free of charge to the purchaser, any part found to be defective, subject to the following conditions.

CONDITIONS

1. Claims made under the terms of the guarantee must be supported by the original invoice/bill of sale issued at the time of sale, or the machine Serial No.
2. For claims under this guarantee contact the supplier from whom you purchased the product who will arrange the appropriate action. Do not initially return the product as this could result in transit damage.
3. Neither Cimex-USA nor its distributor shall be liable for any incidental or consequential loss.

4. This guarantee is governed by the laws of Ohio.
5. This guarantee does not cover any of the following:
 - Periodic maintenance, and repair or replacement of parts due to normal wear and tear.
 - Damage caused by accident, misuse or neglect, or the fitting of other than genuine Cimex-USA parts.
 - Defects in other than genuine Cimex-USA parts, or repairs, modifications or adjustments performed by other than a Cimex-USA service engineer or authorised service agent.
 - Costs and risks of transport relating directly or indirectly to the guarantee of this product.
 - Consumable items such as, brushes, dust bags and filters.

This guarantee does not affect your statutory rights, nor your rights against the supplier arising from their sales or purchase contract.

Cimex-USA has a policy of continual product development and we reserve the right to alter specifications without prior notice.

8 Technical specification

Machine is of Class I construction. Enclosure to IP30.

Model - 230 V ~ 50 Hz., fitted with supply cord type H05VV-F, 3 x 1.0mm² (10A), and plug.

Model - 110 V ~ 50 Hz., fitted with supply cord type H05VV-F, 3 x 2.5mm² (25A), and plug.

Model		X46
Brush motor	W	190
Vacuum motor (twin)	W	2 x 750
Brush speed	rpm	290
Brush diameter	In	6
Working width	In	18
Length	In	35
Height	In	9
Weight	Lbs	97
Sound pressure level (see note 1)	dB(A)	79
Handle vibration (see note 2)	m/s ²	< 2.5
Supply cord length	ft	50

- 1 - Sound pressure level measured at a distance of 1 metre from machine and 1,6 metres above floor. Measurements recorded using a hand held meter. For prolonged operation the wearing of ear defenders is recommended.
- 2 - Handle vibration does not exceed 2,5 m/s², when operating on any surface. Measurements recorded by an independent test laboratory.

9 Accessories

Item	Qty	Part No.	Application
Nylon brush set #4615	2	05-4096-0000	Regular daily maintenance
Tynex brush set #4616	2	05-4097-0000	Periodic deep cleaning (see note 1)
Disposable paper bags (10 pack)	1	02-4372-0000	Regular dust collection
'Escaclean' degreasant (1 gal.)	1	02-4404-0000	Degreasing and stain removal

- 1 - **CAUTION** - Tynex brushes are very aggressive, and only suitable for occasional use on aluminium escalators only. Do not use on escalators with a coated surface as damage may result.

IMPORTANT : Genuine accessories are only available from authorised Service Agents or Cimex-USA Customer Service Dept.

The operating switches are located on the top of the machine.

1 - Switch, vacuum motor

Used to switch vacuum motor ON and OFF.

2 - Switch, brush motor

Used to switch brush motor ON and OFF.

NOTE - Both switches contain current overload cut-outs. If tripped they will reset automatically after a few moments. If tripping repeatedly, refer to **Fault diagnosis** section.

4 Operation

The X46 machine is designed to clean varying widths of escalator and will therefore only clean part of the width at a time. After each complete pass, move the machine across the escalator to overlap previously cleaned area until the full width has been cleaned.

4.1 Cleaning the escalator

- Wheel the machine to the bottom of the escalator.
WARNING - Never attempt to use the machine at the top of an escalator.
- Fully unwind the supply cord and plug in to a convenient outlet.
- Ensure that the escalator is moving away from the machine, reverse the direction of the escalator if necessary.
- Position the machine on the escalator such that the rest bar situated just in front of the wheels sits on the non-moving comb of the escalator.
- Switch on the vacuum motor, followed by the brush motor.
- **WARNING** - Never start the machine without the brushes fitted.

4.2 Stain and spot removal

For degreasing and stain removal the escalator may be lightly hand sprayed with 'Escaclean' chemical.

IMPORTANT - DO NOT SOAK THE ESCALATOR

4.3 Dust bag replacement

- Release the two locking pins and raise the top cover.
- Push the top edge of the cardboard collar of the bag towards the rear of the machine until the bag is released from the vacuum tubes, and carefully remove the bag for disposal.
- Insert new bag pushing the rubber seals firmly over the tube ends until the cardboard collar is flat against the machine wall.
- Close the top cover and locking pins.

The dust bag should be regularly replaced, and the hoses checked for blockages. If a bag bursts ensure that the filter is removed and cleaned before fitting a new bag. **IMPORTANT** - The filter must be dry before refitting.

5 Storage

After use always wipe down and dry the machine. Remove the brushes and clean them under running water and allow to dry. **IMPORTANT** - Never store the machine with the brushes fitted as this will damage the brushes. Check dust bag condition and clean filter as required.

Wrap supply cord around the handle ensuring that the plug is not trailing on the floor. Store the machine in a dry indoor area only.

6 Maintenance

WARNING - Before undertaking maintenance operations or adjustments switch off machine and unplug from the electricity supply.

The machine requires minimum maintenance apart from the following checks by a trained operator.

- **Supply cord** - Regularly inspect sheath, plug and cord anchorage for damage or loose connection. Only replace the supply cord with the type specified in these instructions.
- **Dust filter** - Check filter condition when changing a bag and clean or replace as necessary.

7 After sales service

Should you require after sales service please contact the supplier from whom you purchased the machine, who will arrange service. Repairs and servicing of Cimex-USA products should only be performed by trained tech.

IMPORTANT

READ THESE INSTRUCTIONS CAREFULLY

1 Product information

This commercial escalator cleaning machine is designed to clean all types of escalator and travelator treads, and is ideally suited for use in airports, shopping centers, retail stores, hotels and Underground railway stations.

The machine is intended for indoor use only in dry conditions.

The following instructions contain important information about the machine and safety to the operator.

Equipment must be operated, serviced and maintained in accordance with the manufacturer's instructions.

If in doubt contact the supplier of your machine.

1.1 Important Safety Instructions

When using electrical equipment basic safety precautions should be followed including the following.

- Read all instructions carefully before use.
- Keep children and unauthorized persons away from the machine when in use.
- **Do not** leave the machine connected to the electrical supply when not in use, always remove the plug from the outlet.
- Turn off the machine before removing the plug.
- When unplugging pull the plug, not the supply cord.
- Keep the power supply cord clear of moving parts. During operation hazard may occur when running the machine over the power supply cord.
- **Do not** operate the machine with a damaged supply cord or plug, or after the machine malfunctions or is damaged in any way. Contact an authorized Service Agent for repair or adjustment.
- The plug of the power supply cord must be removed from the outlet before cleaning, repairing, and the user maintenance of the machine.
- The power supply cord is to be regularly inspected for signs of damage. If the power supply cord is damaged, it has to be replaced.
- **Do not** use where hazardous dust is present.
- **Do not** use in an explosive atmosphere.

1.2 Guidelines for the operator

- Operators must be fully trained in the use of the machine in accordance with these instructions, able to perform user maintenance and the correct selection of brushes.
- Operators should be physically capable to manoeuvre, transport and operate the machine.
- Operators should be able to recognize unusual operation of the machine and report any problems.
- Keep hands and feet well clear of rotating brushes.
- Wear suitable footwear to avoid slipping.
- **Do not** smoke when using the machine.

- **CAUTION** - This machine is for dry use only and should not be used or stored outdoors in wet conditions.

1.3 Transporting the machine

CAUTION - THIS MACHINE IS HEAVY

Do not attempt to lift the machine without assistance. Incorrect lifting techniques may result in personal injury.

To move the machine around, pull the handle backwards to bring the wheels into contact with the floor enabling the machine to be moved easily.

2 Preparing for use

1. Carefully remove the machine and brushes from their respective packaging.
2. Check machine for transit damage. Do not use machine if damaged.
3. Raise handle to working position.

2.1 Fitting the brushes

WARNING - This appliance has been designed for use with the brushes specified by the manufacturer. The use of other brushes may impair safety or cause damage.

Always ensure machine is unplugged before fitting or removing parts.

- Release the two locking pins securing the top cover and raise the cover to rest against the handle.
- Disconnect the two hoses from the brush cowl.
- Tip the cowl forward to reveal the brush spindles.
- Remove the brush retaining clips from the spindle ends, and slide the brush on to the spindle engaging the narrow slot with the drive nib and refit the retaining clips.
- **NOTE: Each brush is marked with (L)eft & (R)ight to indicate correct placement from operators position. If brushes are installed incorrectly, the debris will be pushed to outside of the machine.**
- Close the brush cowl and reconnect the two hoses.
- Close the top cover and re-engage the locking pins.

2.2 Electrical connection

Before connecting the machine to the power supply, check that your supply voltage corresponds with that marked on the rating label on the machine.

IMPORTANT - If the supply cord is damaged, it must only be replaced by a special cord available from the manufacturer or an authorized service agent.

WARNING -THIS APPLIANCE MUST BE GROUNDED

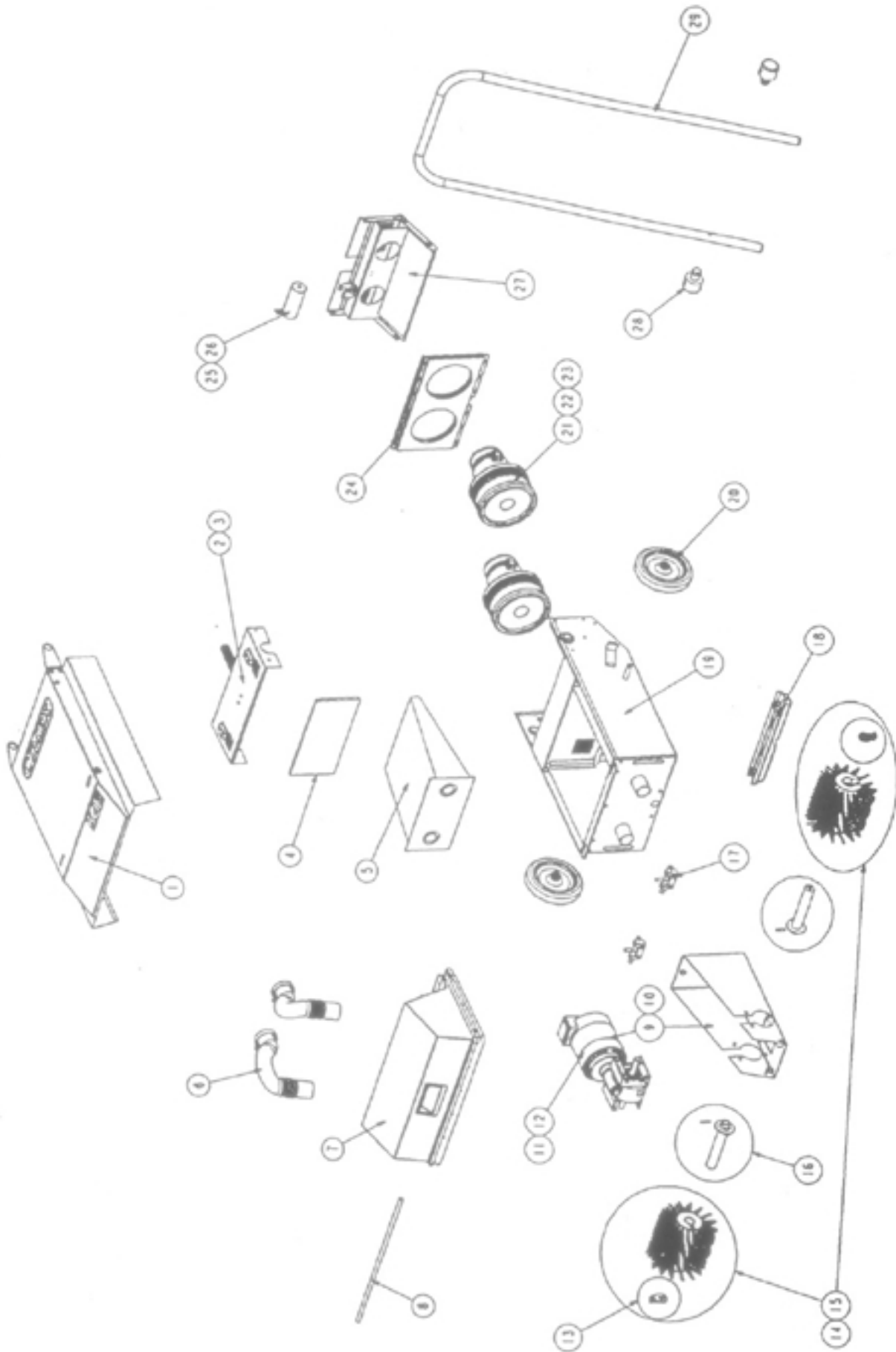
We recommend the use of an RCD (Residual Current Device) or an ELCB (Earth Leakage Circuit Breaker) between the mains socket and the supply cord plug to protect against electric shock.

3 Controls

X46 ESCALATOR CLEANER

A1

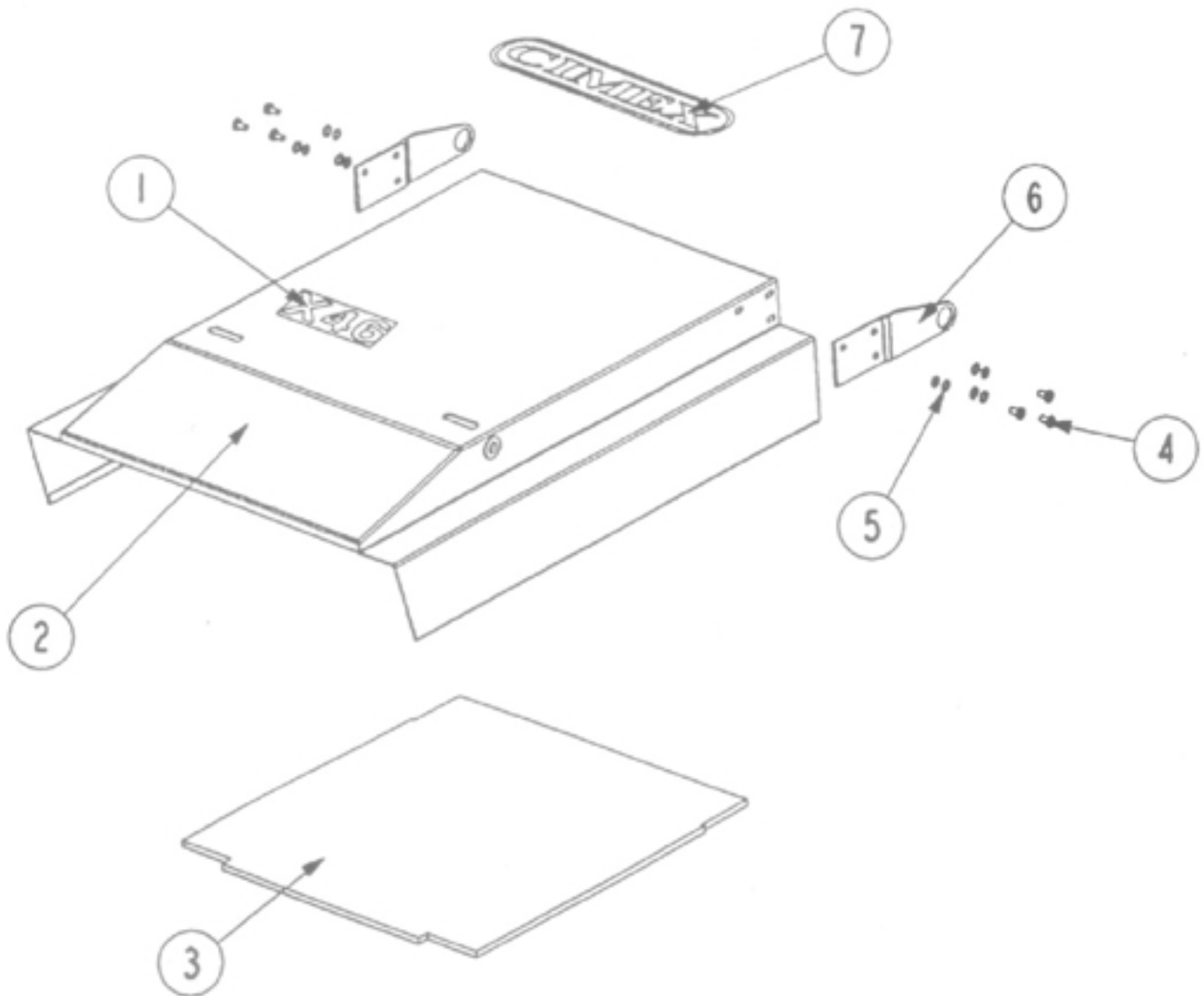
ITEM	DESCRIPTION	CIMEX PART NO.	TRUVOX PART NO.	
1	Vacuum Cover Assembly		10-0026-0000	
2	Switch Cover Kit (230 volt)		10-0028-0000	
3	Switch Cover Kit (110 volt)		10-0043-0000	
4	Vacuum Filter	38178	03-7644-0000	
5	Paper Bag	38177	02-4372-0000	
6	X46 Hose Kit		10-0029-0000	
7	Brush Cowl Assembly		10-0022-0000	
8	Brush Cowl Shaft	38009	03-7235-0000	
9	Retro Fit X46 Motor Assembly (230 volt)		10-0025-0000	
10	Retro Fit X46 Motor Assembly (110 volt)		10-0042-0000	
11	X46 Brush Motor Kit (230 volt)		10-0023-0000	
12	X46 Brush Motor Kit (110 volt)		10-0039-0000	
13	Brush Retaining Latch	661391	05-3913-0000	
14	X46 Brush Kit (nylon)		10-0024-0000	
15	X46 Brush Kit (tynex)		10-0041-0000	
16	Brush Motor Spindle Kit		10-0038-0000	
17	Vacuum Cover Locking Bolt		10-0033-0000	
18	Bumper Bar Kit		10-0034-0000	
19	X46 Chassis	38011	03-7236-0000	
20	Wheel Kit		10-0027-0000	
21	Vacuum Motor Seal Kit		10-0030-0000	
22	Vacuum Motor (240 volt)	21719	04-3567-0000	
23	Vacuum Motor (110 volt)	4-3256	04-3256-0000	
24	Baffle Plate Assembly		10-0032-0000	
25	Capacitor 40 uf 240 volt	38162	04-3609-0000	
26	Capacitor 160 uf 110 volt	38163	04-3610-0000	
27	Rear Plate Assembly		10-0035-0000	
28	Handle Pivot Assembly		10-0037-0000	
29	X46 Handle		10-0036-0000	



VACUUM COVER KIT

A2

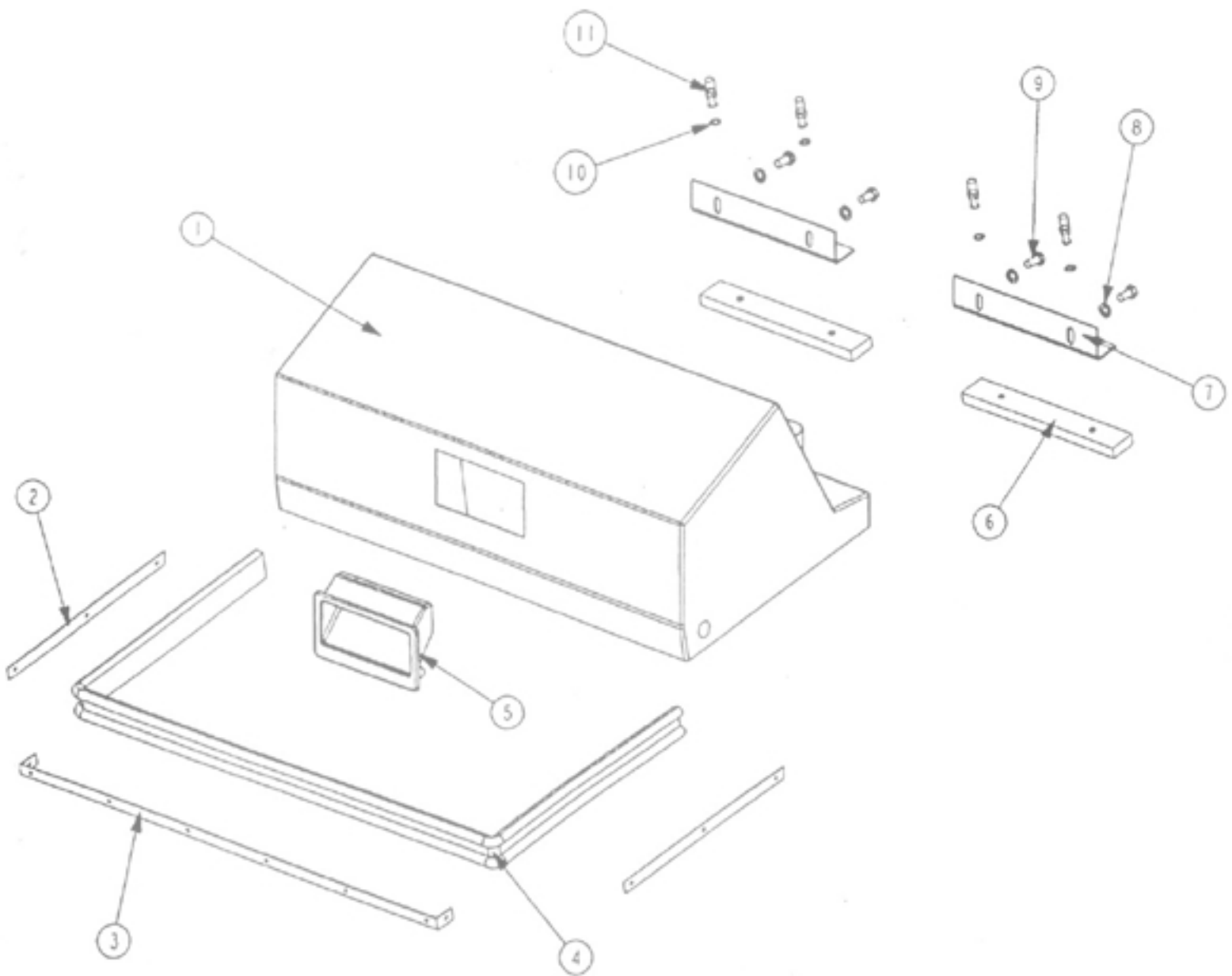
ITEM	DESCRIPTION	CIMEX PART NO.	TRUVOX PART NO.	QTY
1	X46 Decal	3380	03-7593-0000	1
2	Vacuum Cover		03-7647-0000	1
3	Vacuum Cover Seal	38039	03-7643-0000	1
4	M5 x 10 Hex Head Bolt	M5-10-CP-ZN	00-0510-0011	6
5	M5 Plain Washer Form A	M5-OLG-ZN	00-0500-0501	12
6	Lid Hinge Bracket (Left/Right)	38024	03-7645-0000	1
7	Cimex Decal	3664	1	



X46 BRUSH COWL KIT

A3

ITEM	DESCRIPTION	CIMEX PART NO.	TRUVOX PART NO.	QTY
1	Brush Cowl		03-7234-0000	1
2	Side Bumper Rubber Fixing	38070	03-7248-0000	2
3	Front Bumper Rubber Fixing	38069	03-7247-0000	1
4	Bumper Rubber	25110	03-7128-0000	1
5	Brush Cowl Handle	26219	03-7200-0000	1
6	Cowl Glide Bar	38064	03-7246-0000	2
7	Cowl Glide Bracket	38057	03-7245-0000	2
8	M6 Plain Washer		00-0600-0503	4
9	M6 x 12 Hex Head Bolt	M6-12-E-ZN	00-0612-0111	4
10	M5 Internal Shakeproof Washer	M5-R-ZN	00-0500-0521	4
11	M5 x 10 Hex Head Bolt	M5-10-E-ZN	00-0510-0111	4

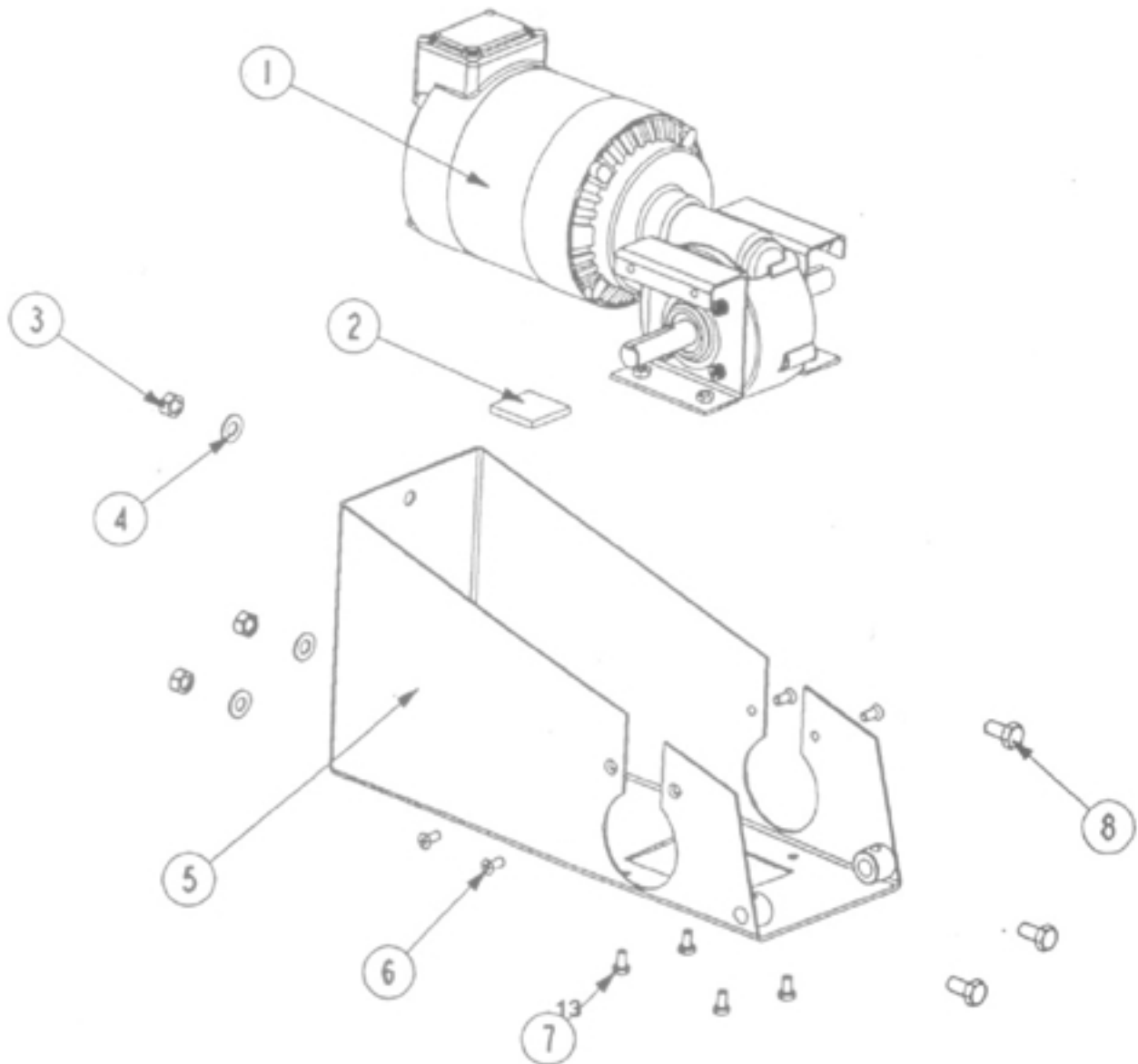


X46 BRUSH MOTOR

A5

RETRO-FIT KIT 110V 50/60HZ

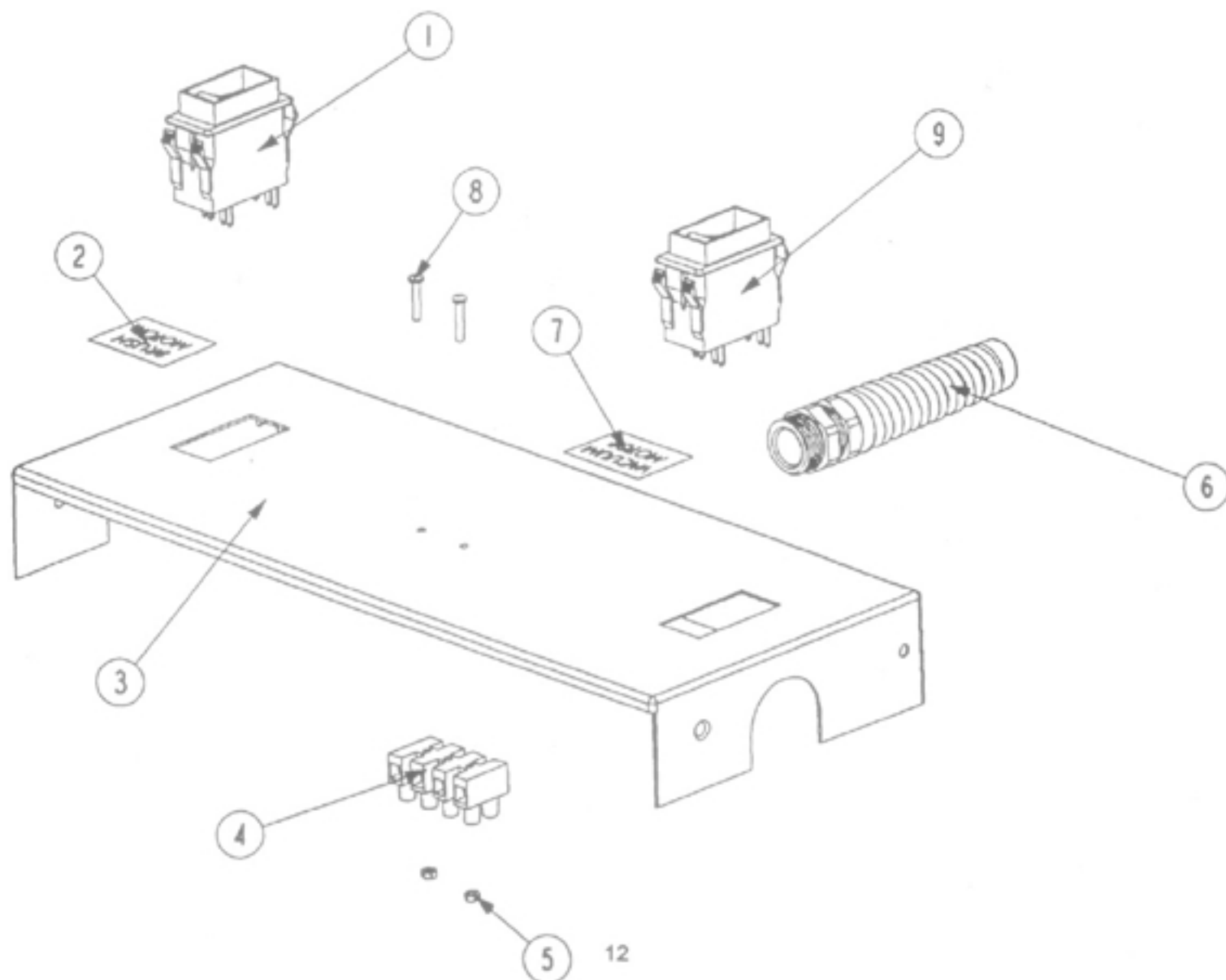
ITEM	DESCRIPTION	CIMEX PART NO.	TRUVOX PART NO.	QTY
1	Brush Motor Kit (110V 50/60 Hz)		10-0039-0000	1
2	Motor Support Pad	38188	03-7267-0000	1
3	M8 Nut	M8-I-ZN	00-0800-0701	3
4	M8 Plain Washer	M8-OLG-ZN	00-0800-0501	3
5	Brush Motor Chassis	38000	03-7231-0000	1
6	M5 x 10 Countersunk Pozi Screw	M5-10-BP-ZN	00-0510-0031	4
7	M5 x 10 Pozi Pan Head Screw	M5-10-CP-ZN	00-0510-0011	4
8	M8 x 16 Hex Head Bolt	M8-16-E-ZN	00-0816-0111	3



SWITCH COVER KIT

A4

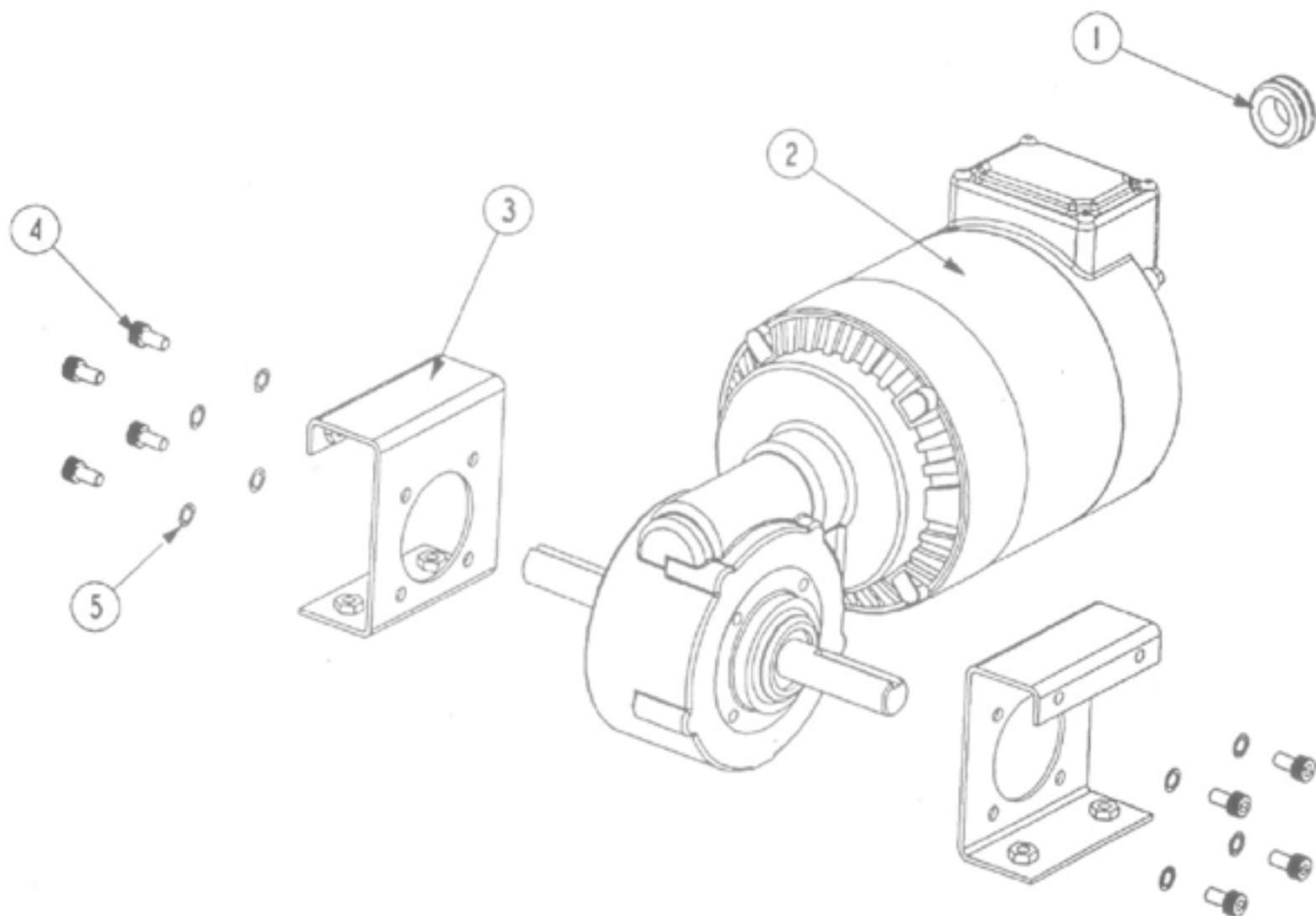
ITEM	DESCRIPTION	CIMEX PART NO.	TRUVOX PART NO.	QTY
1	Brush Switch 4 amp	38156	04-3608-0000	1
2	Label - Brush Motor	3635	03-7640-0000	1
3	Switch Cover	38064	03-7264-0000	1
4	Term. Block 4 Way (use 04-3146-0000)		04-3474-0000	1
5	M3 Nut		00-0300-0701	2
6	Cable Restraint	50405	02-4256-0000	1
7	Label - Vacuum Motor	3636	03-7641-0000	1
8	M3 x 16 Screw Pozi Pan Head	M3-16-CP-ZN	00-0316-0011	2
9	Vacuum Switch 15 amp	38154	04-3606-0000	1



BRUSH MOTOR KIT 110V 50/60 HZ

A6

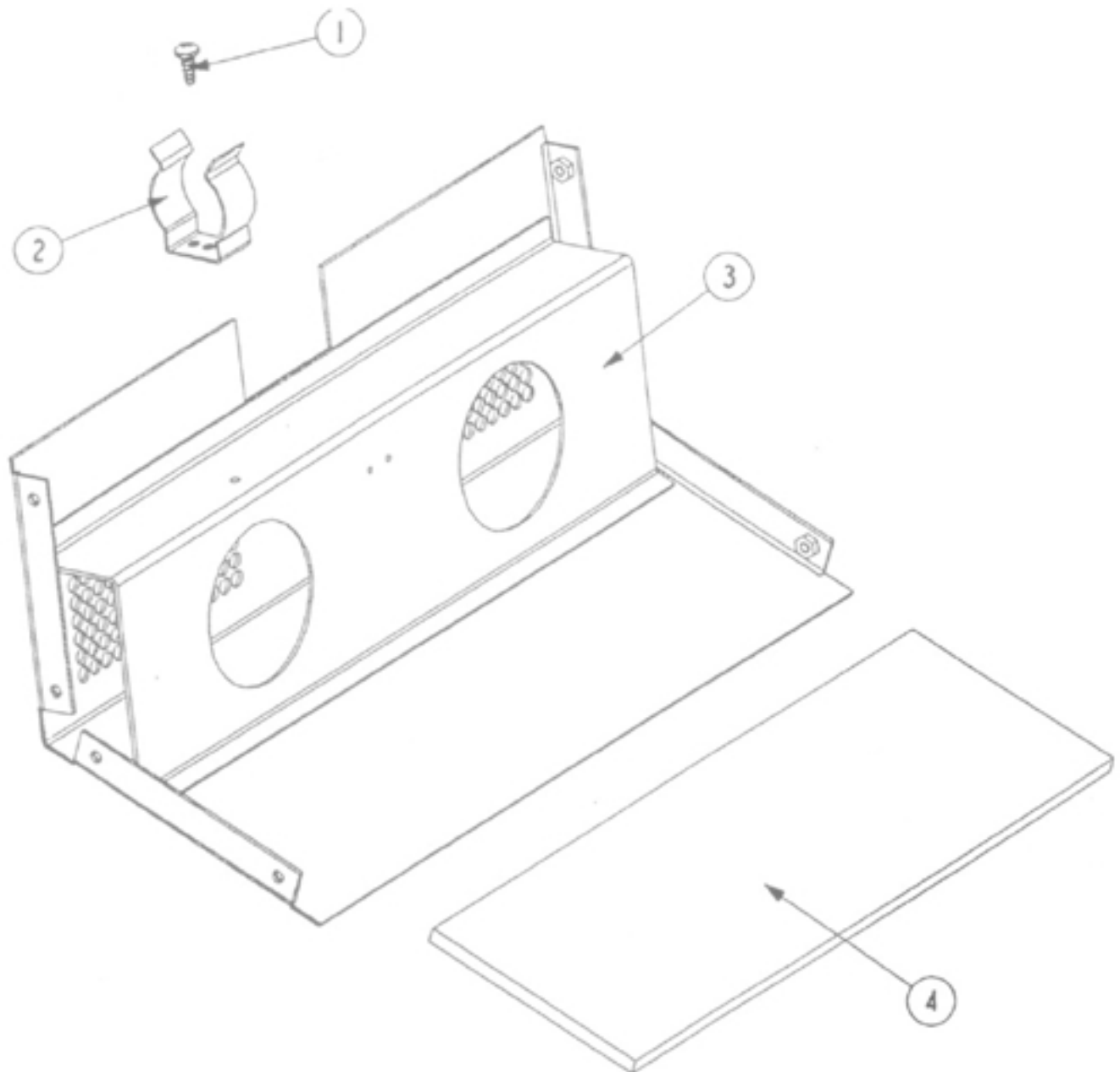
ITEM	DESCRIPTION	CIMEX PART NO.	TRUVOX PART NO.	QTY
1	Motor Grommet	26086	02-4129-0000	1
2	Brush Motor 110V 50/60 Hz	38147	03-7261-0000	1
3	Motor Bracket	38181	03-7265-0000	2
4	M5 x 10 Socket Cap Head Screw	9662	00-0510-0091	8
5	M5 Internal Shakeproof Washer	M5-R-ZN	00-0500-0521	8



REAR PLATE ASSEMBLY

A7

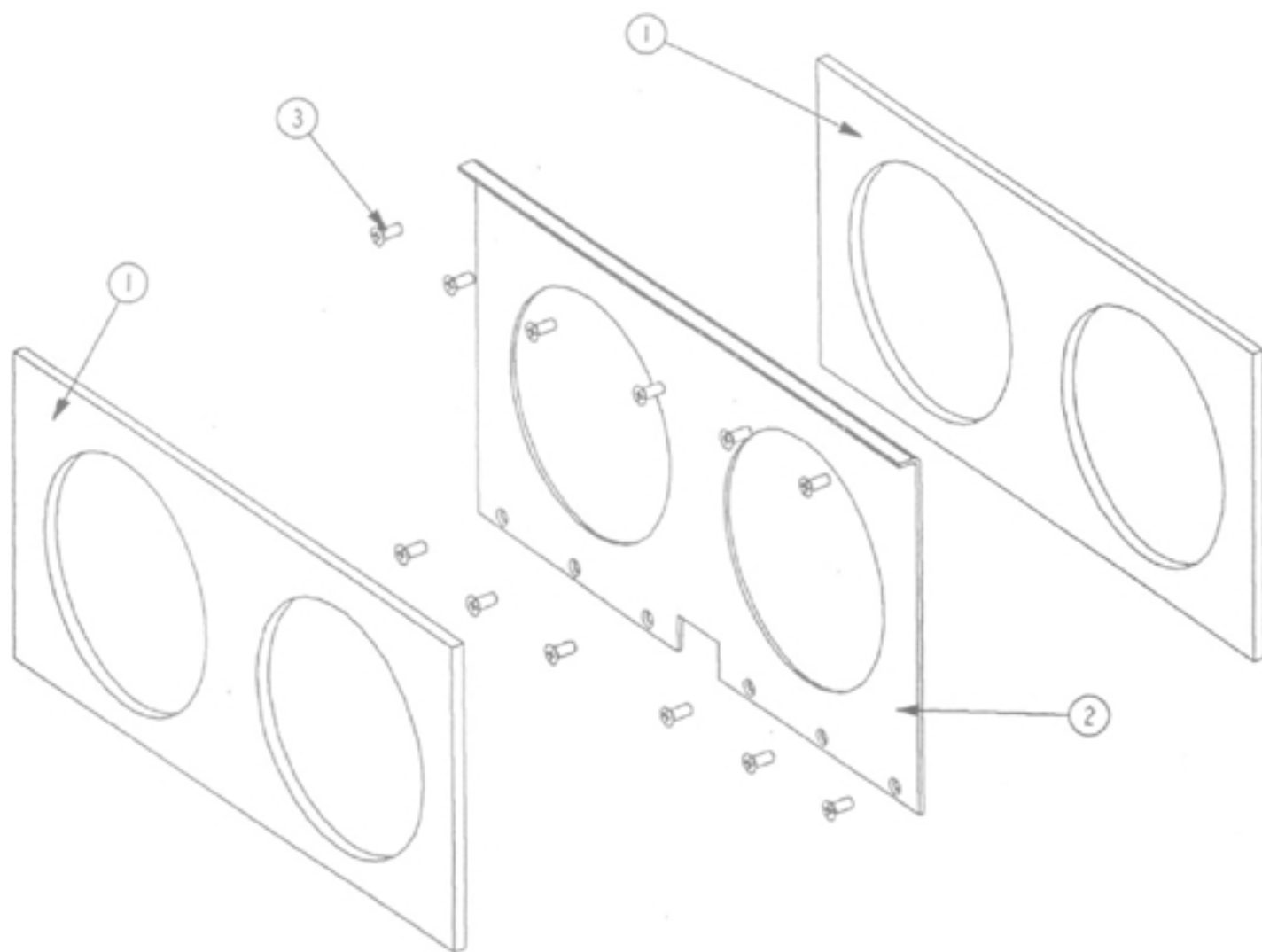
ITEM	DESCRIPTION	CIMEX PART NO.	TRUVOX PART NO.	QTY
1	Self Tapper	9817	02-4323-0000	1
2	Capacitor Bracket	25045	02-4103-0000	1
3	Rear Panel Assembly	38161	03-7263-0000	1
4	Gasket	38084	03-7254-0000	1



BAFFLE PLATE KIT

A8

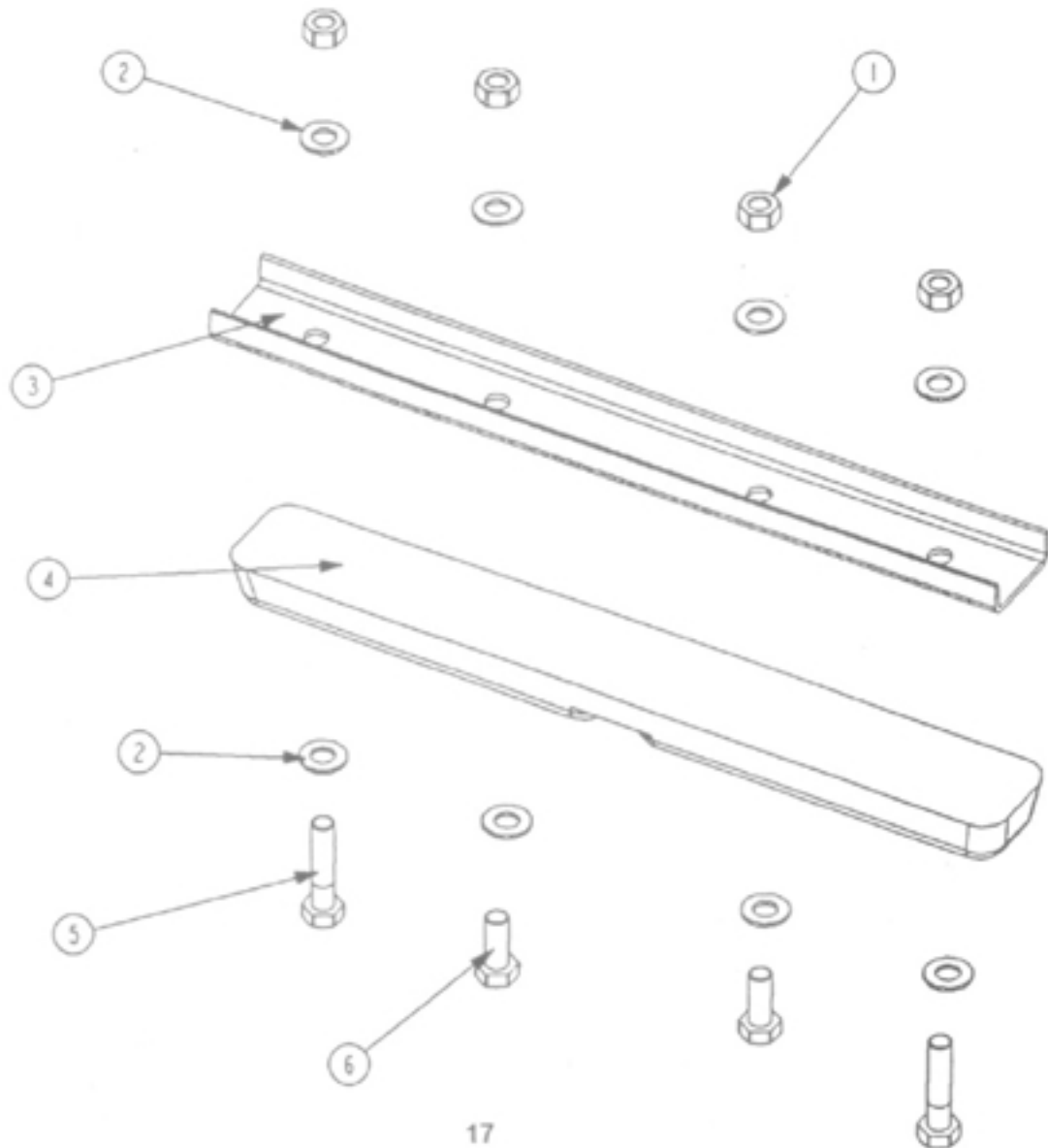
ITEM	DESCRIPTION	CIMEX PART NO.	TRUVOX PART NO.	QTY
1	Foam Gasket	38086	03-7255-0000	2
2	Baffle Plate	38075	03-7249-0000	1
3	M5 x 10 Countersunk Screw	M5-10-BP-ZN	00-0510-0031	12



REST BAR KIT

A9

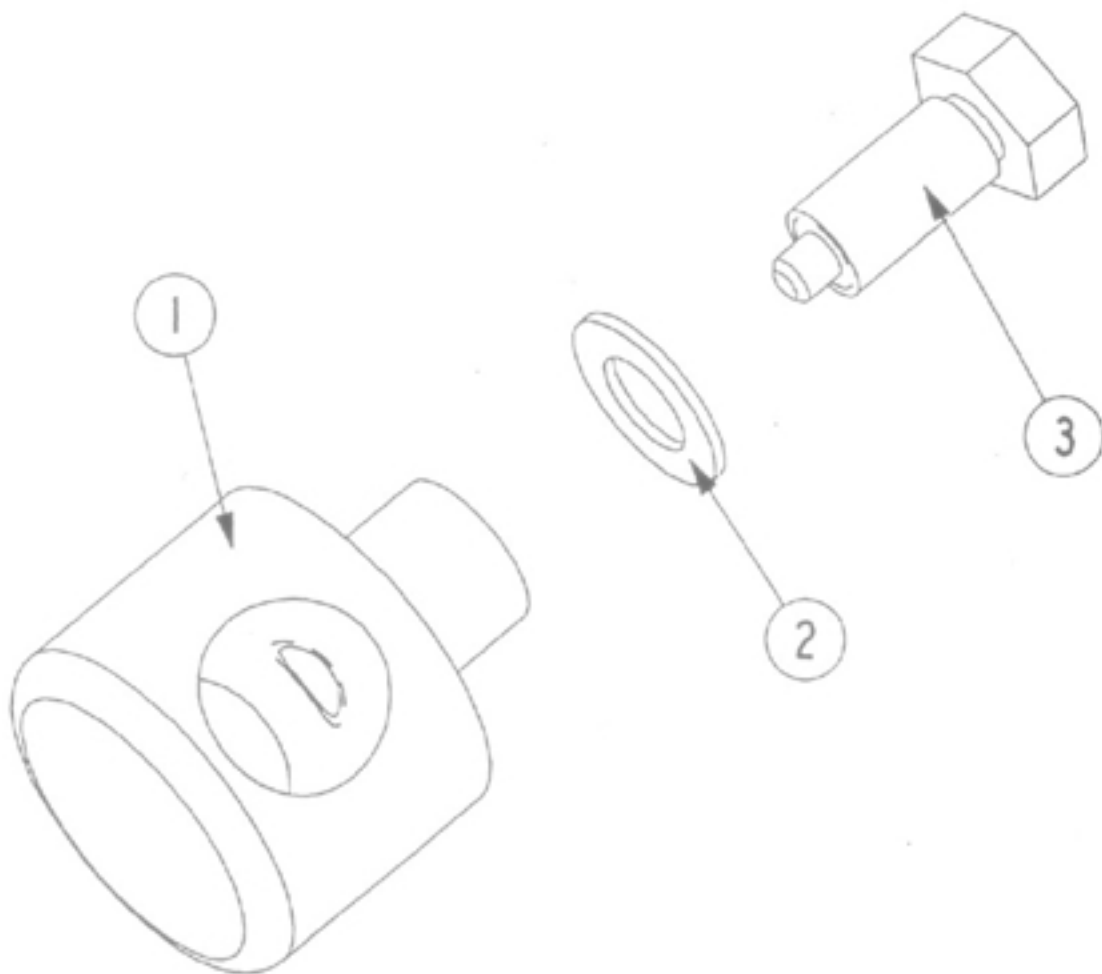
ITEM	DESCRIPTION	CIMEX PART NO.	TRUVOX PART NO.	QTY
1	M8 Full Nut	M8-I-ZN	00-0800-0701	4
2	M8 Washer Form "A"	M8-OLG-ZN	00-0800-0501	8
3	Rest Bar	38121	03-7649-0000	1
4	Rest Bar Rubber	40026	03-7285-0000	1
5	M8 x 35 Hex Head Bolt	M8-35-E-ZN	00-0835-0111	2
6	M8 x 20 Hex Head Bolt	M8-20-E-ZN	00-0820-0111	2



HANDLE PIVOT ASSEMBLY

A10

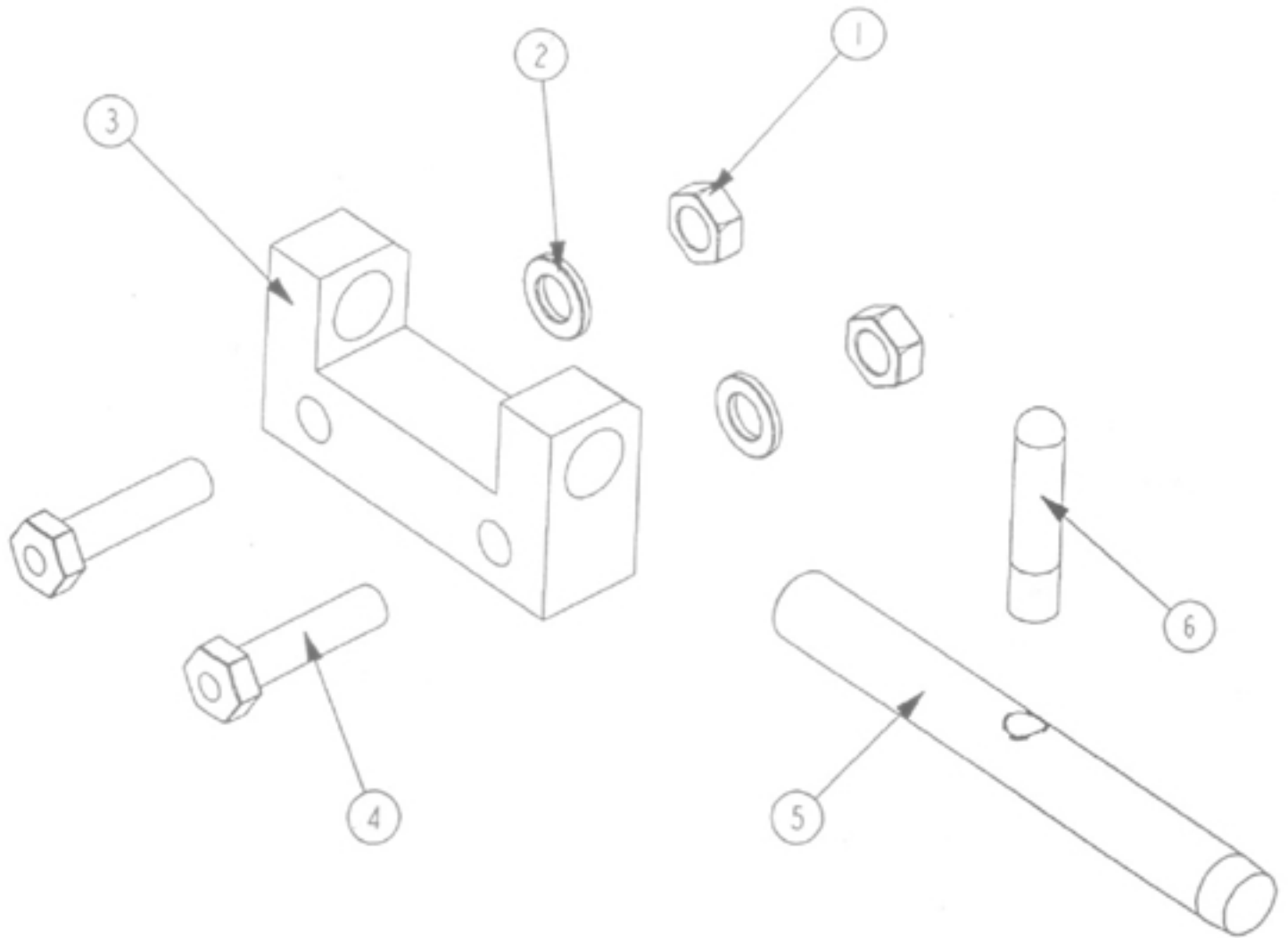
ITEM	DESCRIPTION	CIMEX PART NO.	TRUVOX PART NO.	QTY
1	Pivot Block	38016	03-7239-0000	1
2	M12 Washer	M12-OLG-ZN	00-1200-0000	1
3	Handle Bolt	38017	03-7240-0000	1



LOCKING BOLT KIT

A11

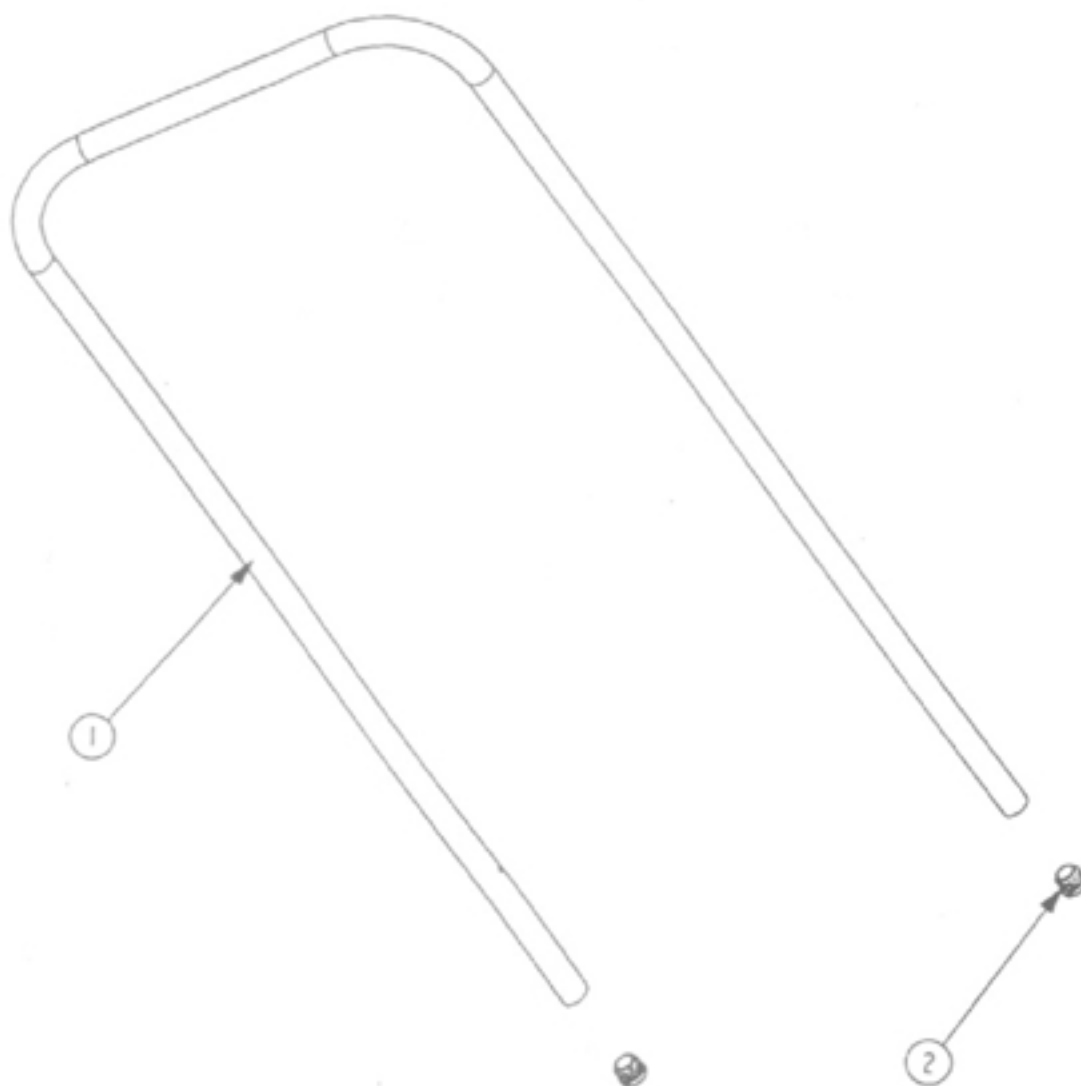
ITEM	DESCRIPTION	CIMEX PART NO.	TRUVOX PART NO.	QTY
1	M6 Nut	M6-1-ZN	00-0600-0701	2
2	M6 Washer Stainless Steel		00-0600-0503	2
3	Bolt Block	38018	03-7241-0000	1
4	M6 x 25 Hex Head Bolt		00-0625-0111	2
5	Bolt Pin	38019	03-7242-0000	1
6	Bolt Handle	38029	03-7642-0000	1



X46 HANDLE KIT

A12

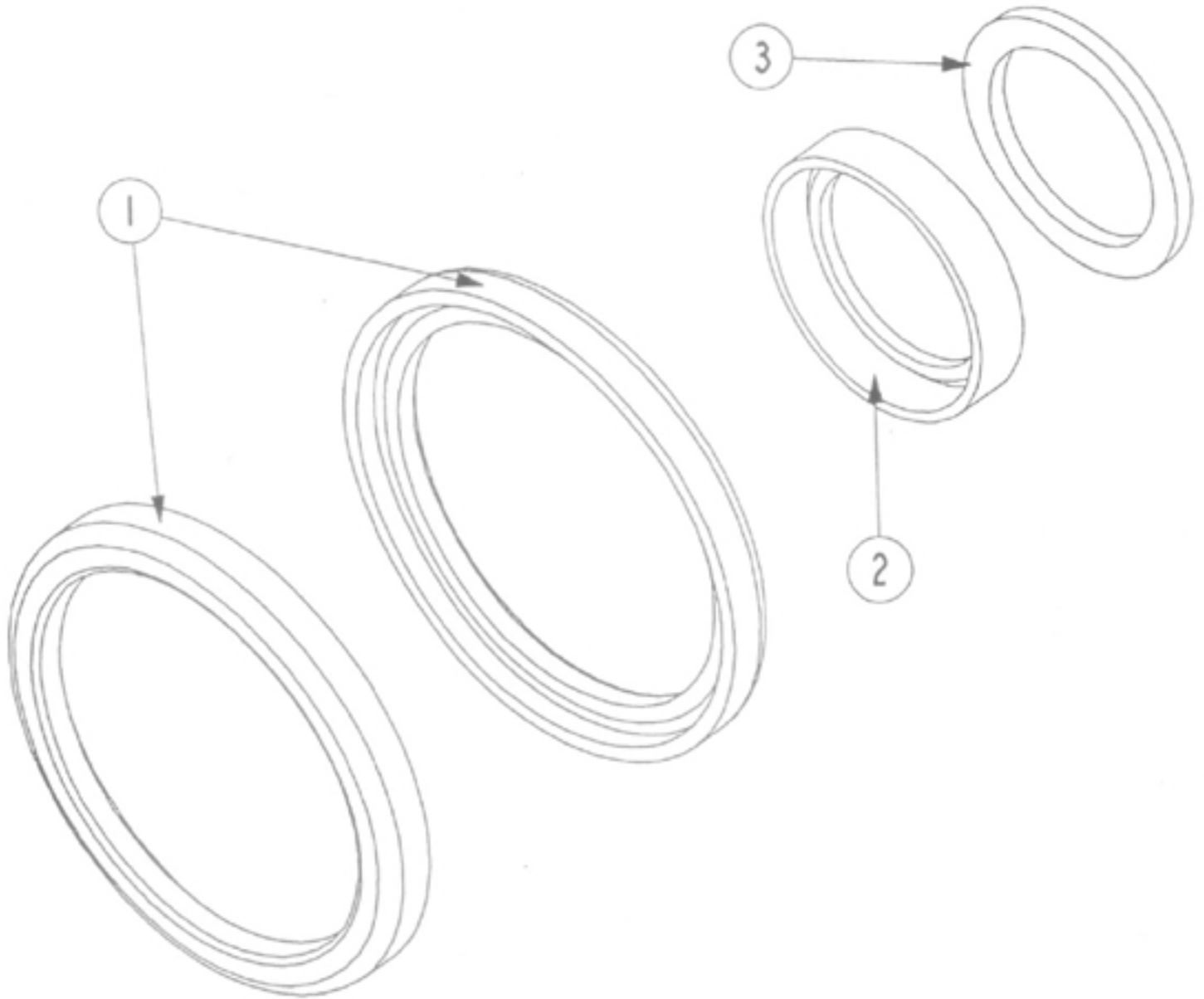
ITEM	DESCRIPTION	CIMEX PART NO.	TRUVOX PART NO.	QTY
1	X46 Handle Tube	38013	03-7238-0000	1
2	Insert	38007	02-4163-0000	2



X46 VACUUM SEAL KIT

A13

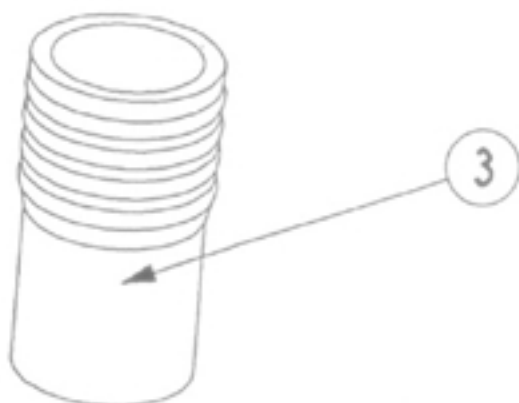
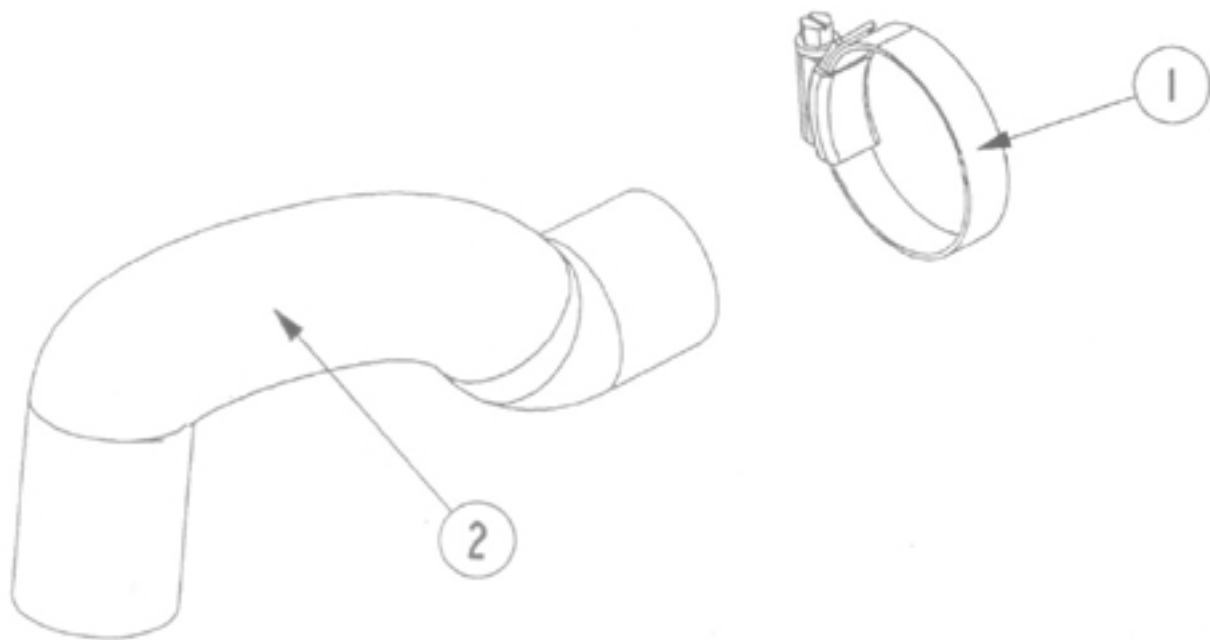
ITEM	DESCRIPTION	CIMEX PART NO.	TRUVOX PART NO.	QTY
1	Mounting Ring	21718	03-7065-0000	2
2	Motor Gasket	21724	03-7066-0000	1
3	Sealing Ring	28285	03-7205-0000	1



HOSE ASSEMBLY

A14

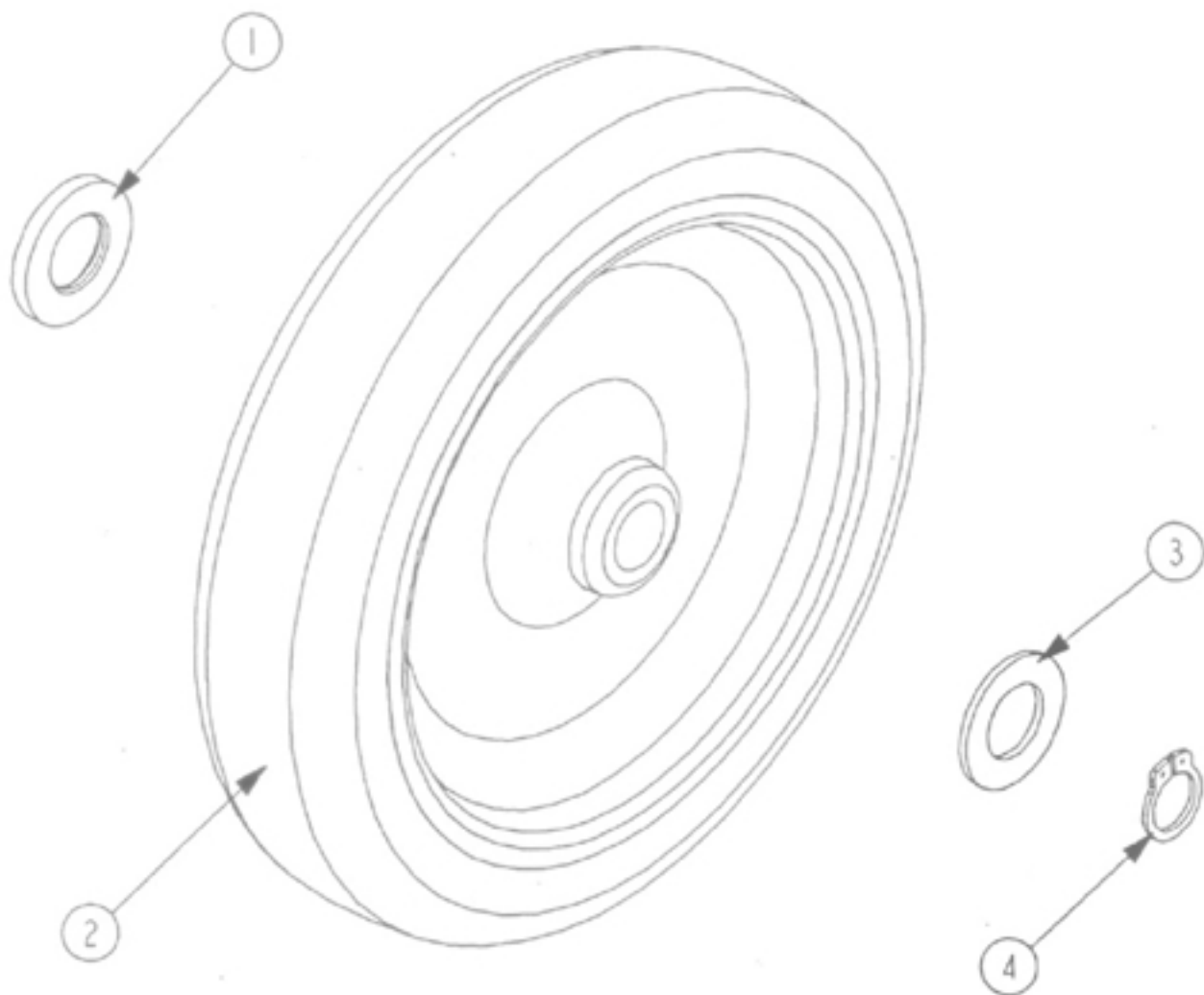
ITEM	DESCRIPTION	CIMEX PART NO.	TRUVOX PART NO.	QTY
1	Jubilee Clip 2A Size	25005	02-4369-0000	1
2	Hose 1 1/2" Superflex	18673	02-4079-0000	1
3	Hose Cuff	38127	02-4370-0000	1



X46 WHEEL ASSEMBLY

A15

ITEM	DESCRIPTION	CIMEX PART NO.	TRUVOX PART NO.	QTY
1	Wheel Spacer	38012	03-7237-0000	1
2	Wheel	38053	02-4164-0000	1
3	Wheel Washer	40280	00-1200-0503	1
4	External Circlip	38055	02-4165-0000	1

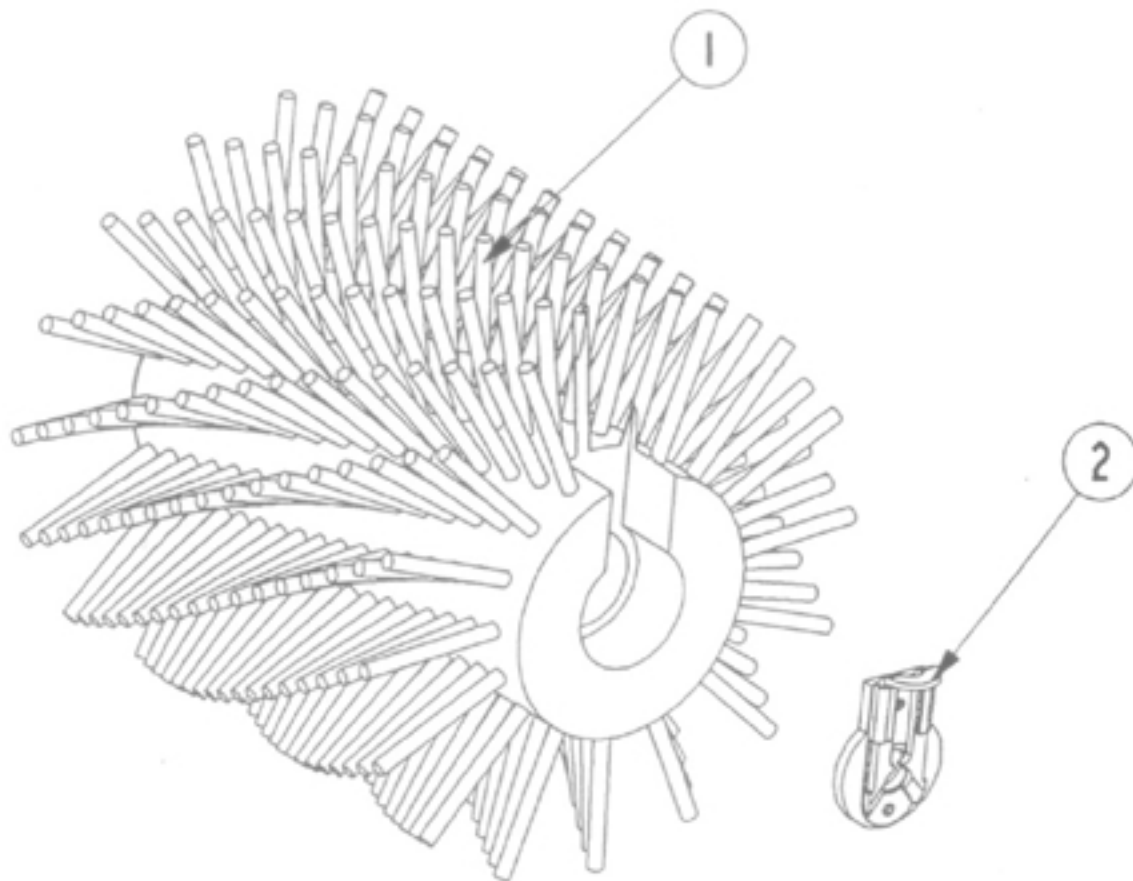


X46 BRUSH KIT (TYNEX)

A16

ITEM	DESCRIPTION	CIMEX PART NO.	TRUVOX PART NO.	QTY
1	X46 Brush Spirol 0.6 (Tynex)	4616	05-4097-0000	2
2	Brush Retaining Latch	661391	05-3913-0000	2

NOTE: Each brush is marked with (L)eft & (R)ight to indicate correct placement from operators position. If brushes are installed incorrectly, the debris will be pushed to outside of the machine.



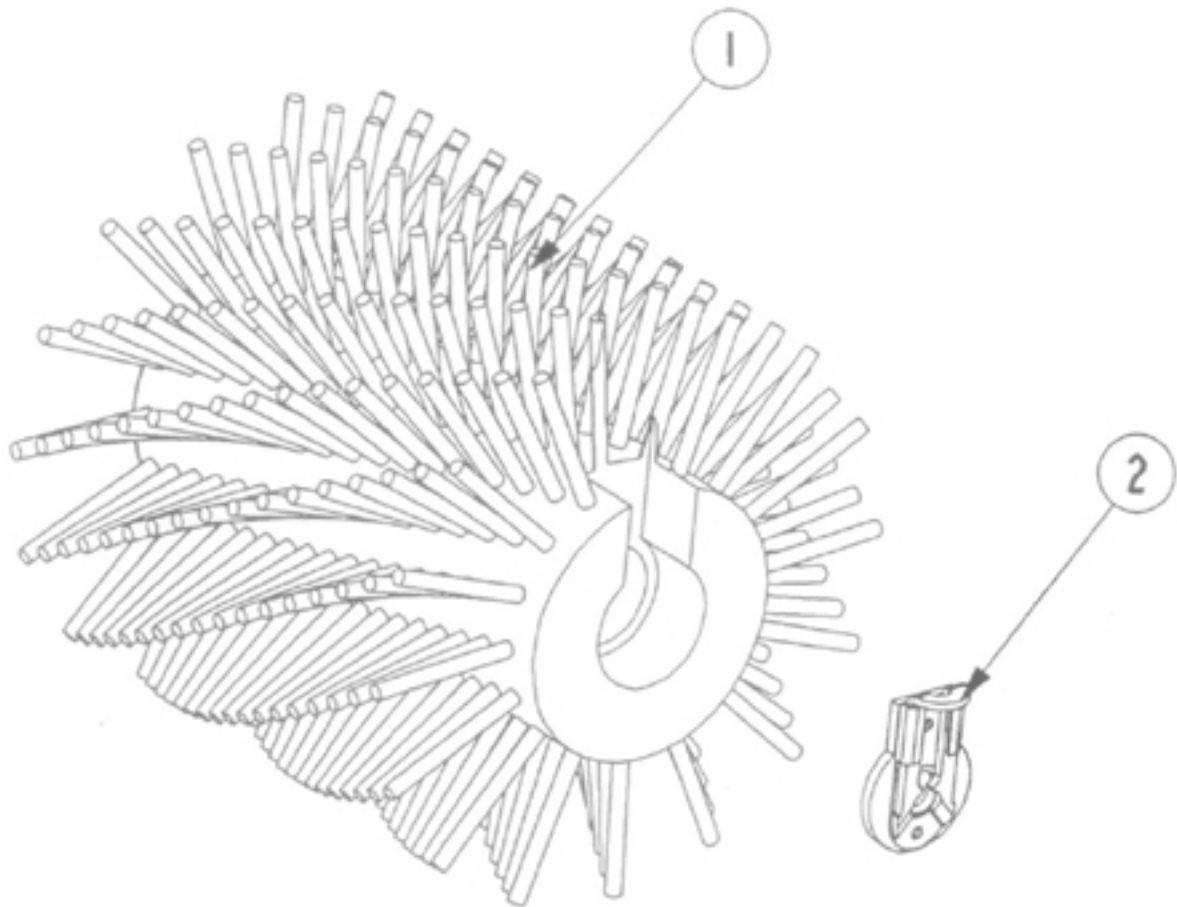
CAUTION - Tynex brushes are very aggressive, and only suitable for occasional use on aluminum escalators only. **Do not use** on escalators with a coated surface as damage may result.

X46 BRUSH KIT (NYLON)

A17

ITEM	DESCRIPTION	CIMEX PART NO.	TRUVOX PART NO.	QTY
1	X46 Brush Spirol 0.6 Nylon	4615	05-4096-0000	2
2	Brush Retaining Latch	661391	05-3913-0000	2

NOTE: Each brush is marked with (L)eft & (R)ight to indicate correct placement from operators position. If brushes are installed incorrectly, the debris will be pushed to outside of the machine.



Standard brush for minimum cleaning of Escalator/Travelator.



CIMEX-USA

281 Southwest Ave Tallmadge, Ohio 44278-2232

1-866-284-3255 Fax: 330-630-4030

Toll Free:1-866-284-3255

Guarantee MACHINE TYPE _____ SERIAL No. _____

Cimex-USA of Tallmadge, Ohio guarantees to the original purchaser of the machine described above against defects in material and workmanship for a period of (One Year) from the date of delivery. Subject to the conditions hereinafter contained, and provided the machine has not been dismantled or tampered with in any way, components and parts which prove to be defective during the period of guarantee will be repaired or replaced without charge.

Conditions of Guarantee:

- (1) This guarantee is only valid if the registration card is completed and returned to Cimex-USA
- (2) This guarantee is given to the original purchaser of the machine and remains valid only while the machine is in his possession and used by him; unless agreed by Cimex-USA in writing.
- (3) This guarantee does not apply to maintenance items, mis-use, neglect or accident.
- (4) Any defect must be notified to Cimex-USA or to your distributor immediately, and, in any event, within seven days of the expiration of the period of guarantee.
- (5) This guarantee is limited to repair or replacement of components and reasonable labor and transport expenses.
- (6) This guarantee is given in lieu of and excludes every condition or warranty not herein expressly set out and all liability for any form of consequential loss or damage is hereby expressly excluded,
- (7) Our employees and agents have no authority to vary the terms and conditions of this guarantee.



CIMEX-USA

281 Southwest Ave Tallmadge, Ohio 44278-2232

1-866-284-3255 Fax: 330-630-4030

Toll Free:1-866-284-3255

GUARANTEE REGISTRATION CARD

(PLEASE USE BLOCK LETTERS)

Date of delivery _____	Purchaser's Name _____
Machine Type _____	Address _____
Serial No. _____	_____

The above machine has been delivered and demonstrated to me and is working to my entire satisfaction. Please register your guarantee of this machine on my behalf. I accept the conditions upon which the guarantee is given as set out in the form of guarantee supplied to me.

Date _____	Signature _____
Phone _____	Printed _____
E-mail _____	