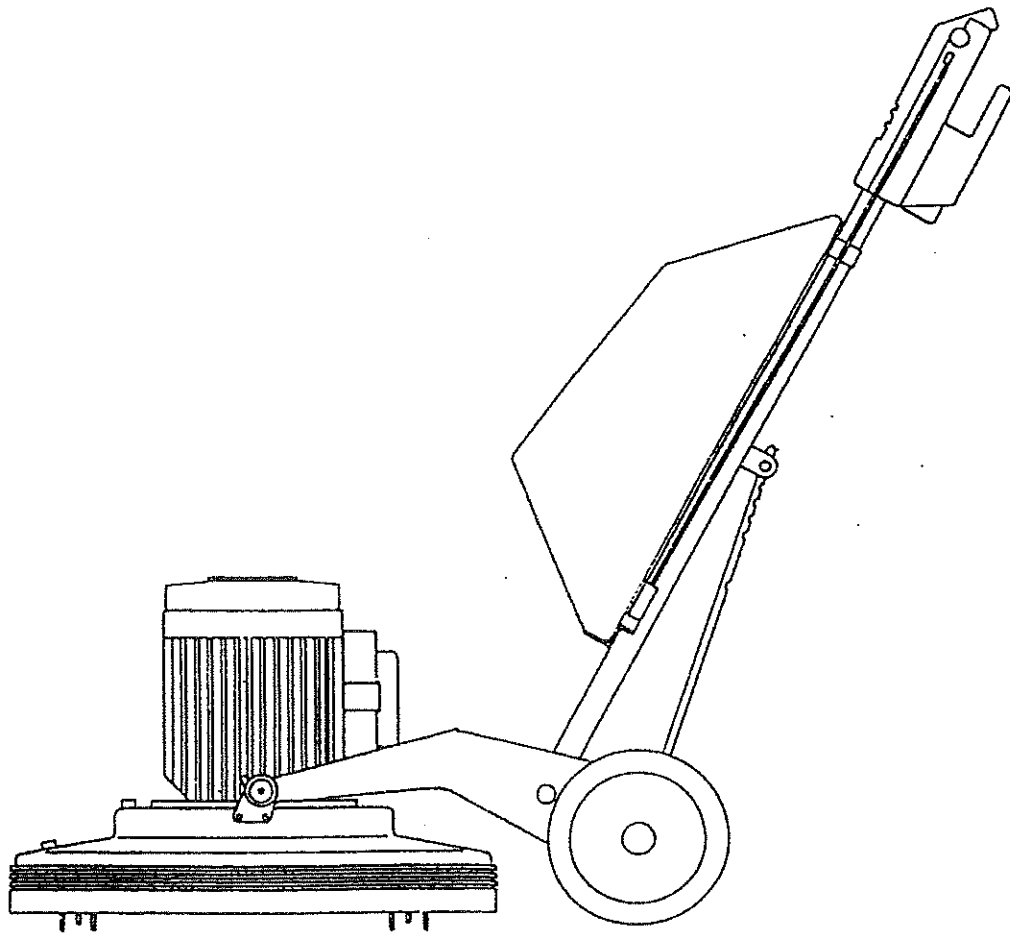
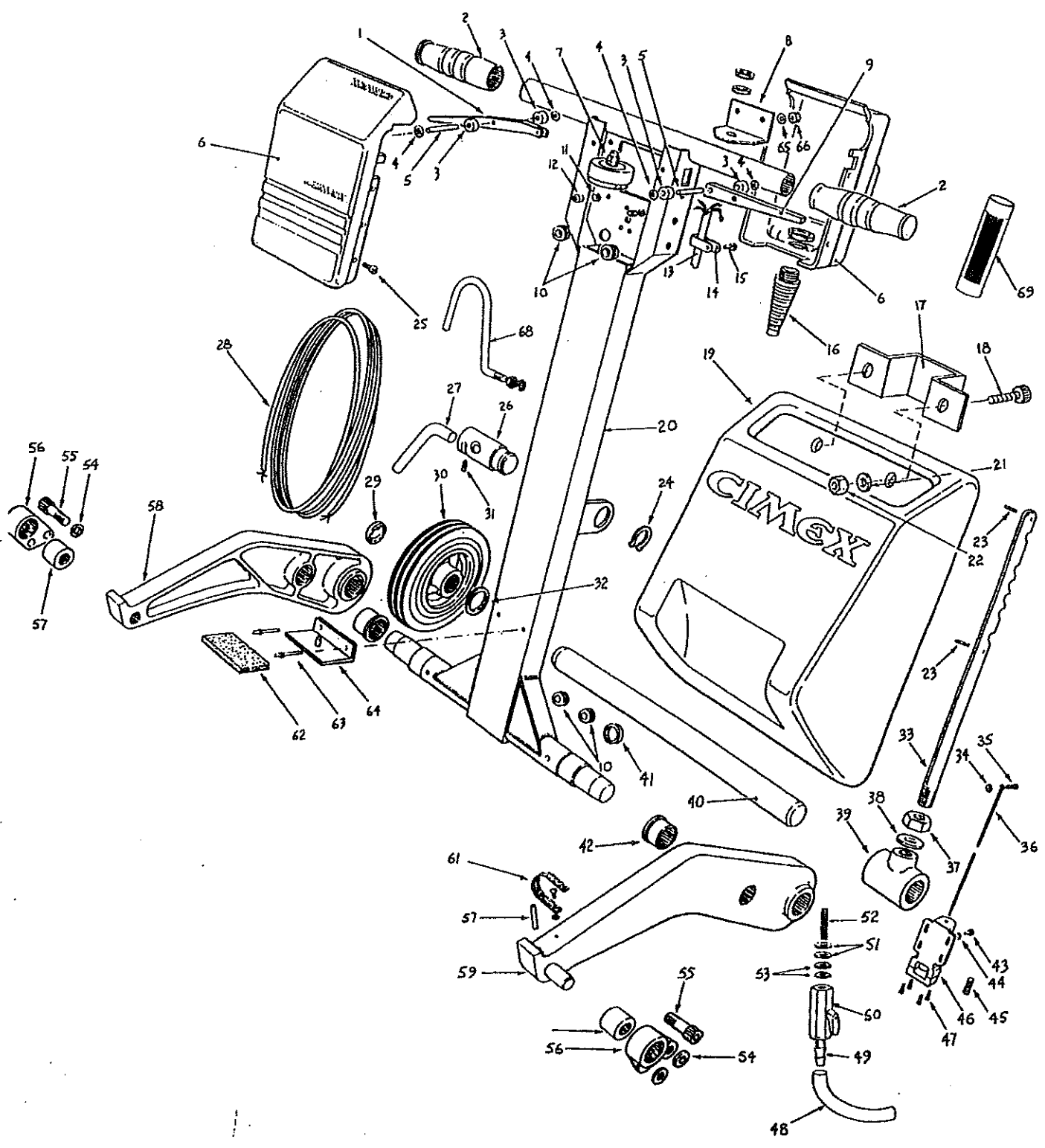
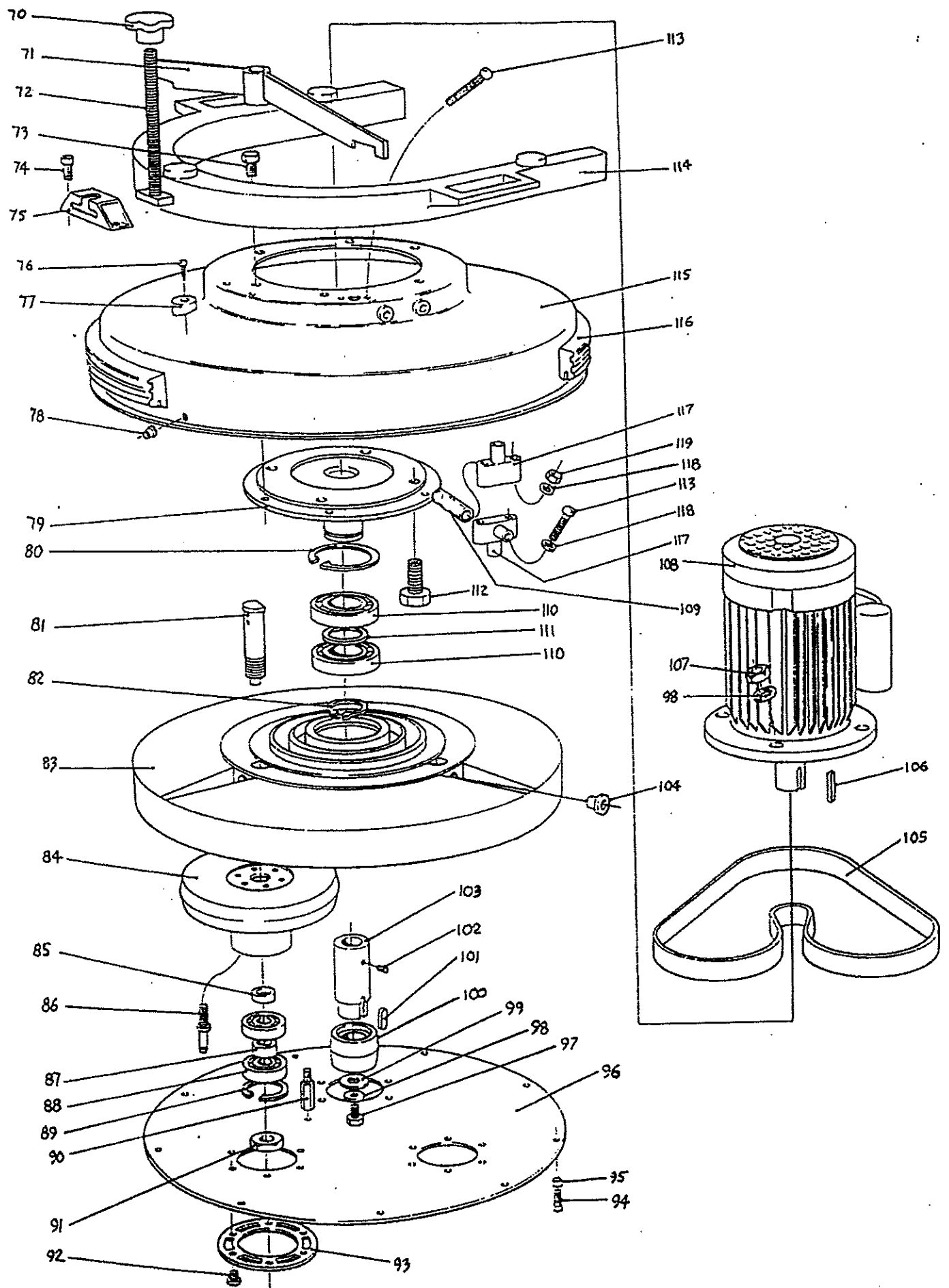


**CR61DF (USA)  
DIAMOND FINISHER  
ILLUSTRATED PARTS LIST**



**80336  
Issue 01**





## CR48DF/49 PARTS LIST

Part No 80336 Issue 01  
Page 1

| KEY | DESCRIPTION                                     | CIMEX Pt No | QTY  |
|-----|-------------------------------------------------|-------------|------|
| 1   | Switch Operating Lever                          | 40014       | 1    |
| 2   | Handle Grip                                     | 40007       | 1pr  |
| 3   | Lever Spacer                                    | 40057       | 4    |
| 4   | Starlock Washer                                 | 18031       | 6    |
| 5   | Pivot Pin                                       | 40058       | 2    |
| 6   | Switch Enclosure                                | 40047       | 1    |
| 7   | Marquard Switch                                 | 6751        | 1    |
| 8   | Switch Bracket                                  | 40046       | 1    |
| 9   | Water Valve Lever                               | 40050       | 1    |
| 10  | Grommet - 14.3mm ID                             | 40055       | 4    |
| 11  | Washer M4                                       | 26078       | 2    |
| 12  | M3 Nut                                          | 28766       | 4    |
| 13  | Handle Cable                                    | 13441       | 2.3m |
| 14  | P Clip                                          | 9331        | 2    |
| 15  | M3 x 10 Pan Head Screw                          | 28856       | 2    |
| 16  | Cable Restraint                                 | 40110       | 1    |
| 17  | Tank Bracket - Top                              | 40082       | 1    |
| 18  | M6 x 15 Bolt - S/S                              | 40172       | 2    |
| 19  | Water Supply Tank                               | 40036       | 1    |
| 20  | Handle                                          | 40015       | 1    |
| 21  | M6 x 20 Washer                                  | 28946       | 2    |
| 22  | M6 Nyloc Nut                                    | 45046       | 2    |
| 23  | Sellock Pin - $\frac{1}{8}$ " x $\frac{7}{8}$ " | 16186       | 2    |
| 24  | Circlip - $\frac{3}{4}$ " External              | 6010        | 1    |
| 25  | M5 x 16 Pan Head Screw - S/S                    | 21270       | 6    |
| 26  | Pivot                                           | 9749        | 1    |
| 27  | Locking Handle                                  | 9654        | 1    |
| 28  | Mains Cable                                     | 13441       | 15m  |
| 29  | Starlock Hub Cap                                | 9556        | 2    |
| 30  | Wheel                                           | 40006       | 2    |
| 31  | M5 x 10 Socket Set Screw - BZP                  | 9662        | 1    |
| 32  | Washer - $1\frac{7}{8}$ " OD x 1" ID            | 10166       | 4    |
| 33  | Swivel Clamp Rod                                | 40009       | 1    |
| 34  | M5 Nyloc Nut                                    | 21876       | 1    |
| 35  | M5 x 20 Screw                                   | 21283       | 1    |
| 36  | Water Valve Operating Rod                       | 40053       | 1    |
| 37  | M12 Locknut                                     | 9666        | 5    |
| 38  | M12 ID Washer                                   | 9694        | 1    |
| 39  | Tee Piece                                       | 40062       | 1    |
| 40  | Axle                                            | 40065       | 1    |
| 41  | Hole Plug                                       | 40090       | 1    |
| 42  | Nylon Bush                                      | 9107        | 2    |

| KEY | DESCRIPTION                           | CIMEX Pt No | QTY |
|-----|---------------------------------------|-------------|-----|
| 43  | M4 x 8 Pozi Pan Head Screw            | 26065       | 4   |
| 44  | M4 Washer                             | 26078       | 8   |
| 45  | Spring                                | 40051       | 1   |
| 46  | Water Valve                           | 40044       | 1   |
| 47  | No 4 x $\frac{5}{8}$ " Pozi Csk Screw | 40052       | 4   |
| 48  | Hose                                  | 40059       | 1m  |
| 49  | Valve Outlet                          | 40317       | 1   |
| 50  | Ball Valve                            | 40318       | 1   |
| 51  | Brass Washer $\frac{1}{2}$ " x 1"     | 8121        | 1   |
| 52  | Valve Insert                          | 40333       | 1   |
| 53  | Brass Nut $\frac{1}{4}$ BSP           | 8120        | 2   |
| 54  | M10 ID Washer                         | 20084       | 5   |
| 55  | M10 x 30 Socket Head Cap Screw - BZP  | 29520       | 4   |
| 56  | Pivot Bracket - R/H                   | 9353        | 1   |
|     | Pivot Bracket - L/H                   | 9354        | 1   |
| 57  | Clayflex Bearing                      | 9387        | 2   |
| 58  | Lifting Fork - R/H                    | 40152       | 1   |
| 59  | Lifting Fork - L/H                    | 40151       | 1   |
| 60  | Sellock Pin $\frac{1}{8}$ " x 1"      | 16089       | 2   |
| 61  | Earth Braid                           | 8138        | 2   |
| 62  | Tank Pad                              | 40054       | 1   |
| 63  | Rivet                                 | 9975        | 2   |
| 64  | Lower Tank Bracket                    | 40091       | 1   |
| 65  |                                       |             |     |
| 66  |                                       |             |     |
| 67  |                                       |             |     |
| 68  | Cable Hook                            | 9741        | 1   |
| 69  | Strylon Filter                        | 16261       | 1   |
| 70  | Clamp Knob                            | 17842       | 1   |
| 71  | Clamp Bar                             | 17839       | 1   |
| 72  | Clamp Bolt                            | 17840       | 1   |
| 73  | M6 x 12 Hex Head Set Screw - BZP      | 25356       | 4   |
| 74  | M8 x 12 Socket Cap Screw              | 20090       | 2   |
| 75  | Bracket - BZP                         | 17841       | 1   |
| 76  | M5 x 20 Pan Head Screw                | 28073       | 3   |
| 77  | Locating Pad                          | 9981        | 3   |
| 78  | Skirt Pin                             | 9858        | 6   |
| 79  | Spigot Plate                          | 40076       | 1   |
|     | Spigot Plate - for Leeson Motor only  | 49949       | 1   |
| 80  | Circlip - Internal 1300/75mm          | 9596        | 1   |
| 81  | Brush Spindle                         | 9239        | 3   |
| 82  | External Circlip - 1400/45mm          | 9672        | 1   |
| 83  | EDU Bowl                              | 40159       | 1   |
| 84  | Brush Pulley                          | 40027       | 3   |

| KEY | DESCRIPTION                                     | CIMEX Pt No           | QTY   |
|-----|-------------------------------------------------|-----------------------|-------|
| 85  | Spacer                                          | 9995                  | 3     |
| 86  | Brush Driving Pin                               | 40026                 | 12    |
| 87  | Spacer                                          | 9640                  | 3     |
| 88  | Bearing 6003-2RS                                | 9671                  | 6     |
| 89  | Circlip - 1300/35mm                             | 9463                  | 3     |
| 90  | Bottom Cover Spacer                             | 9631                  | 3     |
| 91  | M16 Nyloc Nut                                   | 28395                 | 3     |
| 92  | No 12 x 1/2" Pozi Pan Head Screw                | 9817                  | 18    |
| 93  | Dust Seal                                       | 8535                  | 3     |
| 94  | M5 x 12 Csk Pozi Screw                          | 9674                  | 12    |
| 95  | Cup Washer                                      | 9492                  | 12    |
| 96  | Bottom Cover Plate                              | 20003                 | 1     |
| 97  | M10 x 20 Hex Head Screw                         | 9643                  | 1     |
| 98  | M10 Shakeproof Washer                           | 9675                  | 4     |
| 99  | Washer - 1 1/4" x 3/8" x 16 SWG                 | 17549                 | 5     |
| 100 | Centre Pulley                                   | 9758                  | 1     |
| 101 | Round Ended Steel Key                           | 9402                  | 2     |
| 102 | M6 x 6 Socket Set Grub Screw                    | 9682                  | 1     |
| 103 | Motor Shaft Extension                           | 9979                  | 1     |
| 104 | Plastic Insert                                  | 9721                  | 3     |
| 105 | Belt                                            | <del>          </del> | 1     |
| 106 | Steel Key                                       | 17828                 | 1     |
| 107 | M10 Full Nut                                    | 28079                 | 4     |
| 108 | Motor - 1.5kw. 110v. 60Hz                       | 12680                 | 1     |
|     | Motor - 1.5kw (Leeson) from Ser No 420216 on... | 12690                 | 1     |
| 109 | Silicone Tube                                   | 40059                 | 0.04m |
| 110 | Bearing - 6009-2RS                              | 9645                  | 2     |
| 111 | Spacer                                          | 40024                 | 1     |
| 112 | M10 x 35 Hex Head Set Screw - BZP               | 20119                 | 4     |
| 113 | M4 x 25 Cheese Head Screw                       | 9678                  | 4     |
| 114 | Weight                                          | 17818                 | 2     |
| 115 | Shield                                          | 40042                 | 1     |
| 116 | Bumper Rubber                                   | 6955                  | 1.53m |
| 117 | Water Feed Elbow                                | 9179                  | 2     |
| 118 | M4 Washer                                       | 26078                 | 4     |
| 119 | M4 Full Nut                                     | 9679                  | 4     |
| 120 | M10 Locknut                                     | 28104                 | 2     |
|     | <u>Sub-assembly Part Numbers</u>                |                       |       |
|     | EDU Head Assembly                               | 661741                |       |
|     | Handle Assembly                                 | 661739                |       |
|     | Solution Tank                                   | 661607                |       |
|     | Skirt Assembly                                  | 661466                |       |
|     | <u>Motor capacitors</u>                         |                       |       |
|     | Run Capacitor (80µf 400/450v)                   | 12658                 |       |
|     | Start Capacitor (400µf 120/150v)                | 12657                 |       |