



**Metal Housekeeping Carts**



**9T59**



**9T60**



**9T61**



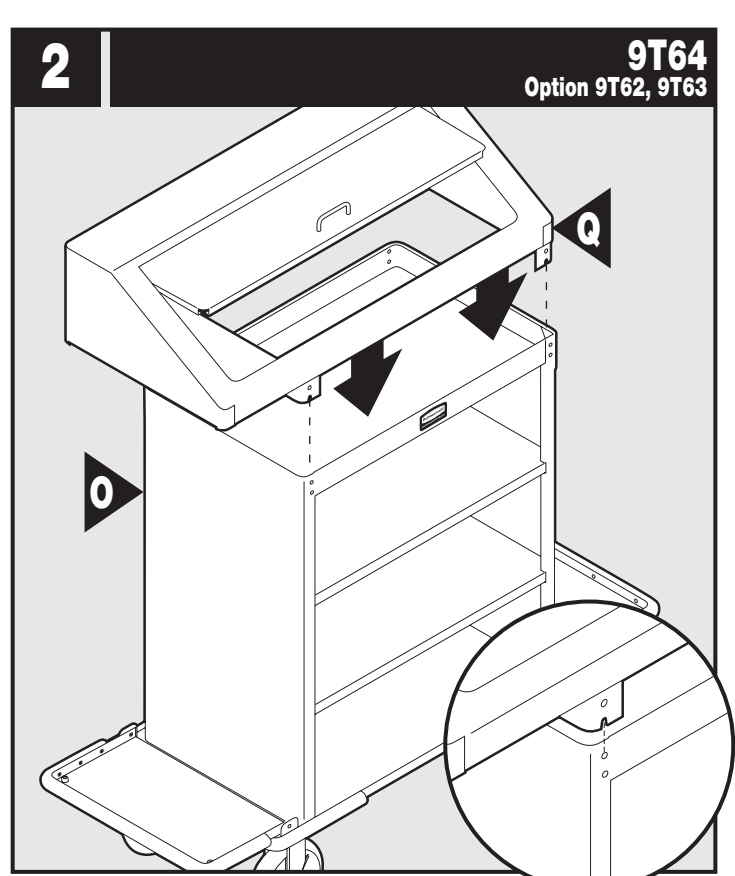
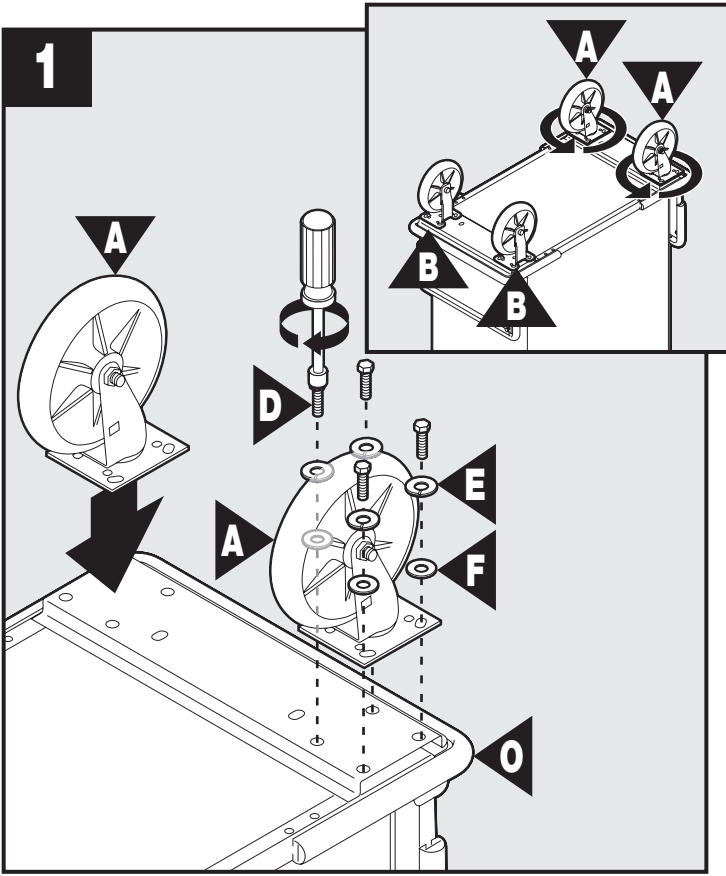
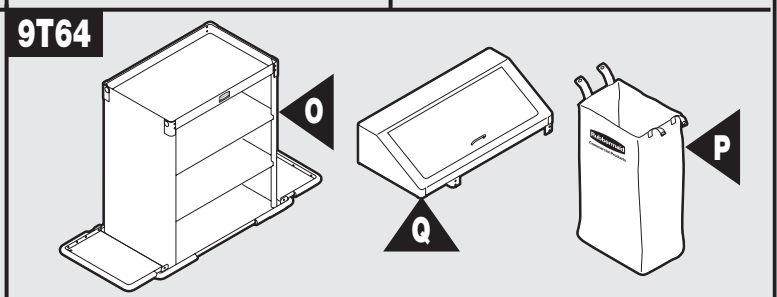
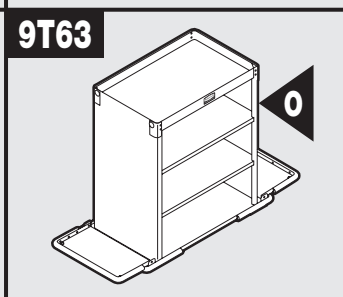
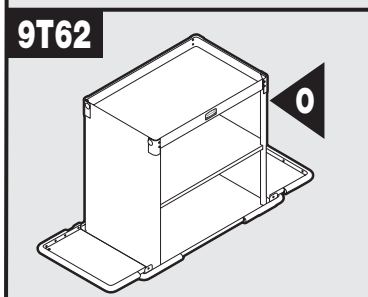
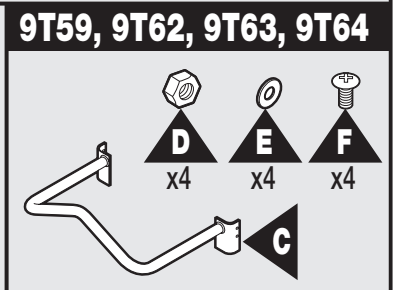
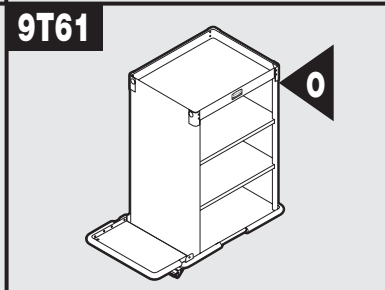
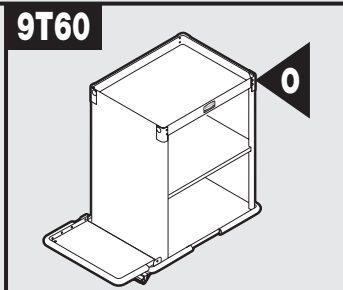
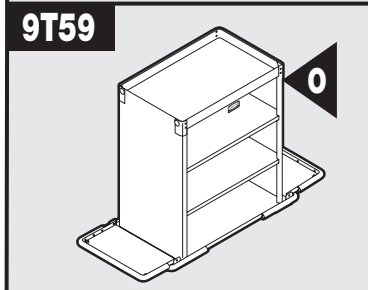
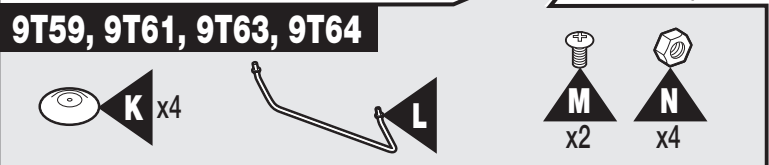
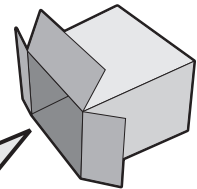
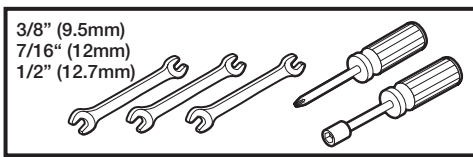
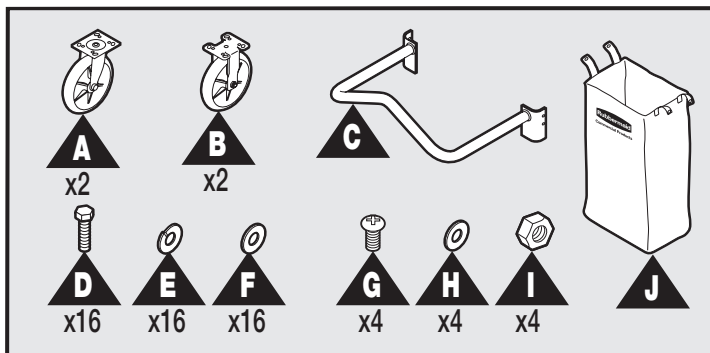
**9T62**

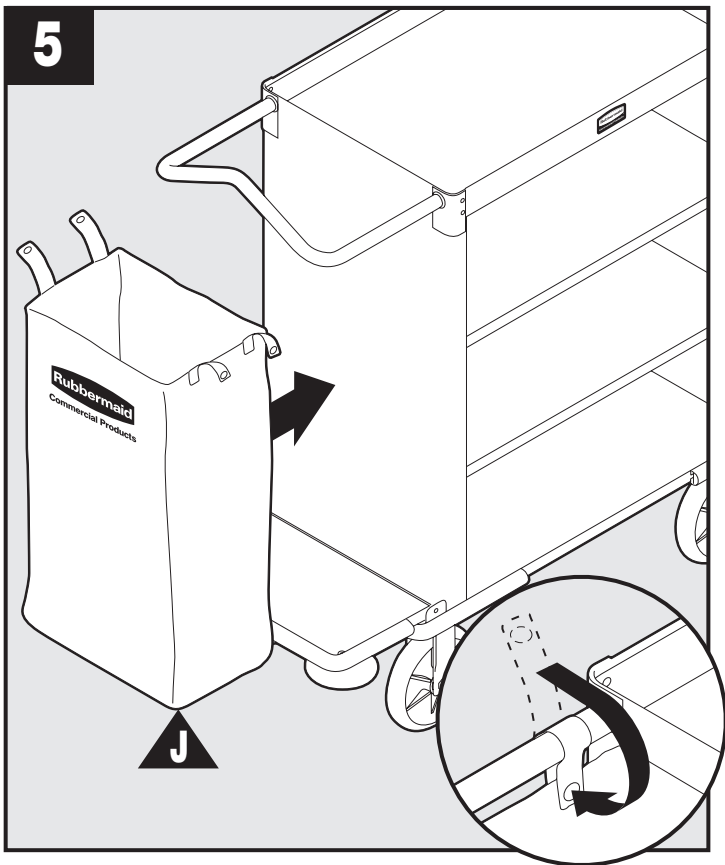
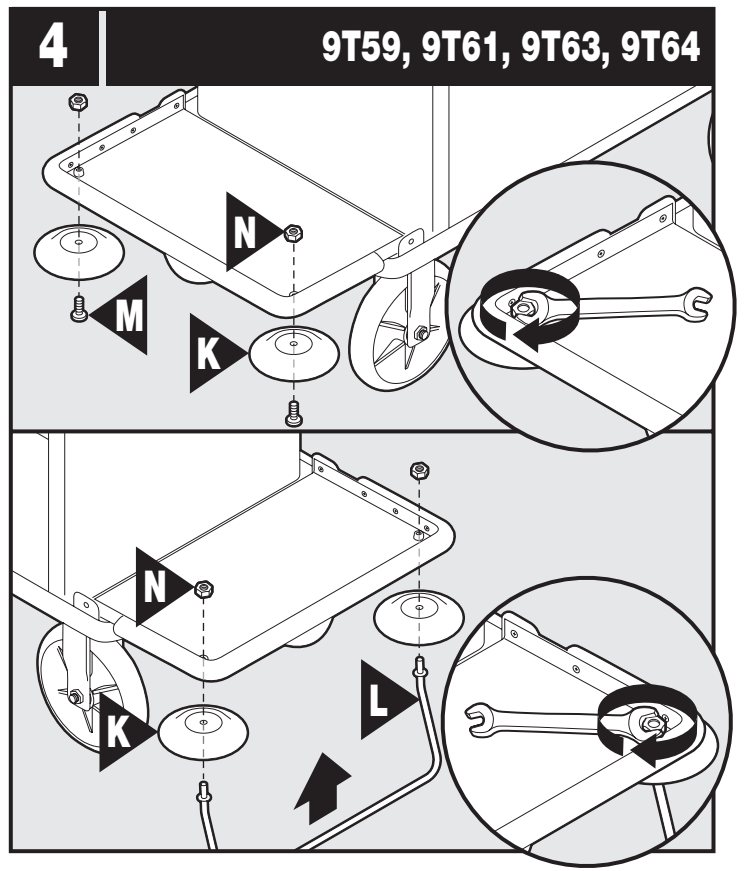
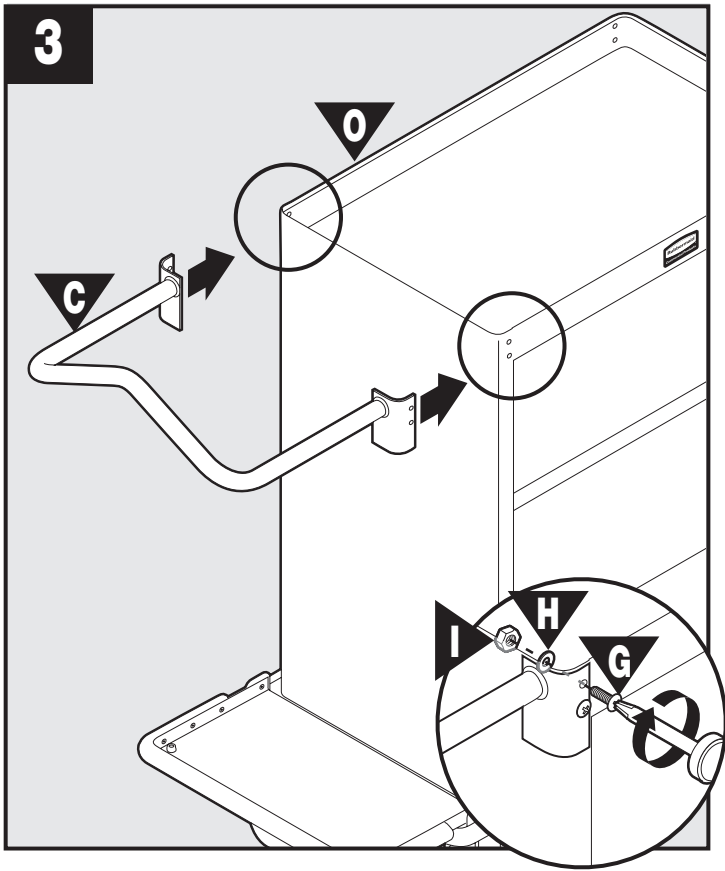


**9T63**



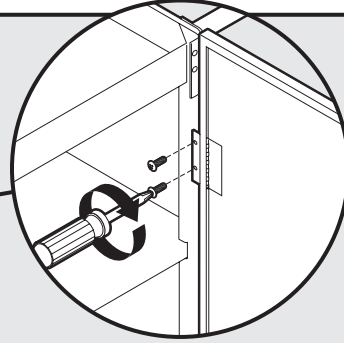
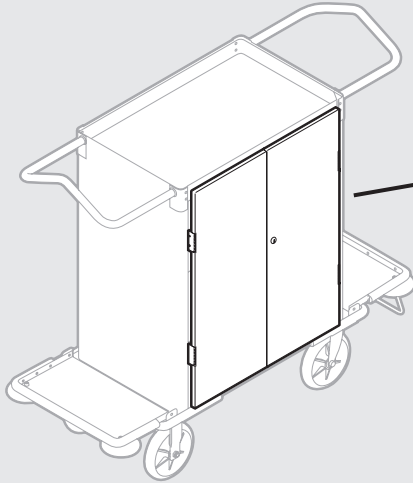
**9T64**





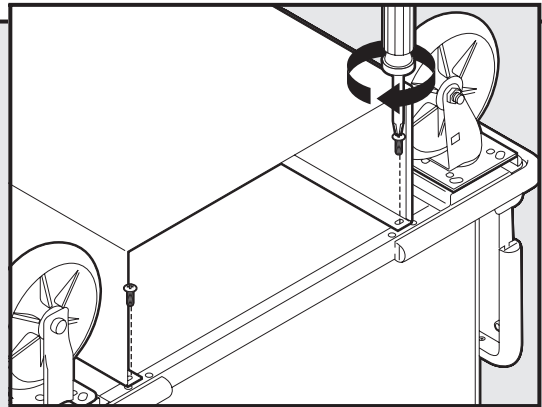
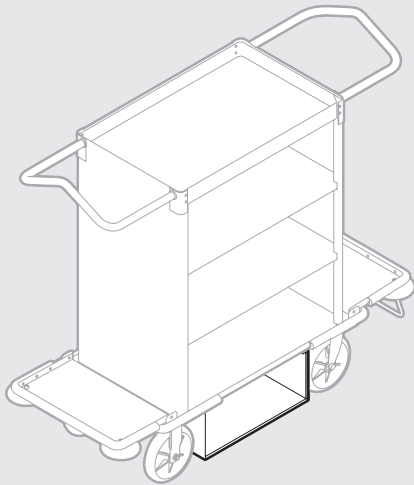
# Options

## FG6170



**9T59, 9T63, 9T64**

## FG6171



**9T62, 9T63, 9T64**

Products manufactured under quality management system registered to ISO 9001:2000

A **Newell Rubbermaid** Company

©2008 Rubbermaid Commercial Products LLC

Printed in U.S.A.

Product # 9T59, 9T60, 9T61, 9T62, 9T63, 9T64



Rubbermaid Commercial Products LLC

3124 Valley Avenue

Winchester, VA 22601 U.S.A.

Phone: 540-667-8700

Fax: 540-542-8770

[www.rubbermaidcommercial.com](http://www.rubbermaidcommercial.com) #70-9T60-00