



AMERICAN SPECIALTIES, INC.

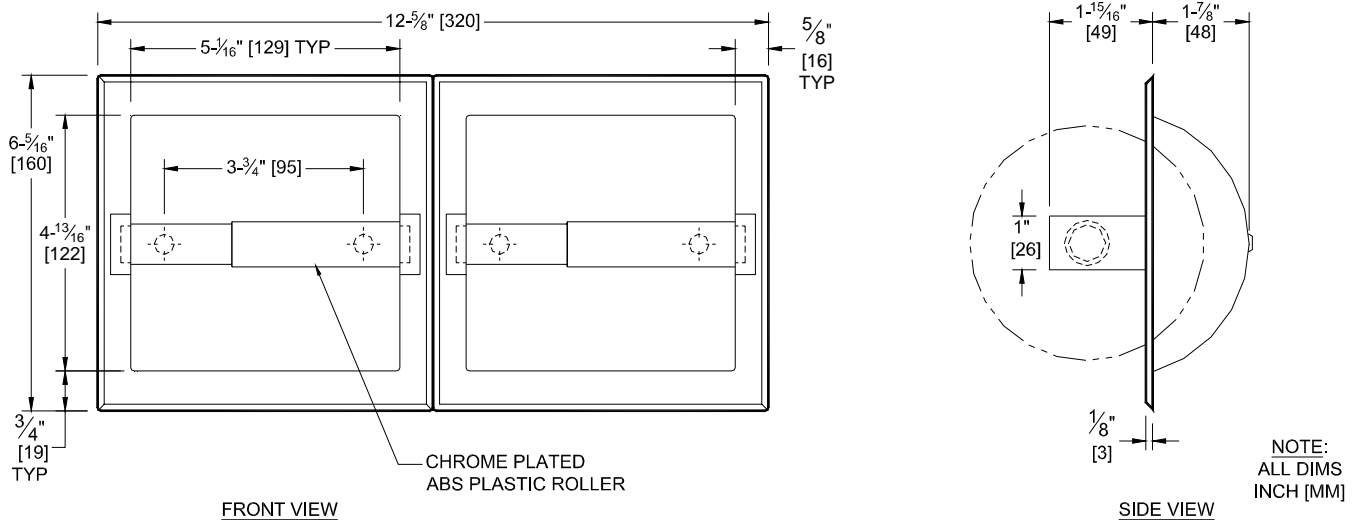
441 Saw Mill River Road, Yonkers, NY 10701 (914) 476-9000
www.americanspecialties.com

MODEL No: 74022

ISSUED: 01-87

REVISED: 12-06

RECESSED MOUNTED DUAL ROLL TOILET PAPER HOLDER



SPECIFICATION

Recessed Dual Roll Toilet Paper Holder shall hold and dispense all standard core roll tissue up to 6" diameter (Ø152) roll and shall be fabricated of stainless steel type 304 alloy 18-8. Outer shells shall have two (2) perforated lugs for wet wall anchoring or two (2) dimpled holes for dry wall installation each. Rollers shall be chrome plated high impact resistant ABS plastic and shall be spring-loaded. Mounting style shall be wet wall or dry wall as chosen by option and indicated by code suffix. All exposed surfaces shall be satin or bright finish as chosen by option and indicated by code suffix.

Recessed Mounted Dual Roll Toilet Paper Holder shall be Model N° 74022 of American Specialties, Inc., 441 Saw Mill River Road, Yonkers, New York 10701-4913

INSTALLATION

For Wet wall Recessed Mounting: Slop grout into rough wall opening. Apply grout to back of unit and on perforated lugs and push unit into opening to seat flange flush with wall face. Allow unit to set and grout to cure before use.

For Standard Dry Wall Recessed Mounting: Use four (4) N° 10 stainless steel Philips flat or oval head self tapping or wood screws (by others) of suitable length to penetrate blocking in back of RWO by approximately 1/2" (13). Apply a continuous bead of silicone sealant (by others) behind flange. Tighten screws to hold flange tight against finished wall face. Wipe off excess sealant immediately.

Optional Method for Dry Wall Recessed Mounting: Order two (2) separate items Model N° 39 dry wall clamps. Loosely attach clamps to the back of the unit with four (4) stainless steel Philips flat or oval head N° 10B (or 10AB or 10BP) self tapping screws (provided by others to suit wall conditions) through dimpled holes at back of shell. Apply a continuous bead of silicone sealant (by others) behind flange. Insert into RWO and adjust clamps so that they grip inside wall surface through opening. Secure accessory to clamps and wall by tightening screws. Wipe off excess sealant immediately.

For compliance with ADA Accessibility Guidelines install unit with centerline of rollers 19" (483) min AFF to 42" (1067) max AFF and 7" (178) min to 9" (229) max from front of commode to centerline of dispenser.

Rough Wall Opening (RWO) required is 11-3/4" W x 5-1/2" H x 2" D (298 x 140 x 51)

OPTIONS

Optional finish and mounting style must be specified as either bright or satin and wet or drywall. Specify finish and mounting by adding code suffixes to model number (i.e. 74022-SD or 74022-SW or 74022-BD or 74022-BW).

Option	B		D		S		W	
Specifies	Bright Finish		Dry wall holes		Satin Finish		Wet wall lugs	

Accessory Specialties

AMERICAN DISPENSER

Desert Ray Products

WATROUS INC.