



**AMERICAN SPECIALTIES, INC.**

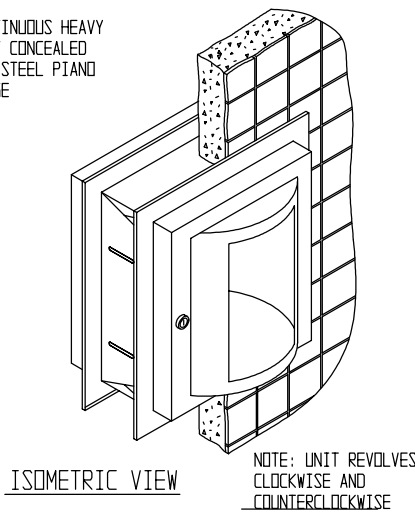
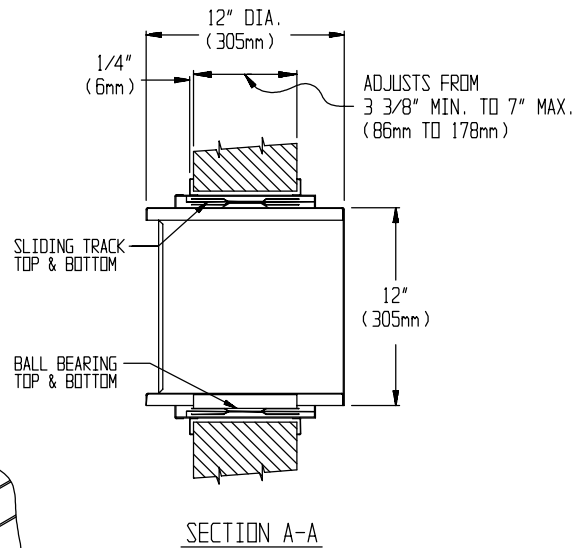
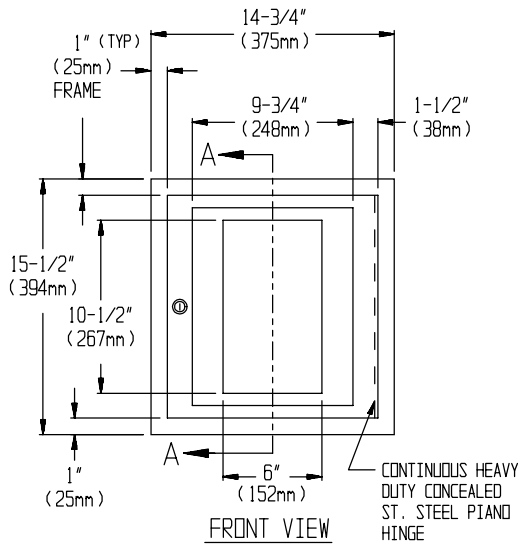
441 Saw Mill River Road, Yonkers, NY 10701 (914) 476-9000

MODEL No: 0515

ISSUED: 1-87

REVISED: 9-04

**SPECIMEN TURNTABLE PASS BOX (pg 1/2)**



**SPECIFICATION**

Specimen Turntable Pass Box shall receive objects up to 5-7/8" W x 10-7/16" H x 10" D (149mm x 265mm x 254mm) and shall rotate 360° between catch stops in either direction. Turntable shall be a fully enclosed compartment with only its 6" x 10-1/2" (152mm x 267mm) pass door open and shall be track mounted with ball bearing rotation mechanism at top and bottom. Turntable retaining door shall be hung on side with a 3/16" (5mm) dia. stainless steel multi-staked piano hinge and shall be held closed with a tumbler lock keyed alike to other ASI washroom equipment. Unit shall be fabricated of alloy 18-8 stainless steel, type 304 (frame shall be 18 gauge; trim shall be 22 gauge) and all exposed surfaces shall have N°4 satin finish and be protected during shipment with a PVC film easily removable after installation. Trim shall adjust for wall thickness of 3-3/8" (86mm) minimum to 7" (178mm) maximum and shall be of one-piece construction with no miters or welding 1" (25mm) wide and returning 1/4" (6mm) to finished wall.

**Specimen Turntable Pass Box shall be Model N°0515 as manufactured by American Specialties, Inc. 441 Saw Mill River Road Yonkers, New York 10701-4913.**



# AMERICAN SPECIALTIES, INC.

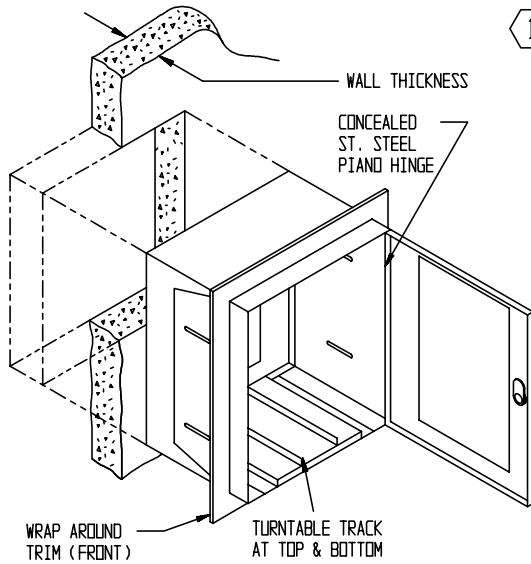
441 Saw Mill River Road, Yonkers, NY 10701 (914) 476-9000

MODEL No: 0515

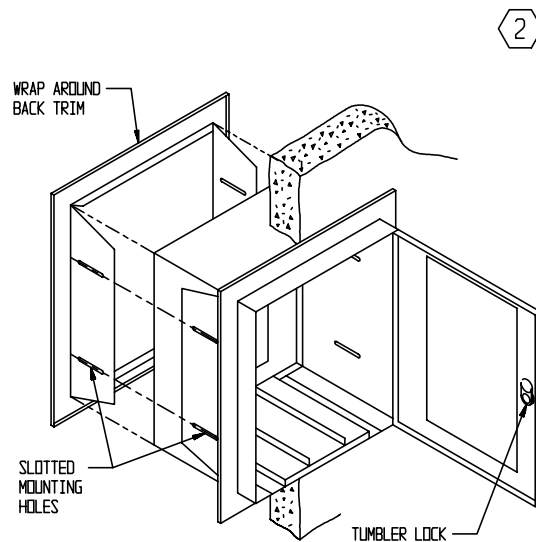
ISSUED: 1-87

REVISED: 9-04

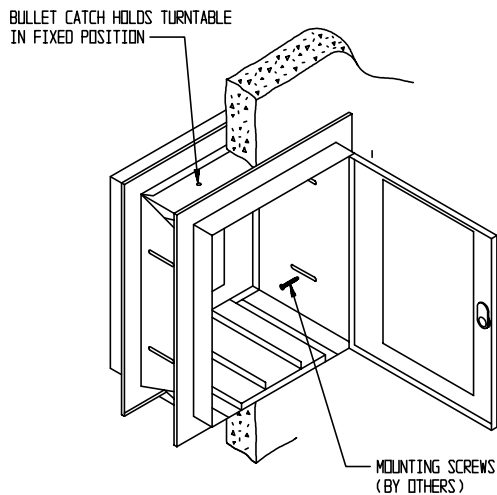
## SPECIMEN TURNTABLE PASS BOX (pg 2/2)



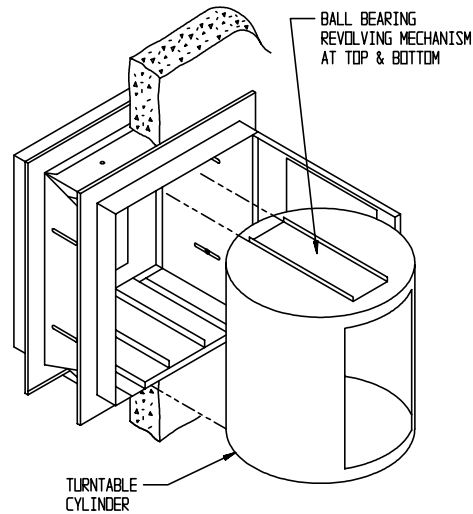
INSERT TURNTABLE BOX INTO WALL OPENING WITH WRAP AROUND TRIM ALREADY ON UNIT



MOUNT AND ADJUST WRAP AROUND BACK TRIM TO WALL THICKNESS



SECURE TO WALL WITH MOUNTING SCREWS THRU SLOTTED HOLES



INSERT CYLINDER INTO CORRESPONDING TRACKS AT TOP & BOTTOM OF BOX. CLOSE & LOCK DOOR.

### INSTALLATION

Adjustable trim accommodates wall thickness of 3-3/8" to 7" (86mm to 178mm).

**Rough Wall Opening (RWO) required is...13-1/4" W x 14" H (337mm x 356mm) x 3-3/8" to 7" wall thickness (86mm to 178mm).**

### OPERATION

Specimen container is placed inside the turntable cylinder and is then manually rotated clockwise or counterclockwise 180° to present the container to the rear opening. Access to the unit is gained by unlocking and opening the door.

Accessory Specialties

AMERICAN DISPENSER

Desert Ray Products

WATROUS INC.